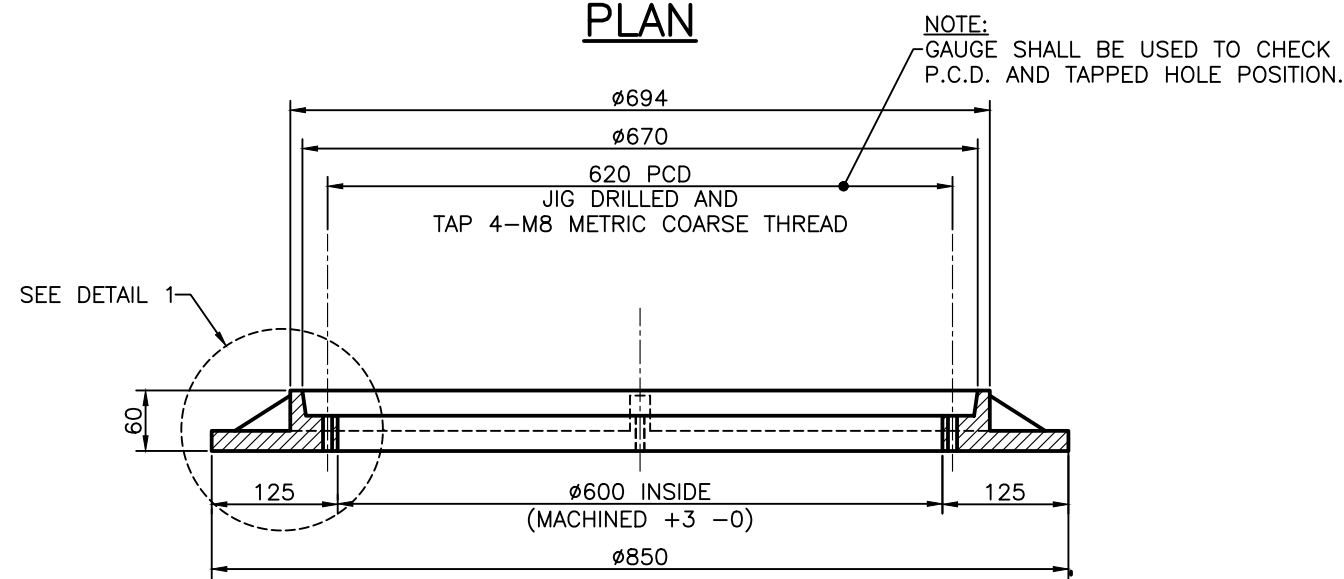
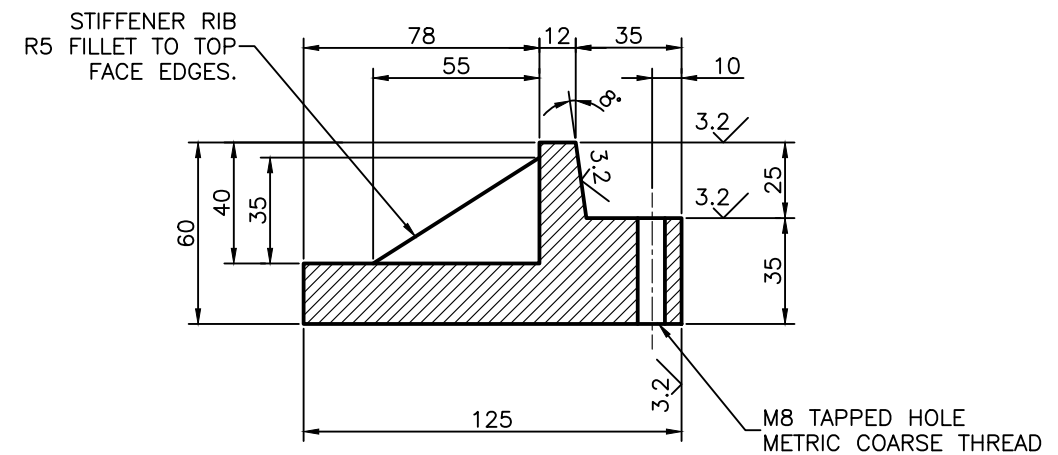


PLAN



SECTION A-A
SCALE NTS



DETAIL 1

SPECIAL NOTE – ROADWAY USE
COVERS, FRAMES AND 35mm RISER RINGS (MIN.) TO BE SUPPLIED ASSEMBLED.
(RISER MUST BE USED WITH FRAME WHEN USED WITH ROADWAY MANHOLE COVER)

NOTES:

- ALL EDGES TO BE SQUARE.
- CASTING TO BE FREE OF BURRS AND PITS.
- MATERIAL**
GREY CAST IRON (AS 1830)
TENSILE STRENGTH: T220
HARDNESS: 145–185 (HB)
DESIGN LOAD: 210kN (AS 3996)
MASS: 59.5Kg
- TOLERANCES**
CAST SIZE: ±1.00mm
ANGLE PROFILE: ±0.25°
MACHINED SIZE: ±0.125mm
OVERALL DIAMETER OF COVER: +0mm–0.25mm
DRY FILM THICKNESS (DFT) OF COATING: 50µm
- MACHINE SURFACE SYMBOL: 3.2/
- ALL MACHINED SURFACES SHALL HAVE A COATING APPROVED AS FIT FOR THE PURPOSE OF PROVIDING A RUST PROOF, NON-STICK AND GAS/WATER PROOF JOINT. (HAVTEC-HS1 OR SIMILAR)
- DIMENSIONS IN MILLIMETRES (U.N.O.).

ISSUE	AMENDMENT	DRAWN DATE	CHK'D DATE	APPR'D DATE
C	Special Note & Note 4 Amended,	DJL 12/09	GM 03/10	GB 04/10
B	Special Note Added	DJL 02/09	GB 09/09	PC 9/09
A	ORIGINAL ISSUE	April '01	May '01	June '01

DESIGN AUTHORISED FOR ISSUE B. BALL SIGNATURE ON ORIGINAL DATED 29/6/01				DESIGN	STD DWG GROUP	DATE	April '01
MANAGER ASSET SUPPORT - R.P.E.Q: 3 8 5 2 DESIGN APPROVED				DRAWN	CITY DESIGN	DATE	April '01
B. HANSEN SIGNATURE ON ORIGINAL DATED 27/6/01				CHECKED	M. STEER	DATE	May '01
PRINCIPAL ASSET OFFICER ROADS & DRAINAGE				DRAWING FILENAME	UMS 325		
				ASSOCIATED PLANS	SUPERSEDES WS 51-6		



BRISBANE CITY COUNCIL STANDARD DRAWING

MANHOLE FRAME (ROADWAY & NON-ROADWAY) 1050 TO 1500 DIAMETER

SCALE	NOT TO SCALE
DWG No.	UMS 325
ORIGINAL SIZE	A3
REVISION	C