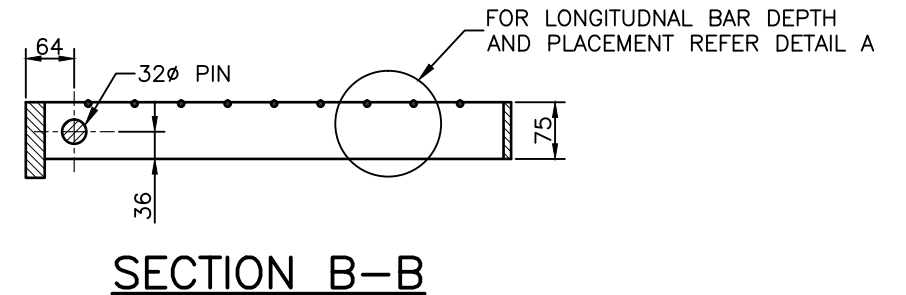
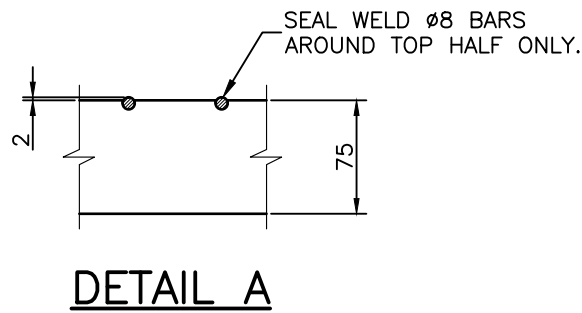


**LOCKING DEVICE  
DETAIL (GRATE)**



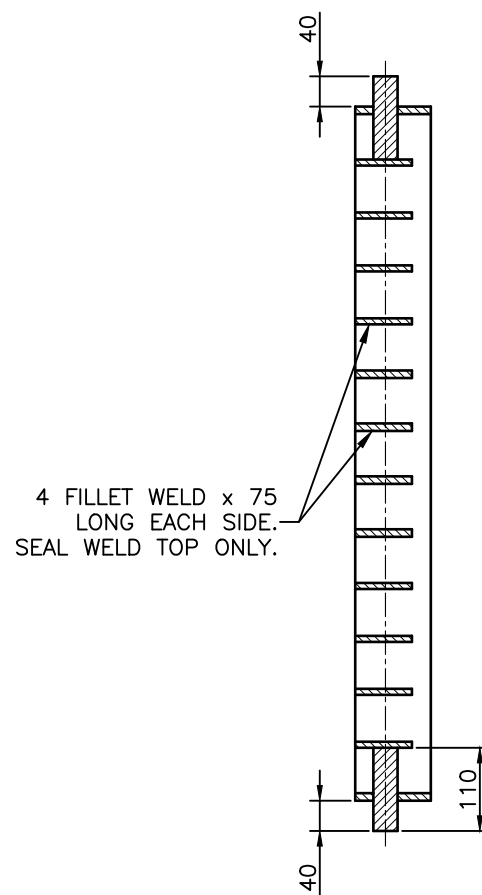
**SECTION B-B**

**NOTES:**

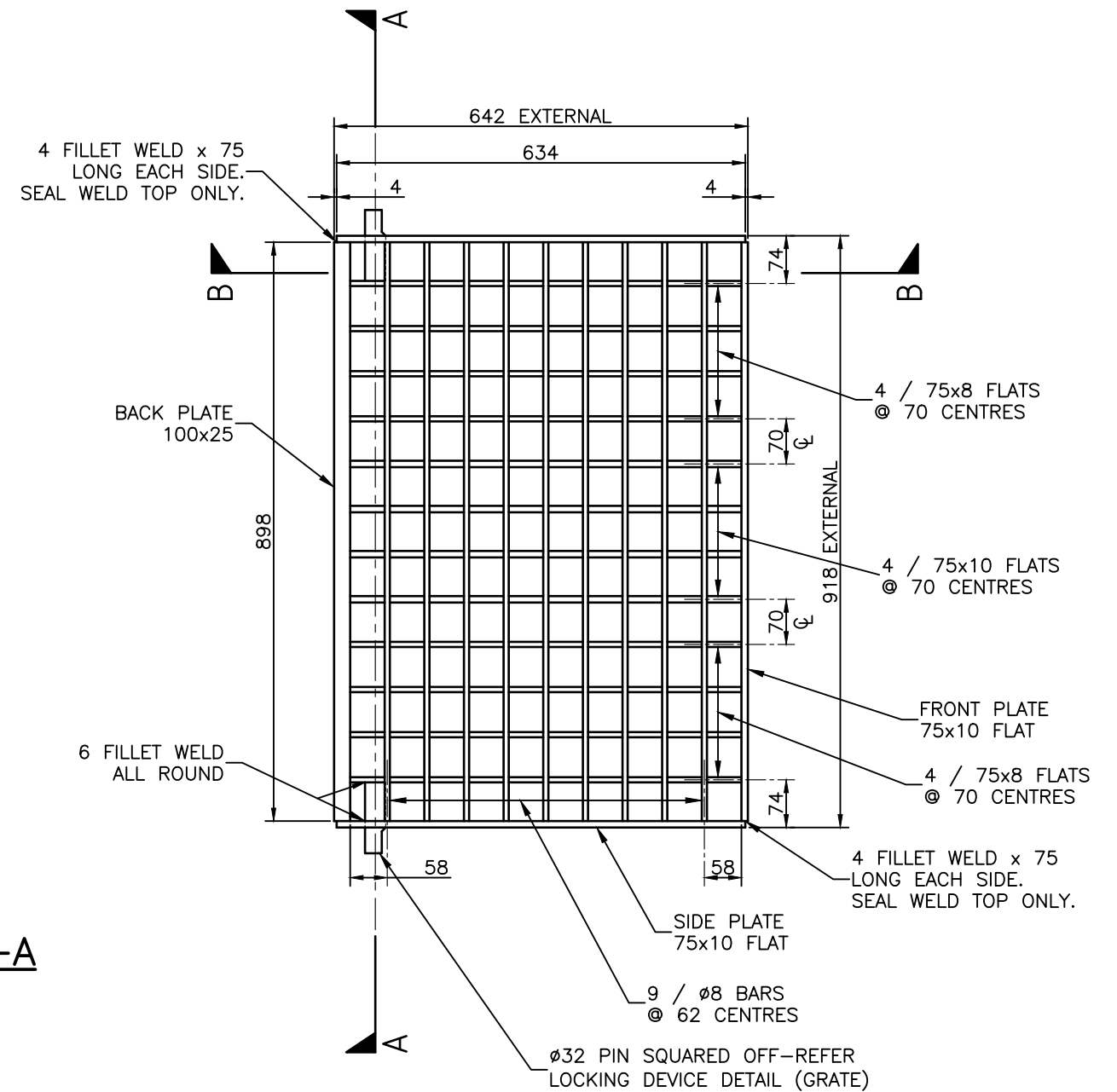
1. MASS OF GRATE: 72.5kg
2. GRATE STEEL TO BE GRADE 300 STRUCTURAL STEEL TO AS/NZS3679.1.
3. GRATE TO BE HOT DIP GALVANISED TO AS4680.
4. ALL WELDS TO BE 4 CFW UNLESS NOTED OTHERWISE.
5. GRATE TO HAVE PERMANENT VISIBLE MARKING INDICATING STANDARD (AS3996), MANUFACTURER, GRATE CLASS, DATE OF MANUFACTURE AND/OR BATCH No. AND MASS AS PER AS3996.
6. TOLERANCES SPECIFIED FOR THE LOCKING DEVICE BOTH IN THE FRAME AND HINGE PIN ARE REQUIRED FOR EFFECTIVENESS AND RELIABILITY.
7. OTHER TOLERANCES TO ± 2.
8. GRATES TO COMPLY WITH AS3996, CLASS 'D' AND BE CLASSIFIED 'BIKE SAFE' IN ALL DIRECTIONS (SATISFY BICYCLE TYRE PENETRATION TEST IN ALL DIRECTIONS).
9. GRATE TO BE FULLY COMPATIBLE AND INTERCHANGABLE WITH BCC STANDARD TYPE 'A' GULLY FRAME – REFER UMS 333 FOR DETAILS.
10. ALL DIMENSIONS IN MILLIMETRES (U.N.O.).

**SPECIAL NOTE:**

BRISBANE CITY COUNCIL PROPRIETARY DESIGN  
REFER ALSO TO REFERENCE SPECIFICATION FOR CIVIL ENGINEERING WORKS S160-DRAINAGE.



**SECTION A-A**



**PLAN**

D	Notes Renumbered, Special Note Amend	GMcA 9/10	GMcA 9/10	GB 09/10
C	Additional Longitudinal Bars Add, Detail A Add, Note 1 & Special Note Amend, Grate Raised, Title Mod	DJL/GMcA 07/07	BH 08/07	BH 08/07
B	Note 9 Added	DL 01/03	CD 02/03	BH 02/03
A	ORIGINAL ISSUE	April '01	May '01	June '01
ISSUE	AMENDMENT	DRAWN DATE	CHK'D DATE	APPR'D DATE

DESIGN AUTHORIZED FOR ISSUE B. BALL SIGNATURE ON ORIGINAL DATED 29/6/01	DESIGN	STD DWG GROUP	DATE	April '01
MANAGER ASSET SUPPORT - R.P.E.Q: 3 8 5 2 DESIGN APPROVED B. HANSEN SIGNATURE ON ORIGINAL DATED 27/6/01	DRAWN	CITY DESIGN	DATE	April '01
PRINCIPAL ASSET OFFICER ROADS & DRAINAGE	CHECKED	M. STEER	DATE	May '01
	DRAWING FILENAME	UMS 332		
	ASSOCIATED PLANS	SUPERSEDES UMS 52-2		



**BRISBANE CITY COUNCIL STANDARD DRAWING**

**TYPE 'A' GULLY GRATE**  
(HINGED, CLASS 'D', BIKE SAFE IN ALL DIRECTIONS)

SCALE: NOT TO SCALE  
DWG No. UMS 332  
ORIGINAL SIZE: A3 REVISION: D