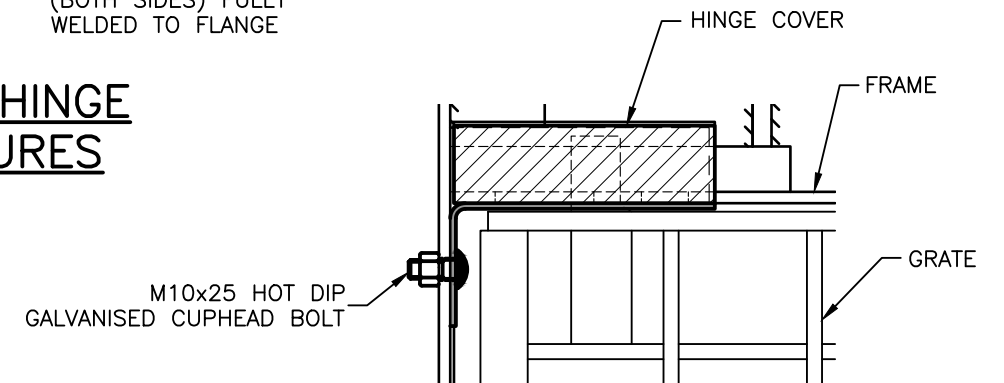


DETAIL OF HINGE PIN CLOSURES



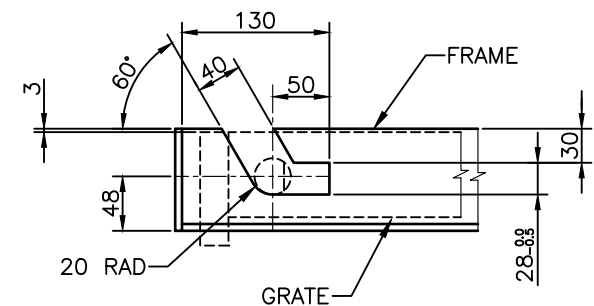
DETAIL OF HINGE COVER AND BOLT

NOTES:

1. MASS OF FRAME: 30kg
2. FRAME STEEL TO BE GRADE 300 STRUCTURAL STEEL TO AS/NZS3679.1.
3. FRAME TO BE HOT DIP GALVANISED TO AS4680.
4. ALL WELDS TO BE 4 CFW UNLESS NOTED OTHERWISE.
5. TOLERANCES SPECIFIED FOR THE LOCKING DEVICE BOTH IN THE FRAME AND HINGE PIN ARE REQUIRED FOR EFFECTIVENESS AND RELIABILITY.
6. OTHER TOLERANCES TO ± 2mm.
7. REFER UMS 332 FOR BCC STANDARD TYPE 'A' GULLY GRATE DETAILS.
8. ALL DIMENSIONS IN MILLIMETRES (U.N.O.).

SPECIAL NOTE:

BRISBANE CITY COUNCIL PROPRIETARY DESIGN
 REFER ALSO TO REFERENCE SPECIFICATION FOR CIVIL ENGINEERING WORKS S160-DRAINAGE.



LOCKING DEVICE DETAIL (FRAME)

ISSUE	AMENDMENT	DRAWN DATE	CHK'D DATE	APPR'D DATE
C	Notes Renumbered, Special Note Modified	GMcA 09/10	GMcA 09/10	GB 09/10
B	Special Note Modified & Grate Raised	GMcA 07/07	BH 08/07	BH 08/07
A	ORIGINAL ISSUE	April '01	May '01	June '01

DESIGN AUTHORISED FOR ISSUE B. BALL SIGNATURE ON ORIGINAL DATED 29/6/01					
DESIGN	STD DWG GROUP	DATE	April '01		
DRAWN	CITY DESIGN	DATE	April '01		
CHECKED	M. STEER	DATE	May '01		
DRAWING FILENAME	UMS 333				
ASSOCIATED PLANS	SUPERSEDES UMS 52-3				
MANAGER ASSET SUPPORT - R.P.E.Q. 3 8 5 2 DESIGN APPROVED B. HANSEN SIGNATURE ON ORIGINAL DATED 27/6/01 PRINCIPAL ASSET OFFICER ROADS & DRAINAGE					



BRISBANE CITY COUNCIL STANDARD DRAWING

TYPE 'A' GULLY FRAME

SCALE: NOT TO SCALE
 DWG No. UMS 333
 ORIGINAL SIZE: A3 REVISION: C