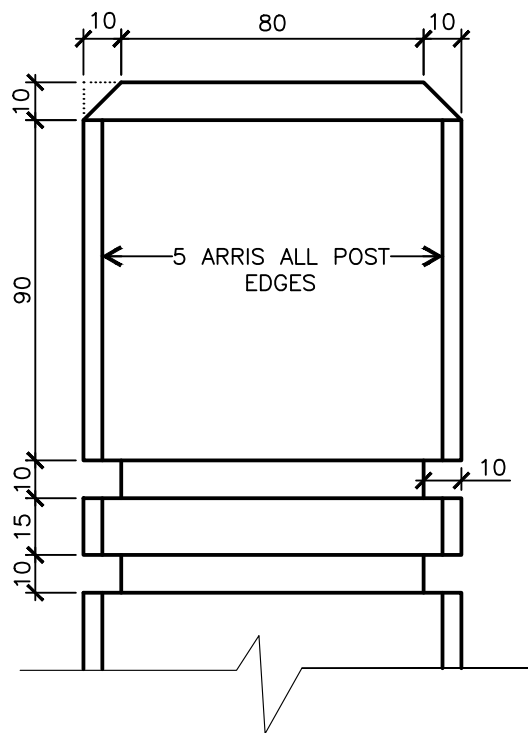


HERITAGE BOLLARD – SECTION



POST TOP – DETAIL ELEVATION
SCALE 1:2

GENERAL NOTES

- G1. ENSURE BOLLARDS ARE LOCATED AND LANDSCAPED IN ACCORDANCE WITH DETAILED LANDSCAPE PLAN, AND SUBDIVISION AND DEVELOPMENT GUIDELINES.
- G2. ENSURE BOLLARDS ARE CLEANED OF CONCRETE SLURRY OR SPRAY WHEN INSTALLED TO PREVENT STAINING OR DAMAGE TO APPLIED FINISHES.
- G3. ALL DIMENSIONS IN MILLIMETRES (U.N.O.).

TIMBER NOTES

- T1. ALL TIMBER TO BE ACQ TREATED ROUGH SAWN APPEARANCE GRADE HARDWOOD OF ONE SPECIES.
- T2. ALL EXPOSED EDGES TO RECEIVE MIN. 5mm WIDE ARRIS.
- T3. PRIOR TO INSTALLATION, ALL CUTS, EDGES, JOINTS TO RECEIVE LIBERAL COATINGS WITH AN APPROVED TIMBER PRESERVATIVE.
- T4. ALL TIMBER IN CONTACT WITH GROUND TO BE PRESERVATIVE TREATED TO HAZARD CLASS H4 TO AS1604.1-2000 AND HAVE A DURABILITY CLASS 1 OR 2 TO AS5604-2003.
- T5. ALL TIMBER TO BE FREE OF KNOTS, SPLINTERS, CRACKS OR ANY MAJOR DEFECT.
- T6. TIMBER FINISHES AS SPECIFIED – WHERE NO FINISH SPECIFIED, ALL TIMBER TO RECEIVE 3 No COATS OF CLEAR APPROVED TIMBER PRESERVATIVE.
- T7. COLOUR SELECTION WHERE APPLICABLE IN ACCORDANCE WITH STANDARD CORPORATE COLOUR PALETTE. COAT ENTIRE BOLLARD PRIOR TO PLACING.

RECYCLED PLASTIC MATERIAL NOTES

- P1. SECTIONS TO BE FORMED FROM A SINGLE, CONTINUOUSLY EXTRUDED PIECE.
- P2. MATERIAL TO BE UV STABILISED.
- P3. POROSITY TO A MAXIMUM OF 15% OF CROSS SECTION.
- P4. MAXIMUM VOID LENGTH 10% OF LARGEST CROSS SECTION.
- P5. SURFACE FINISH TO BE SMOOTH AND FREE OF ANY MAJOR VOIDS OR VISIBLE DEFECTS.
- P6. SIZE IS INDICATIVE – VARIANCE NOT TO EXCEED APPROX 1.5%.
- P7. COLOUR TO BE CHOSEN FROM AVAILABLE SUPPLIER COLOURS, TYPICALLY GREEN, BLACK, GREY OR BLUE.
- P8. MATERIAL TO HAVE FLAMMABILITY TESTING TO AS ISO TO AS/ISO 9239.1 AND/OR FIRE HAZARD RATING TO AS/NZS1530.3.
- P9. DEMONSTRATED CHEMICAL RESISTANCE.

SPECIFICATION

- S1. SPACE BOLLARDS @ 1500mm APART IN A STRAIGHT LINE OR AS DIRECTED.
- S2. BOLLARDS TO BE LOCATED ON PARK BOUNDARY, OR SET BACK 500mm FROM EDGE OF INTERNAL ROAD, OR AS SHOWN ON PLAN.
- S3. DECORATIVE TOP TO CONSIST OF TWO ROUTED REBATES. REBATES TO BE STRAIGHT, PARALLEL TO EACH OTHER & AT RIGHT ANGLES TO POST. ENSURE ALL REBATES ARE CLEANED OF ANY SPLINTERS OR SHARDS.

ISSUE	AMENDMENT	DRAWN DATE	CHK'D DATE	APPR'D DATE
B	Recycled Plastic Material And Req. Added	DL 12/09	IC 06/10	PC 06/10
A	ORIGINAL ISSUE	Dec '03	Jul '04	PC 09/04

DESIGN AUTHORIZED FOR ISSUE PAUL COTTON SIGNATURE ON ORIGINAL DATED 03/09/04	DESIGN	CITY DESIGN - L.A.	DATE	Dec '03
MANAGER INFRASTRUCTURE MANAGEMENT R.P.E.Q.: 2546	DRAWN	CITY DESIGN - L.A.	DATE	Dec '03
DESIGN APPROVED LAUREN TEMPLEMAN SIGNATURE ON ORIGINAL DATED 31/08/04	CHECKED	UMD - E&P (U.T.) and IMB (D.L. & G.M.)	DATE	Jun '04
PRINCIPAL PROGRAM OFFICER PARKS	DRAWING FILENAME	UMS 721.dwg		
	ASSOCIATED PLANS			



BRISBANE CITY COUNCIL STANDARD DRAWING

BOLLARD – HERITAGE

SCALE	1:10
DWG No.	UMS 721
ORIGINAL SIZE	A3
REVISION	B