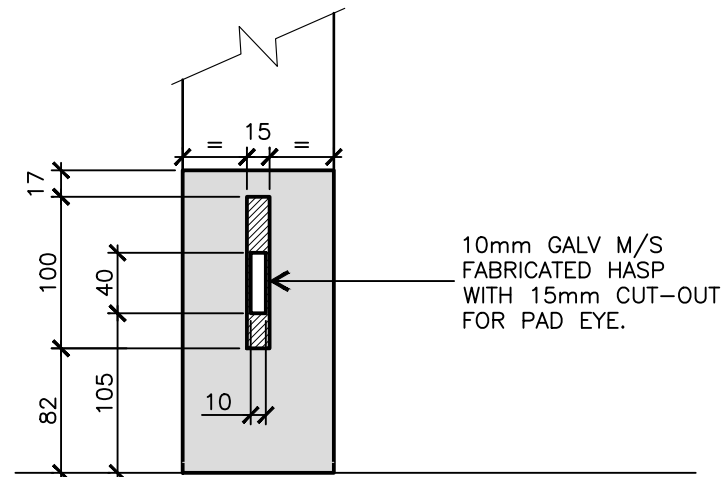
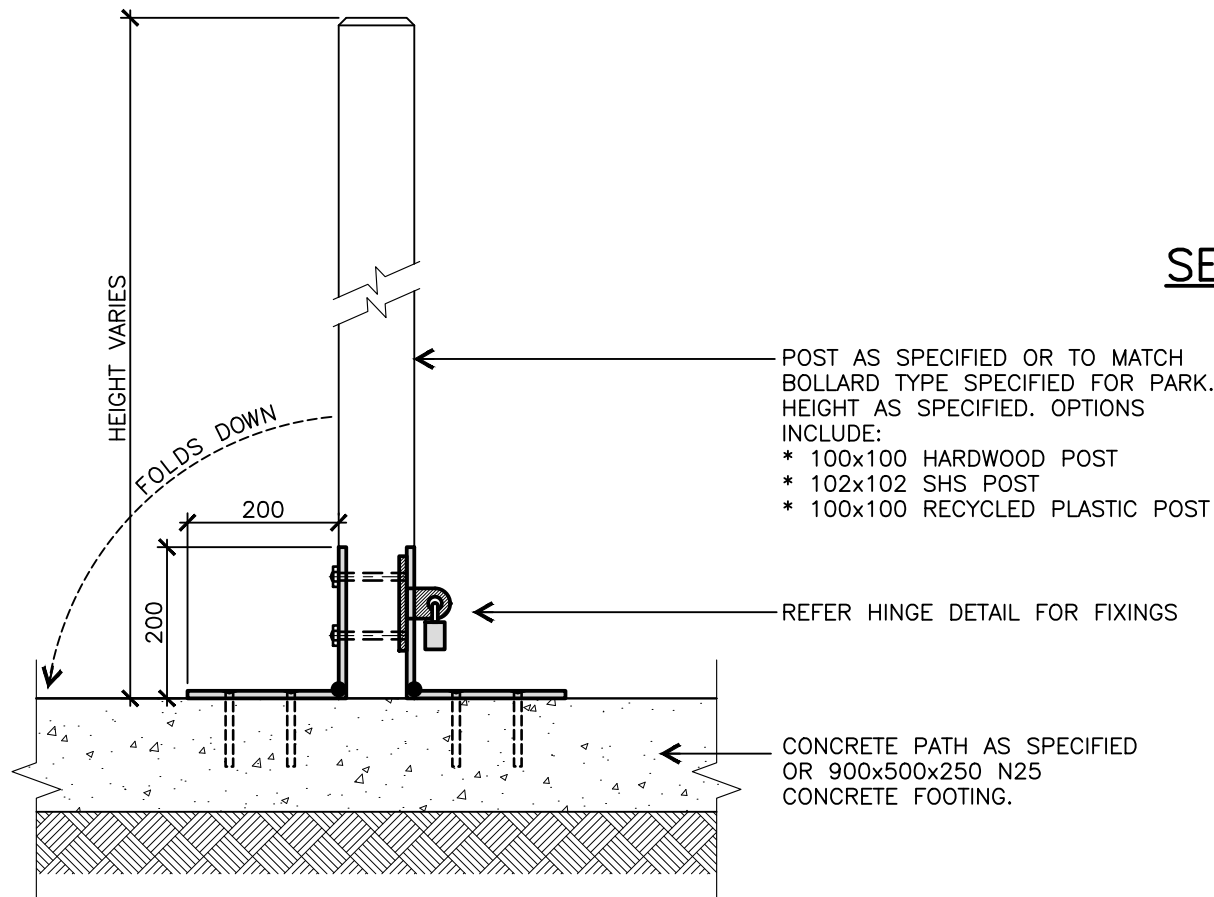


HINGE DETAIL
SCALE 1:5



SECTION A-A: PAD EYE DETAIL
SCALE 1:5



REMOVABLE BOLLARD - SECTION
SCALE 1:10

GENERAL NOTES

- G1. ENSURE BOLLARDS ARE LOCATED AND LANDSCAPED IN ACCORDANCE WITH DETAILED LANDSCAPE PLAN, AND SUBDIVISION AND DEVELOPMENT GUIDELINES.
- G2. ENSURE BOLLARDS ARE CLEANED OF CONCRETE SLURRY OR SPRAY WHEN INSTALLED TO PREVENT STAINING OR DAMAGE TO APPLIED FINISHES.
- G3. DIMENSIONS IN MILLIMETRES. (U.N.O.).

FIXTURES/FITTINGS/METAL WORK

- F1. ALL FIXTURES/FITTINGS UNLESS SPECIFIED ARE TO BE HOT DIPPED GALVANISED.
- F2. GRIND SMOOTH EDGES & WELDS PRIOR TO H.D.G. OR APPLIED FINISHES.
- F3. ALL WELDS TO BE CONTINUOUS, GROUND OFF SMOOTH & FLUSH.
- F4. WHERE POSSIBLE ALL FIXINGS TO BE TAMPER/VANDAL PROOF TO MINIMISE DAMAGE OR THEFT.

CONCRETE WORKS

- C1. AT A MINIMUM ALL CONCRETE TO BE GRADE N25 BROOM FINISHED 125mm MIN THICKNESS. ALL CONCRETE WORKS TO BE REINFORCED MIN SL72 MESH. ENSURE MIN TOP COVER OF 50mm.
- C2. FOR SLIP RESISTANCE REQUIREMENTS REFER SPECIFICATION S150 ROADWORKS.
- C3. ALL PATHWAY/PAVEMENT AREAS TO HAVE 1:50 MINIMUM CROSS-FALL.

TIMBER NOTES

- T1. ALL TIMBER TO BE ACQ TREATED ROUGH SAWN APPEARANCE GRADE HARDWOOD OF A SINGLE SPECIES.
- T2. ALL EXPOSED EDGES TO RECEIVE MIN. 5mm WIDE ARRIS.
- T3. PRIOR TO INSTALLATION, ALL CUTS, EDGES, JOINTS TO RECEIVE LIBERAL COATINGS WITH A APPROVED TIMBER PRESERVATIVE.
- T4. ALL TIMBER TO BE PRESERVATIVE TREATED TO HAZARD CLASS H4 TO AS1604.1-2000 AND HAVE A DURABILITY CLASS 1 OR 2 TO AS5604-2003.
- T5. ALL TIMBER TO BE FREE OF KNOTS, SPLINTERS, CRACKS OR ANY MAJOR DEFECT.
- T6. TIMBER FINISHES AS SPECIFIED - WHERE NO FINISHED SPECIFIED, ALL TIMBER TO RECEIVE 3 No COATS OF CLEAR APPROVED TIMBER PRESERVATIVE.
- T7. COLOUR SELECTION WHERE APPLICABLE IN ACCORDANCE WITH STANDARD BCC CORPORATE COLOUR PALETTE. BOLLARD FINISH COLOUR TO BE Y15 (SUNFLOWER YELLOW) TO AS2700 WHERE LACK OF VISIBILITY COULD CLAUSE A HAZARD.

RECYCLED PLASTIC MATERIAL NOTES

- P1. SECTIONS TO BE FORMED FROM A SINGLE, CONTINUOUSLY EXTRUDED PIECE.
- P2. MATERIAL TO BE UV STABILISED.
- P3. POROSITY TO A MAXIMUM OF 15% OF CROSS SECTION.
- P4. MAXIMUM VOID LENGTH 10% OF LARGEST CROSS SECTION.
- P5. SURFACE FINISH TO BE SMOOTH AND FREE OF ANY MAJOR VOIDS OR VISIBLE DEFECTS.
- P6. SIZE IS INDICATIVE - VARIANCE NOT TO EXCEED APPROX 1.5%.
- P7. COLOUR TO BE CHOSEN FROM AVAILABLE SUPPLIER COLOURS, TYPICALLY GREEN, BLACK, GREY OR BLUE.
- P8. MATERIAL TO HAVE FLAMMABILITY TESTING TO AS ISO TO AS/ISO 9239.1 AND/OR FIRE HAZARD RATING TO AS/NZS1530.3.
- P9. DEMONSTRATED CHEMICAL RESISTANCE.

ISSUE	AMENDMENT	DRAWN DATE	CHK'D DATE	APPR'D DATE
B	Recycled Plastic Added As Post Material	DL 12/09	IC 06/10	PC 06/10
A	ORIGINAL ISSUE	Dec '03	Jul '04	PC 09/04

DESIGN AUTHORIZED FOR ISSUE PAUL COTTON SIGNATURE ON ORIGINAL DATED 03/09/04	DESIGN	CITY DESIGN - L.A.	DATE	Dec '03
MANAGER INFRASTRUCTURE MANAGEMENT R.P.E.Q.: 2546	DRAWN	CITY DESIGN - L.A.	DATE	Dec '03
DESIGN APPROVED LAUREN TEMPLEMAN SIGNATURE ON ORIGINAL DATED 31/08/04	CHECKED	UMD - E&P (U.T.) and IMB (D.L. & G.M.)	DATE	Jun '04
PRINCIPAL PROGRAM OFFICER PARKS	DRAWING FILENAME	UMS 724 .dwg		
	ASSOCIATED PLANS			



BRISBANE CITY COUNCIL STANDARD DRAWING

BOLLARD - REMOVABLE

SCALE: AS SHOWN
DWG No. UMS 724
ORIGINAL SIZE: A3 REVISION: B