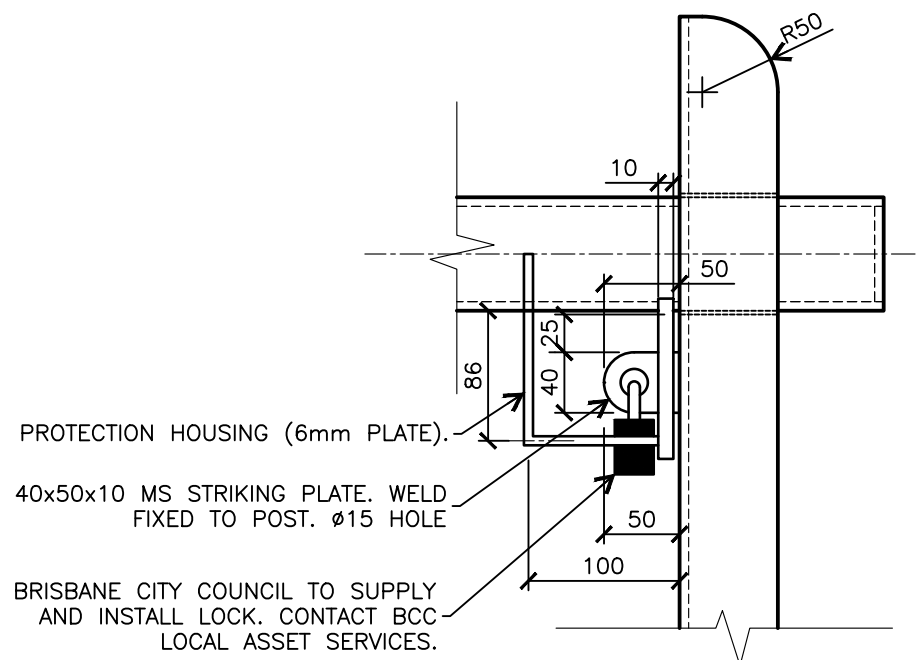
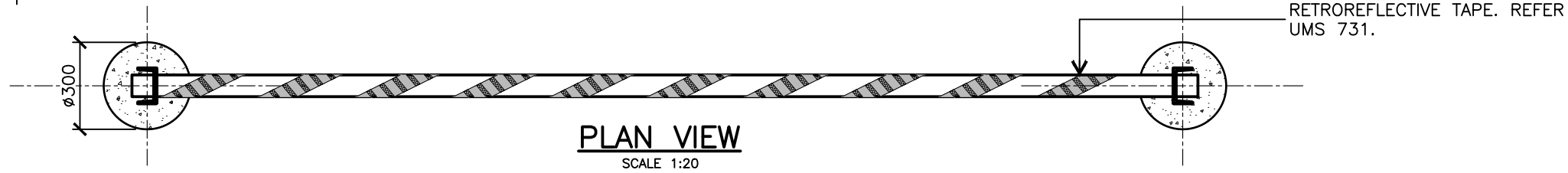
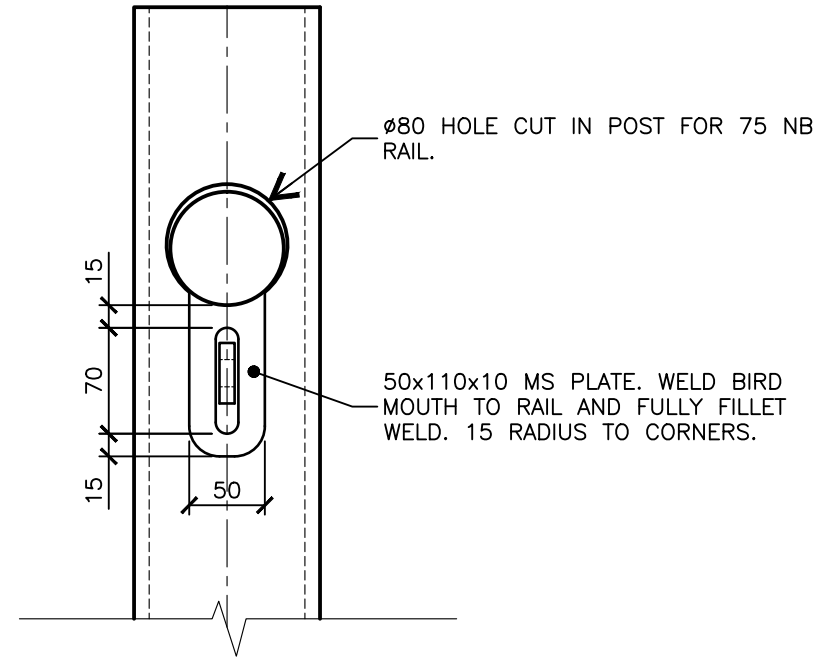


**ELEVATION**  
SCALE 1:20

**SECTIONAL ELEVATION**  
SCALE 1:20



**LOCK DETAIL – SIDE ELEVATION**  
SCALE 1:5



**LOCK DETAIL – END ELEVATION**  
SCALE 1:5

**NOTES**

- REFER UMS 731 FOR NOTES AND SPECIFICATIONS.

ISSUE	AMENDMENT	DRAWN DATE	CHK'D DATE	APPR'D DATE
B	Finish to Posts Clarified (UMS 731 Reference)	DL 12/09	IC 06/10	PC 06/10
A	ORIGINAL ISSUE	Dec '03	Jul '04	PC 09/04

DESIGN	CITY DESIGN - L.A.	DATE	Dec '03
DRAWN	CITY DESIGN - L.A.	DATE	Dec '03
CHECKED	UMD - E&P (U.T.) and IMB (D.L. & G.M.)	DATE	Jun '04
DRAWING FILENAME	UMS 729.dwg		
ASSOCIATED PLANS			

DESIGN AUTHORISED FOR ISSUE  
PAUL COTTON SIGNATURE ON ORIGINAL  
DATED 03/09/04

MANAGER INFRASTRUCTURE MANAGEMENT  
R.P.E.Q.: 2546

DESIGN APPROVED  
LAUREN TEMPLEMAN SIGNATURE ON ORIGINAL  
DATED 31/08/04

PRINCIPAL PROGRAM OFFICER PARKS



**BRISBANE CITY COUNCIL STANDARD DRAWING**

**LOCKRAIL WITH STEEL POSTS**

SCALE AS SHOWN  
DWG No. **UMS 729**  
ORIGINAL SIZE A3 REVISION B