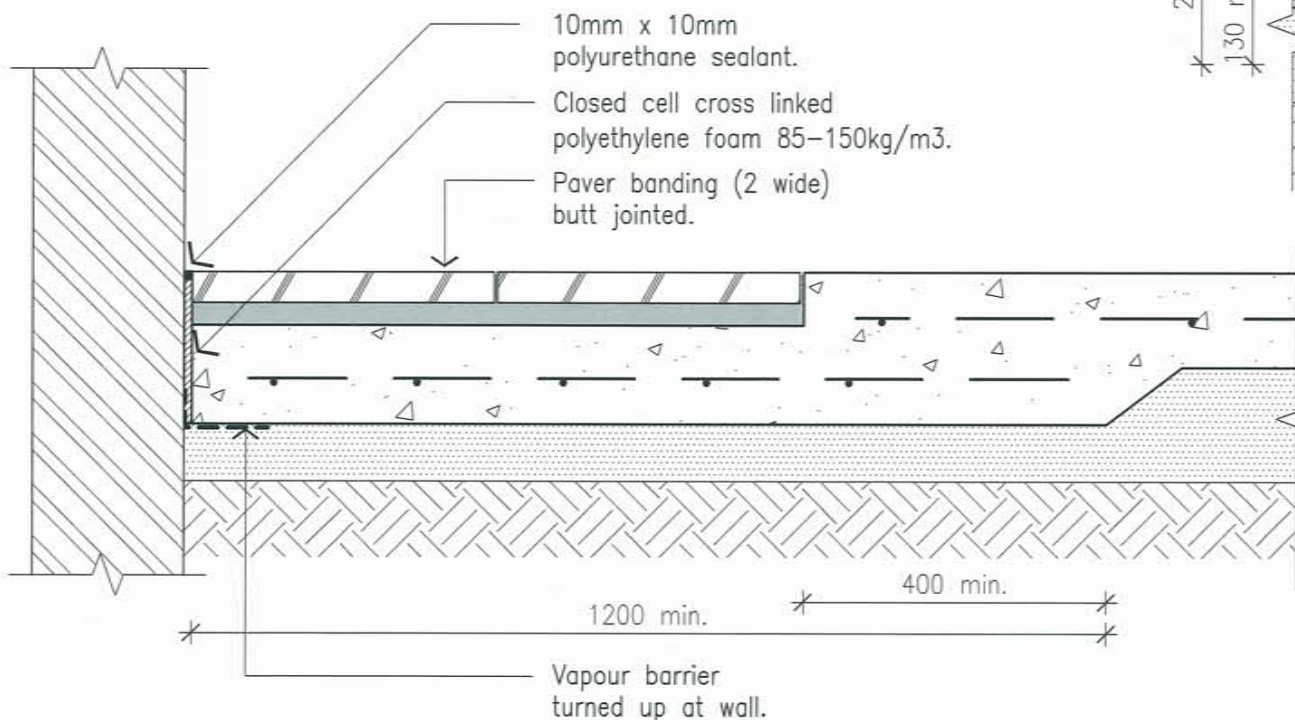


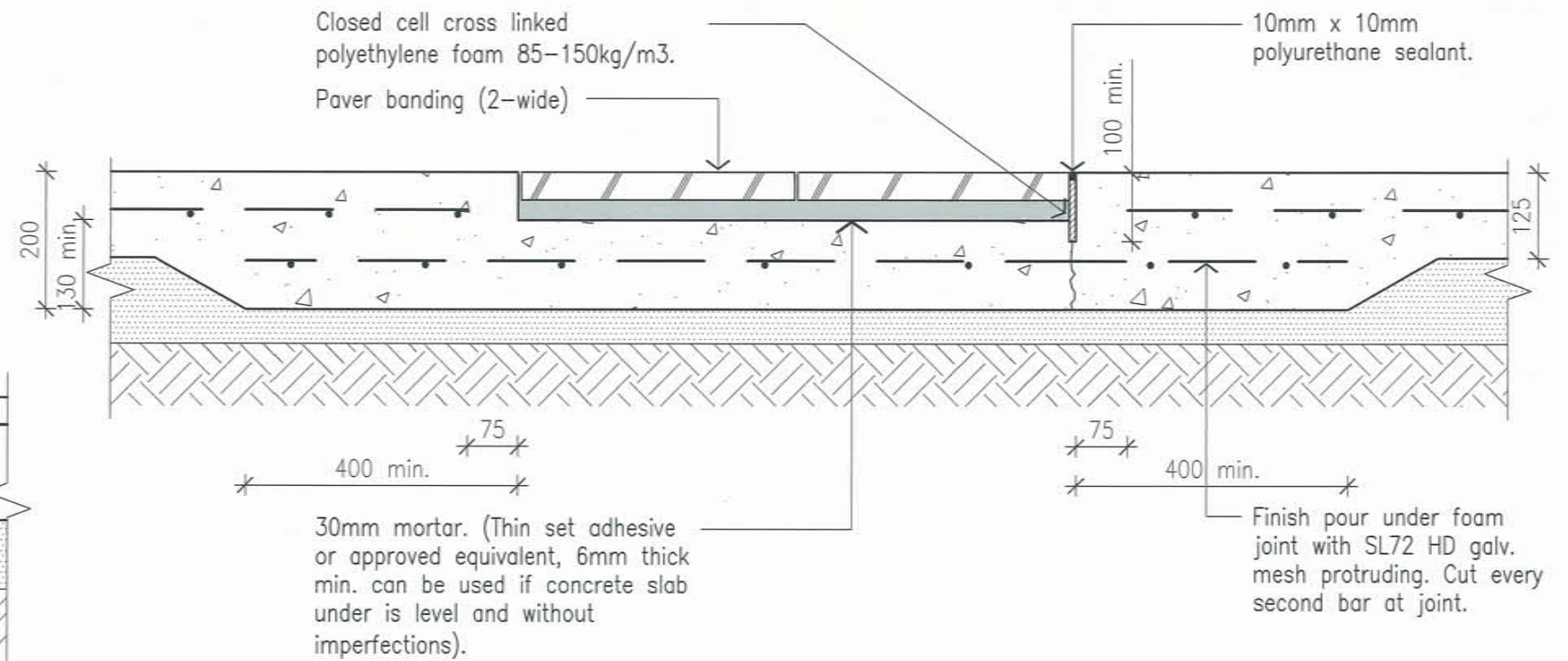
Closed cell cross linked polyethylene foam 85-150kg/m³ for each joint.

6mm thick galvanised diamond dowel and sleeve at 600mm crs. placed centrally for each joint.

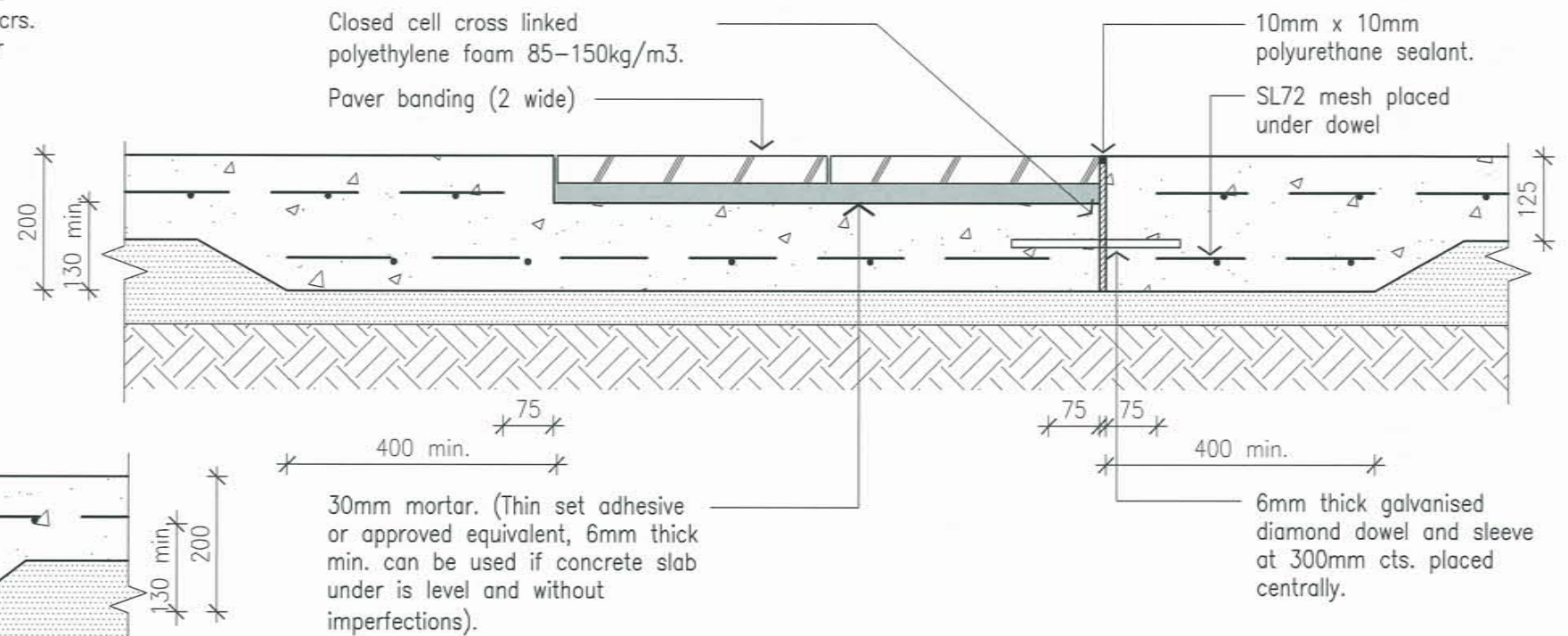
CONCRETE BANDING



PAVER BANDING - ISOLATION JOINT (IJ)



PAVER BANDING - CONTRACTION JOINT (CJ)



PAVER BANDING - EXPANSION JOINT (EJ)

STRUCTURAL DESIGN REVIEWED AND CERTIFIED FOR ISSUE
 NAME: **B. BALAKUMAR** RPEQ: 3963
 SIGNATURE: *[Signature]* DATE: 28/07/10

ISSUE	AMENDMENT	DRAWN DATE	CHK'D DATE	APPR'D DATE
A	ORIGINAL ISSUE	JUN '10	JUN '10	JUN '10

DESIGN AUTHORISED FOR ISSUE			
DESIGN	BAS	DATE	JUN '10
DRAWN	PRM	DATE	JUN '10
CHECKED	D.K. 28/7/10	DATE	JUN '10
DRAWING FILENAME	UMS 546		
ASSOCIATED PLANS			

MANAGER CITY ASSETS, R.P.E.Q. 2346
 DESIGN APPROVED
 PRINCIPAL OFFICER URBAN DESIGN UNIT



BRISBANE CITY COUNCIL STANDARD DRAWING

SCALE: NOT TO SCALE
 DWS No. **UMS 546**
 ORIGINAL SIZE: A3 REVISION: A

PAVER BANDING AND CONCRETE BANDING