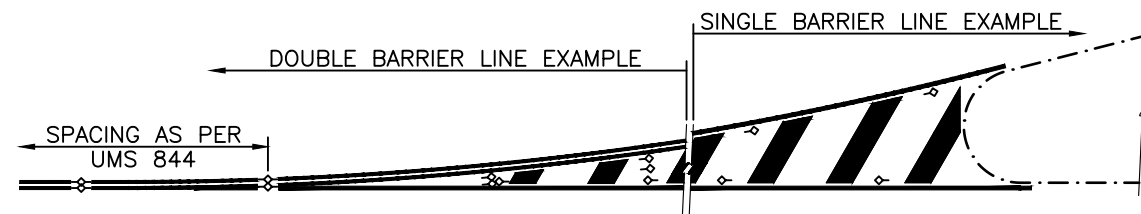
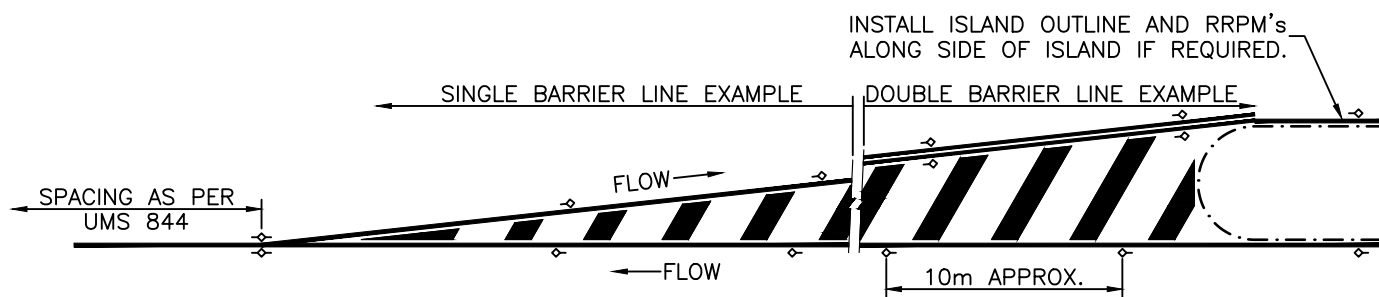


1. WHERE ADJACENT LANES  $\geq 3.2\text{m}$  WIDE

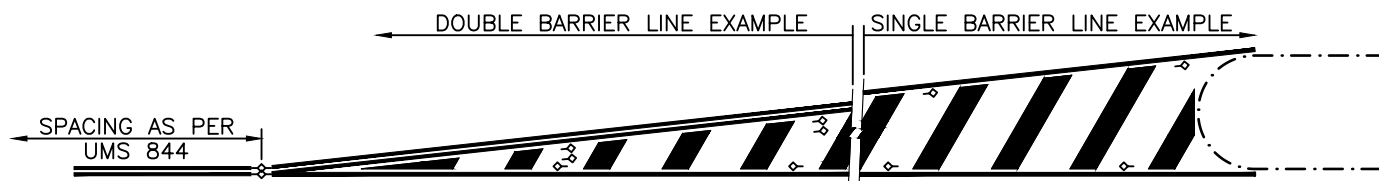


2. WHERE ADJACENT LANES  $< 3.2\text{m}$  WIDE

**OPPOSING TRAFFIC: TAILS LESS THAN 25m**  
RRPM'S EVERY 2nd GAP (Approx. 5m)

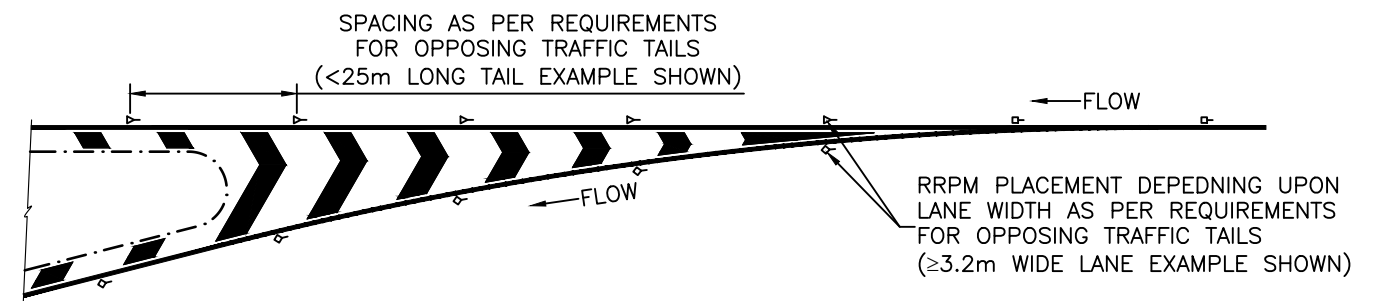


3. WHERE ADJACENT LANES  $\geq 3.2\text{m}$  WIDE



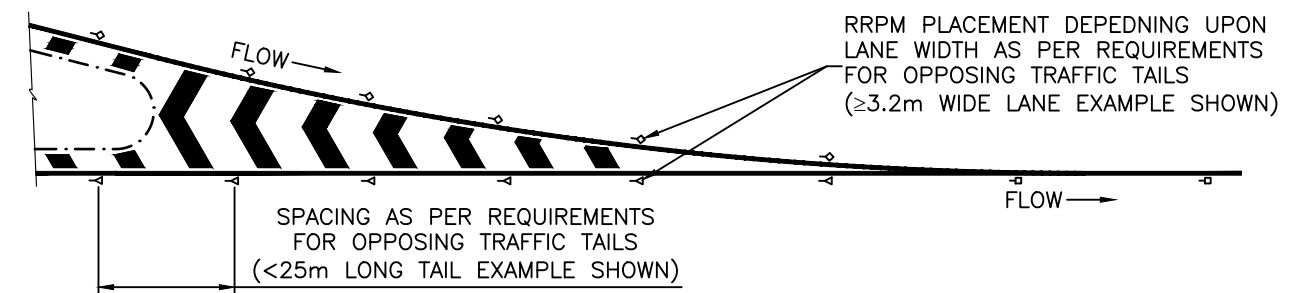
4. WHERE ADJACENT LANES  $< 3.2\text{m}$  WIDE

**OPPOSING TRAFFIC: TAILS GREATER THAN 25m**  
RRPM'S EVERY 4th GAP (Approx. 10m)



### DIVERGING TRAFFIC TAILS

RRPM SPACING AND PLACING ARE OPPOSING TRAFFIC REQUIREMENTS  
(TAIL  $< 25\text{m}$ , LANE WIDTH  $\geq 3.2\text{m}$  EXAMPLE SHOWN)



### CONVERGING TRAFFIC TAILS

RRPM SPACING AND PLACING ARE OPPOSING TRAFFIC REQUIREMENTS  
(TAIL  $< 25\text{m}$ , LANE WIDTH  $\geq 3.2\text{m}$  EXAMPLE SHOWN)

### LEGEND:

- ◇ BI-DIRECTIONAL RAISED RETROREFLECTIVE PAVEMENT MARKER (RRPM) – YELLOW
- ◇ UNI-DIRECTIONAL RAISED RETROREFLECTIVE PAVEMENT MARKER (RRPM) – YELLOW
- ▢ UNI-DIRECTIONAL RAISED RETROREFLECTIVE PAVEMENT MARKER (RRPM) – WHITE
- ▷ UNI-DIRECTIONAL RAISED RETROREFLECTIVE PAVEMENT MARKER (RRPM) – RED

### NOTES:

1. WHERE RADIUS  $< 30\text{m}$ , PLACE RRPM'S EVERY GAP.
2. WHERE ISLAND TAILS AND ASSOCIATED RRPM'S ARE ADJACENT TO BICYCLE LANES OR FACILITIES, PLACE THE RRPM'S ON THE INSIDE OF THE TAIL PAVEMENT MARKING (AS PER  $< 3.2\text{m}$  REQUIREMENTS).
3. ALL DIMENSIONS IN MILLIMETRES (U.N.O.).

ISSUE	AMENDMENT	DRAWN DATE	CHK'D DATE	APPR'D DATE
C	Note 2 Added.	DL 01/10	IC 11/10	PC 01/11
B	Yellow RRPM Req. Added	DL 07/09	IC 09/09	PC 9/09
A	ORIGINAL ISSUE	Sep '04	Nov '05	Mar '06

DESIGN AUTHORISED FOR ISSUE			
P COTTON SIGNATURE ON ORIGINAL DATED 21/03/06			
MANAGER CITY ASSETS, R.P.E.Q. 2546			
DESIGN APPROVED			
B HANSEN SIGNATURE ON ORIGINAL DATED 13/03/06			
PRINCIPAL ENGINEER STRATEGIC ASSET MANAGEMENT			
DESIGN	BCC	DATE	Sep '04
DRAWN	CA (DJL)	DATE	Sep '04
CHECKED	CA (GMC)	DATE	Nov '05
DRAWING FILENAME	UMS 845.dwg		
ASSOCIATED PLANS	SUPERSEDES M986/9, LM SK04		



**BRISBANE CITY COUNCIL STANDARD DRAWING**

**RAISED PAVEMENT MARKERS STANDARD INSTALLATION FOR PAINTED TAILS**

SCALE: NOT TO SCALE  
DWG No. **UMS 845**  
ORIGINAL SIZE: A3 REVISION: C