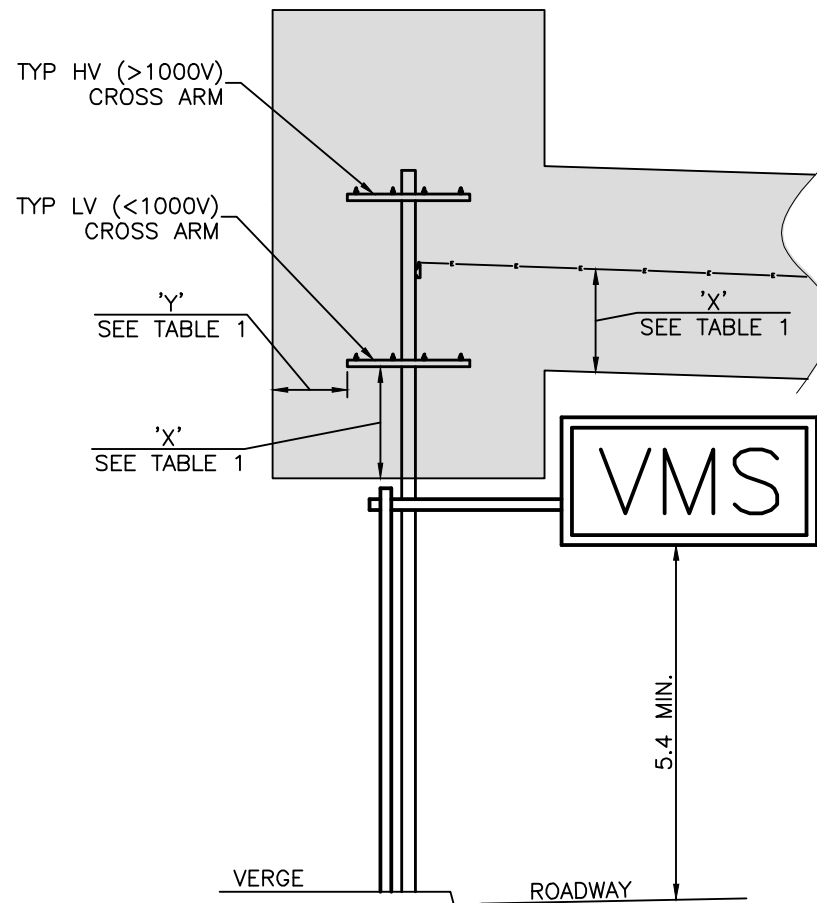
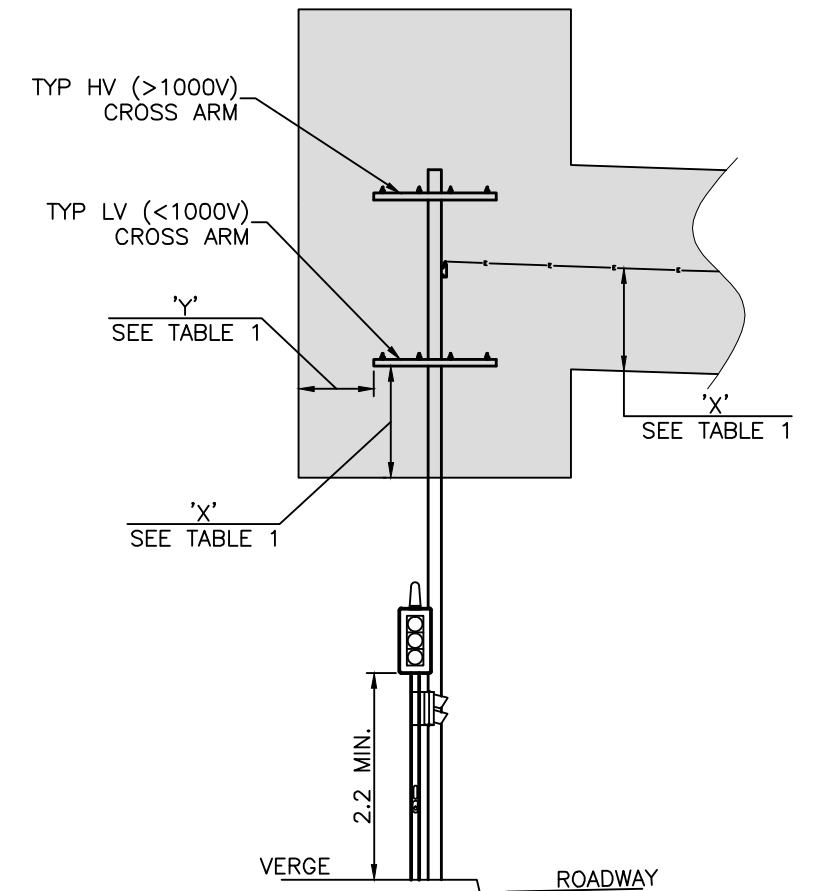


**TYPE C**  
(2.5m, 5.0m, 6.5m, 8.5m & 11.0m OUTREACH)



**TYPE C**  
(VMS SIGN)



**SIGNAL POST**

**TABLE 1**

PHASE TO PHASE VOLTAGE OF POWER LINE	DIMENSION 'X'	DIMENSION 'Y'
LOW VOLTAGE INSULATED NOT EXCEEDING 1000 VOLTS	0.6	1.5
LOW VOLTAGE UNINSULATED NOT EXCEEDING 1000 VOLTS	2.7	1.5
NOT EXCEEDING 33,000 VOLTS	3.0	3.0
EXCEEDING 33,000 VOLTS	REFER TO ELECTRICITY AUTHORITY CONCERNED	REFER TO ELECTRICITY AUTHORITY CONCERNED

**NOTES**

1. THE RELEVANT ELECTRICITY DISTRIBUTION ENTITY SHOULD BE CONSULTED WHENEVER THERE IS ANY DOUBT AS TO WHETHER SAFETY CLEARANCES COULD BE ADEQUATELY MAINTAINED.
2. HIGH VOLTAGE (HV, >1000 VOLTS) LINES ARE GENERALLY POSITIONED ABOVE LOW VOLTAGE (LV, <1000 VOLTS) LINES IF THEY ARE SUPPORTED ON THE SAME POLES. IF THEY ARE SEPARATED, CONSULT THE RELEVANT ELECTRICAL DISTRIBUTION ENTITY IF THERE IS ANY DOUBT ON WHETHER THE LINE IS OF HIGH OR LOW VOLTAGE.
3. THIS PLAN SHOWS THE MINIMUM CLEARANCES AS REQUIRED BY THE QUEENSLAND ELECTRICAL SAFETY LEGISLATION. CONSIDERATION SHOULD BE GIVEN TO THE REQUIREMENTS OF AS 1418.10 S.A.A. CRANE CODE, THE WORKPLACE HEALTH SAFETY ACT (1995), WORKPLACE HEALTH SAFETY CODE OF PRACTICES, WORKPLACE HEALTH SAFETY REGULATION (2008).
4. ALL CREW WORKING NEAR OR WITHIN THE NOMINATED EXCLUSION ZONES TO BE SUITABLY TRAINED AND FULLY AWARE OF THE REQUIREMENTS OF THE RELEVANT LEGISLATION AND CODES OF PRACTICE.
5. ALL DIMENSIONS IN METRES (U.N.O.).

**LEGEND**

NO CONSTRUCTION ZONE

ISSUE	AMENDMENT	DRAWN DATE	CHK'D DATE	APPR'D DATE
B	Dwg No. Changed, Clearance Dims Amended, 4.1m Post Add, Note 4 Mod.	Nov '09	IC 01/11	PC 01/11
A	ORIGINAL ISSUE	April '01	May '01	June '01

DESIGN AUTHORISED FOR ISSUE B. BALL SIGNATURE ON ORIGINAL DATED 29/6/01				DESIGN	STD DWG GROUP	DATE	April '01
MANAGER ASSET SUPPORT - R.P.E.Q: 3 8 5 2				DRAWN	CITY DESIGN	DATE	April '01
DESIGN APPROVED K. MEMORY SIGNATURE ON ORIGINAL DATED 27/6/01				CHECKED	R. WILSON	DATE	May '01
SENIOR PROGRAM OFFICER NETWORK OPERATIONS - R.P.E.Q: 4 1 6 1				DRAWING FILENAME	VMS 610_010		
				ASSOCIATED PLANS	Previous Dwg No. UMS 610		



**BRISBANE CITY COUNCIL STANDARD DRAWING**

**ELECTRICAL CABLE CLEARANCES**

SCALE: NOT TO SCALE  
DWG No. UMS 600/010  
ORIGINAL SIZE: A3 REVISION: B