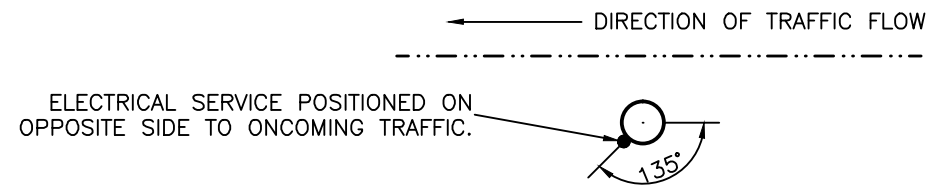
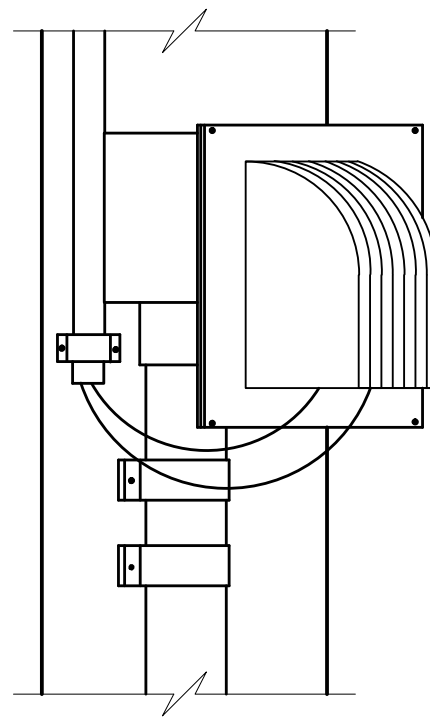


ELEVATION
N.T.S.



POSITION OF SERVICE
N.T.S.



DETAIL 'A'
N.T.S.

NOTES:

1. ELECTRICAL DISTRIBUTION ENTITIES RESPONSIBILITIES IN PROVIDING THE SERVICE ARE AS FOLLOWS:
 - (a) TO SUPPLY, INSTALL AND MAINTAIN A PRIMARY FUSED SERVICE TO THE BRISBANE CITY COUNCIL MAINS CONNECTION BOX;
 - (b) TO TEST POLARITY OF SERVICE AND CONNECT SUPPLY AUTHORITY SERVICE TO INSTALLATION.
3. ASSET OWNERS RESPONSIBILITIES ARE AS FOLLOWS:
 - (a) TO MAKE APPLICATION FOR SUPPLY OF ELECTRICITY TO SUPPLY AUTHORITY.
4. CONTRACTORS RESPONSIBILITIES ARE AS FOLLOWS:
 - (a) TO CARRY OUT INSTALLATION WORK IN ACCORDANCE WITH AS 3000 "SAA WIRING RULES" AND TELECOMMUNICATIONS ACT (1995) (FEDERAL);
 - (b) TO SUBMIT A FORM 2 TO SUPPLY AUTHORITY;
 - (c) TO SUBMIT TO THE DISTRIBUTION ENTITY A DISCONNECTION NOTICE WHEN THE SUPPLY IS NO LONGER REQUIRED;
 - (d) TO SUBMIT TO THE SUPPLY AUTHORITY A SCHEDULE OF LOADING;
 - (e) TO SUPPLY AND INSTALL SERVICE POLE (IF REQUIRED);
 - (f) TO INSPECT AND PERFORM THE MANDATORY TESTING OF THE ELECTRICAL INSTALLATION IN ACCORDANCE WITH AS 3000 "SAA WIRING RULES";
 - (g) RECORD AND SUPPLY TEST RESULTS; AND
 - (h) SUPPLY A CERTIFICATE OF TESTING.
4. DIMENSIONS IN MILLIMETRES (U.N.O.).
5. TYPE 4 PIT SHALL BE USED FOR ALL LIGHTING INSTALLATIONS. TYPE 8 OR ROUND PITS WHERE 51 CORE CABLE IS USED, SHALL BE USED FOR TRAFFIC SIGNAL ROAD CROSSINGS.
6. ACTUAL SIZE OF MAINS CABLE MAY VARY DEPENDING ON VOLTAGE DROP BETWEEN THE SUPPLY POINT AND SWITCHBOARD/CONTROLLER AND/OR THE MAXIMUM CURRENT RATING OF THE CABLE. ALL CABLE SIZES SHALL COMPLY WITH AS 3000 "SAA WIRING RULES".
7. CABLE GUARD SHALL BE OF A SIZE AND TYPE ACCEPTABLE TO THE RELEVANT ELECTRICAL DISTRIBUTION ENTITY EARTHING REQUIREMENTS FOR THE METAL CABLE GUARD ARE AS FOLLOWS:
 - (a) POLE NAILS OR NAIL FASTENINGS MUST NOT BE CONNECTED TO OR CONTACT ANY EARTH DOWNLEADS; AND
 - (b) REFER TO RELEVANT ENERGY DISTRIBUTION COMPANY DOCUMENT(S).

C	Dwg No. Changed, Mains Connection Box Height Mod. Detail Amend, Note 7 Mod.	Nov '09	IC 01/11	PC 01/11
B	Dimension amended in Elevation	Nov. '04	CIG 02/05	AG 02/05
A	ORIGINAL ISSUE	April '01	May '01	June '01
ISSUE	AMENDMENT	DRAWN DATE	CHK'D DATE	APPR'D DATE

DESIGN AUTHORISED FOR ISSUE B. BALL SIGNATURE ON ORIGINAL DATED 29/6/01				DESIGN	STD DWG GROUP	DATE	April '01
MANAGER ASSET SUPPORT - R.P.E.Q: 3 8 5 2				DRAWN	CITY DESIGN	DATE	April '01
DESIGN APPROVED K. MEMORY SIGNATURE ON ORIGINAL DATED 27/6/01				CHECKED	R. WILSON	DATE	May '01
SENIOR PROGRAM OFFICER NETWORK OPERATIONS - R.P.E.Q: 4 1 6 1				DRAWING FILENAME	UMS 600_011		
				ASSOCIATED PLANS	Previous Dwg No. UMS 611		



BRISBANE CITY COUNCIL STANDARD DRAWING

MAINS CONNECTION TO ENERGENX EQUIPMENT OVERHEAD

SCALE NOT TO SCALE	
DWG No. UMS 600/011	
ORIGINAL SIZE A3	REVISION C