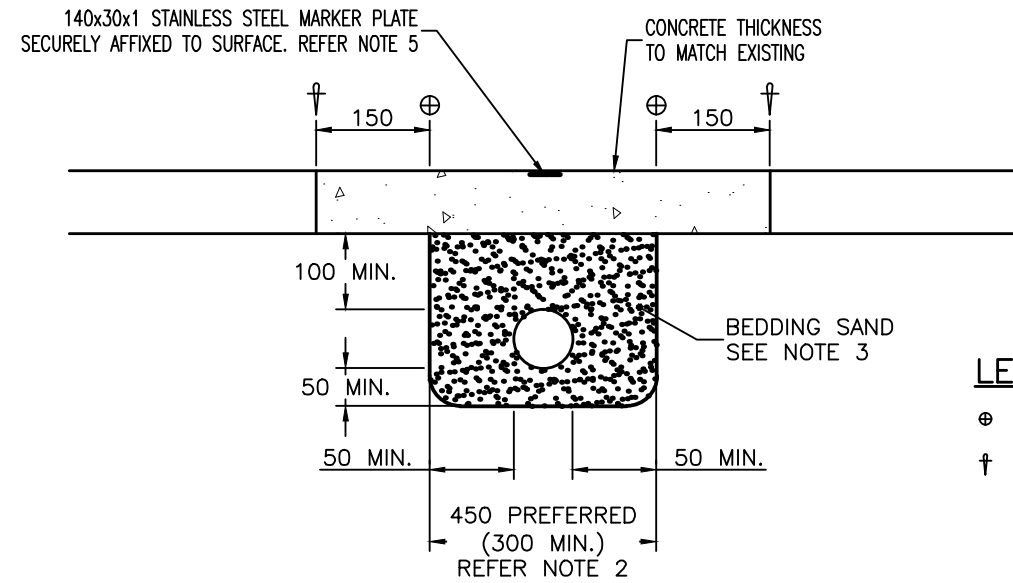


TYPE ELV1

FOOTWAYS OR ISLANDS
(EARTH OR ASPHALT)



TYPE ELV2

FOOTWAYS OR ISLANDS
(CONCRETE)

LEGEND

- ⊕ INITIAL SAWCUT FOR TRENCH
- † ADDITIONAL SAWCUT ON COMPLETION OF BACKFILL

NOTES:

1. FOR TRAFFIC SIGNALS AND RATE 3 LIGHTING THE CONDUIT SYSTEM TO BE USED IS CATEGORY A WIRING SYSTEM COMPLYING WITH AS3000 EXCEPT THE DEPTHS SHALL BE AS SHOWN IN ON THE DRAWING.
2. WITH THE APPROVAL OF THE SUPERINTENDENT THE MINIMUM WIDTH OF THE TRENCH MAY BE LESS THAN 450mm PROVIDED THAT AT LEAST 50mm CLEARANCE BETWEEN THE EDGE OF DUCT AND TRENCH WALL IS MAINTAINED.
3. BEDDING MATERIAL SHALL COMPLY WITH THE REQUIREMENTS OF BCC REFERENCE SPECIFICATIONS S140 AND S145.
4. FILL MATERIAL SHALL BE MINIMUM CLASS 3 MATERIAL AS SPECIFIED IN BCC REFERENCE SPECIFICATIONS S140 AND S300 COMPACTED TO 100% RDD.
5. FOR ASPHALT SURFACE RESTORATION, THE SURFACE OF THE LEAN MIX CONCRETE AND THE REMAINING SIDES OF THE TRENCH SHALL BE DRY AND GIVEN A THOROUGH BROOMING BEFORE BEING UNIFORMLY COVERED WITH A FINE SPRAYED BITUMEN EMULSION. THE BITUMEN EMULSION SHALL COMPLY WITH THE REQUIREMENTS OF BCC REFERENCE SPECIFICATION S330. THE ASPHALT PAVEMENT SURFACE LAYER FOR FOOTPATHS SHALL BE TYPE 1 ASPHALT AND COMPLY WITH THE REQUIREMENTS OF BCC REFERENCE SPECIFICATIONS S145 & S310.
6. FOR CONCRETE SURFACE RESTORATION, CONCRETE TO BE N32 CONCRETE TO COMPLY WITH THE REQUIREMENTS OF BCC REFERENCE SPECIFICATION S200 AND RELEVANT BCC STANDARDS FOR CONCRETE ISLAND INFILL.
7. REDUCED COVER MARKER PLATE TO BE 140x30x1 STAINLESS STEEL WITH THE WORDING 'WARNING! SHALLOW DEPTH CONDUIT'. MARKER PLATE TO BE PERMANENTLY AND SECURELY AFFIXED TO SURFACE.
8. ALL DIMENSIONS ARE IN MILLIMETRES (U.N.O.).

ISSUE	AMENDMENT	DRAWN DATE	CHK'D DATE	APPR'D DATE
A	ORIGINAL ISSUE	Aug '10	IC 01/11	PC 01/11

DESIGN AUTHORISED FOR ISSUE			
DESIGN	Bris. Infra. (CA/BCW)	DATE	Aug '10
DRAWN	CA (DJL)	DATE	Aug '10
CHECKED	I. Condric	DATE	Jan '11
DRAWING FILENAME	UMS 600_026		
ASSOCIATED PLANS	UMS 600_024		



BRISBANE CITY COUNCIL STANDARD DRAWING

**TRAFFIC SIGNAL DUCTS
INSTALLATION DETAIL
EXTRA LOW VOLTAGE CONDUITS**

SCALE: NOT TO SCALE
DWG No: UMS 600/026
ORIGINAL SIZE: A3
REVISION: A