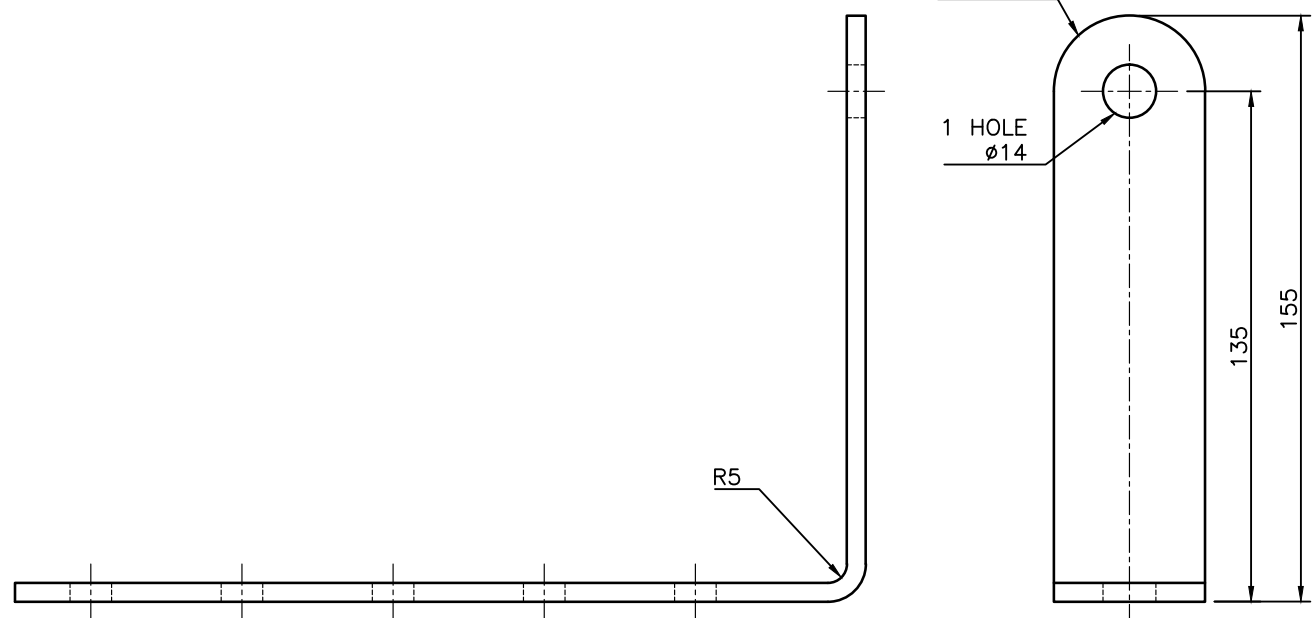
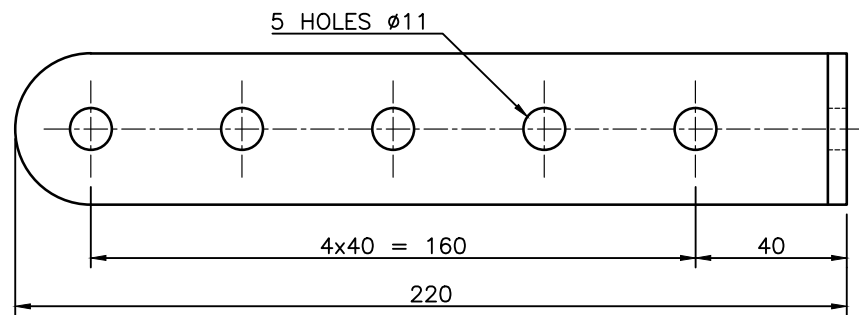
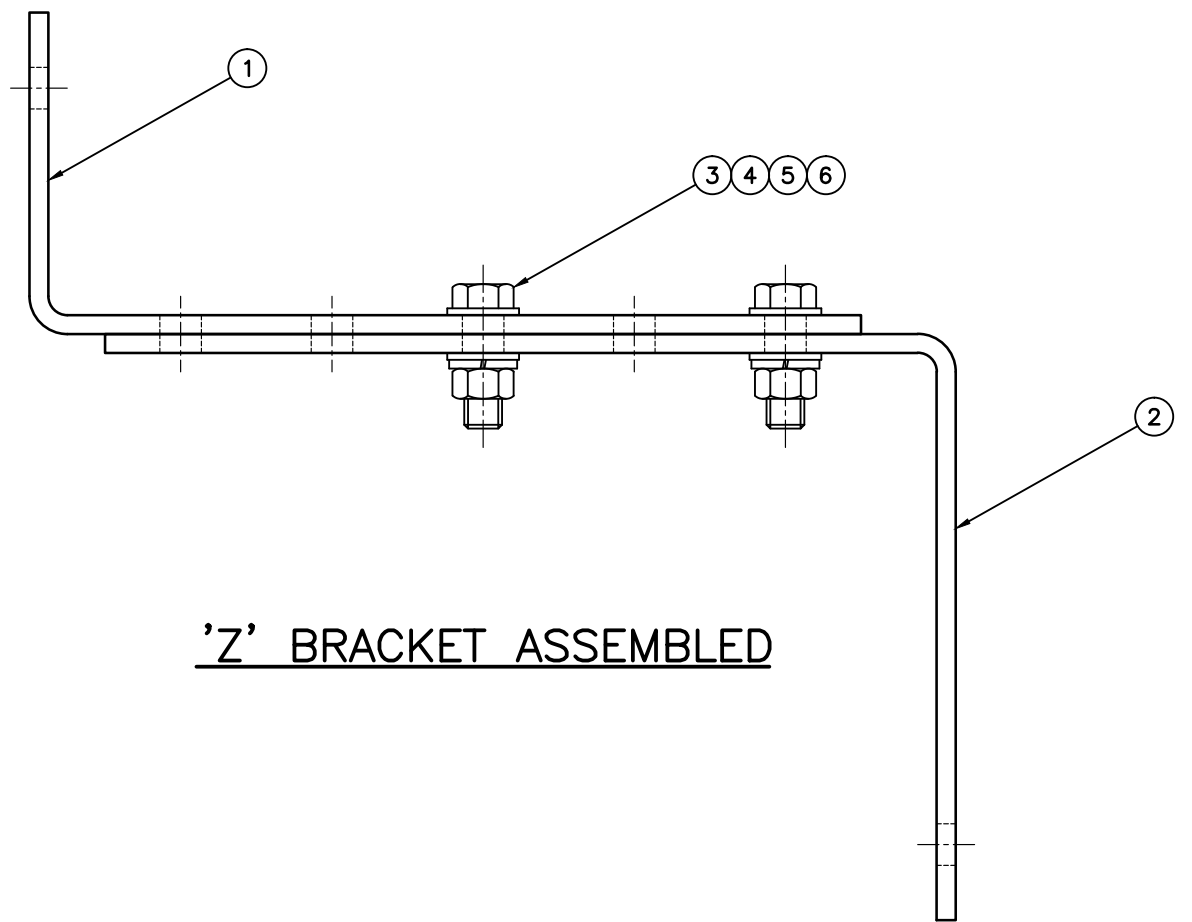
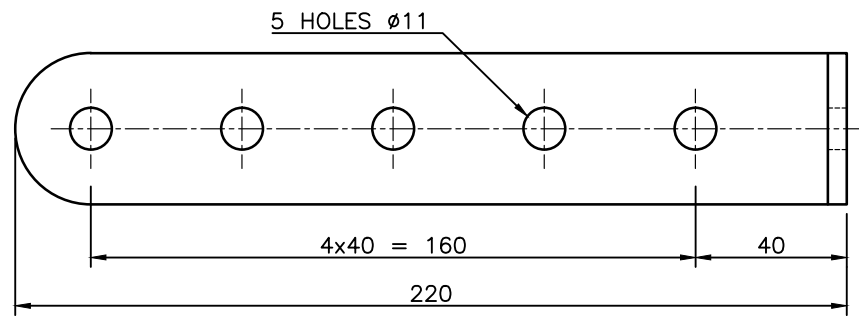


**ITEM 1**



**ITEM 2**



**'Z' BRACKET ASSEMBLED**

**NOTES:**

1. DEBURR AND REMOVE SHARP CORNERS AND EDGES.
2. GENERAL TOLERANCE  $\pm 1.0$  AND FOR HOLE CENTRES & HOLES  $\pm 0.5$
3. ALL ITEMS SHALL BE SUPPLIED & FITTED (AS SHOWN ABOVE) BY THE MANUFACTURER.
4. ITEMS 1 AND 2 TOLERANCES IN ACCORDANCE WITH AS3679.
5. ALL DIMENSIONS IN MILLIMETRES (U.N.O.).

ITEM	DESCRIPTION	MATERIAL	FINISH	QTY	
6	FLAT WASHER M10	TO AS1237	STAINLESS STEEL	NATURAL	4
5	SPRING WASHER M10	TO AS1968	STAINLESS STEEL	NATURAL	2
4	HEX NUT M10	TO AS1112	STAINLESS STEEL	NATURAL	2
3	HEX HEAD SCREW M10x30	TO AS1111	STAINLESS STEEL	NATURAL	2
2	BRACKET ITEM 1 40x5 FLAT	TO AS3679	MILD STEEL	HD GALV TO AS/NZS4680	1
1	BRACKET ITEM 2 40x5 FLAT	TO AS3679	MILD STEEL	HD GALV TO AS/NZS4680	1

ISSUE	AMENDMENT	DRAWN DATE	CHK'D DATE	APPR'D DATE
A	ORIGINAL ISSUE	April '09	IC 12/10	PC 01/11

DESIGN AUTHORISED FOR ISSUE			
P. COTTON SIGNATURE ON ORIGINAL			
MANAGER CITY ASSETS - R.P.E.Q. 2546			
DESIGN APPROVED			
I. CONDRIE SIGNATURE ON ORIGINAL DATED 12/10			
PRINCIPAL ENGINEER ROAD NETWORK INFRASTRUCTURE - R.P.E.Q. 8591			
DESIGN	Brisbane Infrastructure	DATE	April '09
DRAWN	Brisbane Infrastructure	DATE	April '09
CHECKED	I. Condrie	DATE	Dec '10
DRAWING FILENAME	UMS 600_042		
ASSOCIATED PLANS			



**BRISBANE CITY COUNCIL STANDARD DRAWING**

**ADJUSTABLE 'Z' BRACKET FOR 200mm LANTERNS**

SCALE: NOT TO SCALE  
 DWG No. **UMS 600/042**  
 ORIGINAL SIZE: A3 REVISION: A