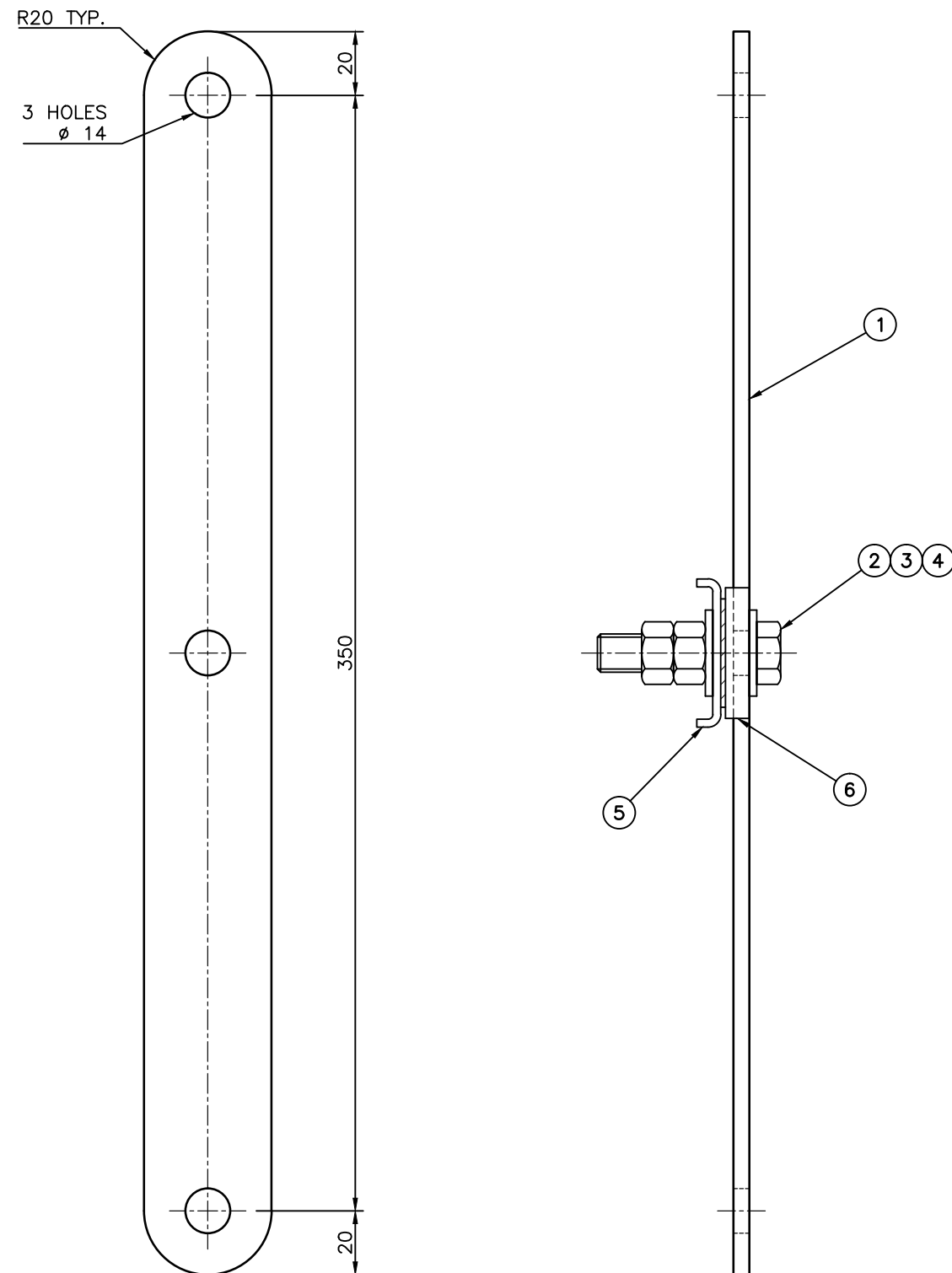


FOR DUAL 200mm LANTERNS



FOR DUAL 300mm LANTERNS

NOTES:

1. DEBURR AND REMOVE SHARP CORNERS AND EDGES.
2. GENERAL TOLERANCE ± 1.0 AND FOR HOLE CENTRES & HOLES ± 0.5
3. ALL ITEMS SHALL BE SUPPLIED AND FULLY ASSEMBLED (AS SHOWN) BY THE MANUFACTURER.
4. THE SPECIAL LOCK WASHER (ITEM 6) TO BE FITTED TO THE STRAP WITH THE STANDARD LOCK WASHER (ITEM 5), DIMPLE TO DIMPLE.
5. LOCK WASHERS TO BE MANUFACTURED TO UMS 600/045.
6. ALL DIMENSIONS IN MILLIMETRES (U.N.O.).

ITEM	DESCRIPTION	MATERIAL	FINISH	QTY
6	SPECIAL LOCK WASHER (REFER UMS 600/045)	STAINLESS STEEL	BLACK	1
5	STANDARD LOCK WASHER (REFER UMS 600/045)	STAINLESS STEEL	NATURAL	1
4	HEX NUT M12 TO AS1112	STAINLESS STEEL	NATURAL	2
3	HEX HEAD BOLT M12x50 TO AS1111	STAINLESS STEEL	NATURAL	1
2	FLAT WASHER M12 LARGE SERIES TO AS1237	STAINLESS STEEL	NATURAL	2
1	STEEL FLAT BAR 40x5 TO AS3679	MILD STEEL	HD GALV TO AS/NZS4680	1

ISSUE	AMENDMENT	DRAWN DATE	CHK'D DATE	APPR'D DATE
A	ORIGINAL ISSUE	April '09	IC 12/10	PC 01/11

DESIGN AUTHORISED FOR ISSUE			
P COTTON SIGNATURE ON ORIGINAL			
MANAGER CITY ASSETS - R.P.E.Q: <u>2546</u>			
DESIGN APPROVED			
I. CONDRIK SIGNATURE ON ORIGINAL DATED 12/10			
PRINCIPAL ENGINEER ROAD NETWORK INFRASTRUCTURE - R.P.E.Q: <u>8591</u>			
DESIGN	Brisbane Infrastructure	DATE	April '09
DRAWN	Brisbane Infrastructure	DATE	April '09
CHECKED	I. Condric	DATE	Dec '10
DRAWING FILENAME	UMS 600_043		
ASSOCIATED PLANS			



BRISBANE CITY COUNCIL STANDARD DRAWING

TEE-BAR STRAP FOR DUAL LANTERNS

SCALE		NOT TO SCALE	
DWG No.		UMS 600/043	
ORIGINAL SIZE	A3	REVISION	A