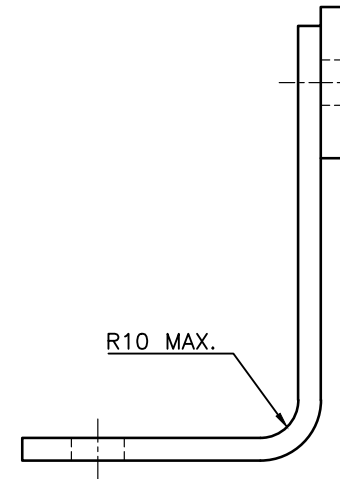
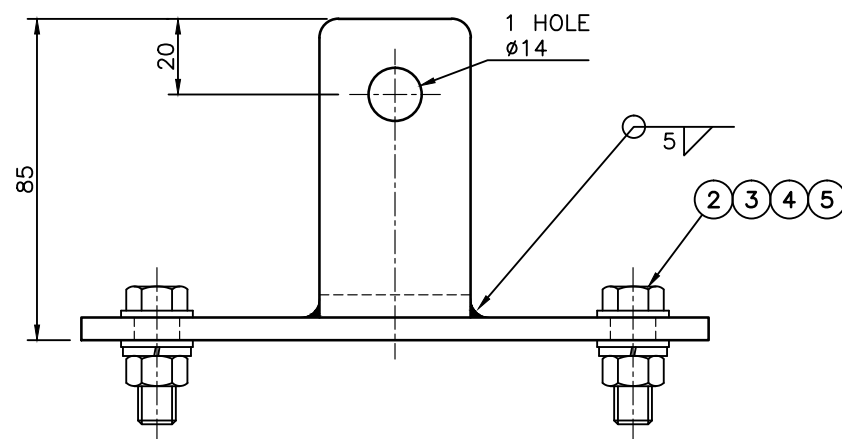


TOP VIEW



SIDE VIEW



FRONT VIEW

NOTES:

1. ALL BURRS, SHARP EDGES AND WELDING SCALE TO BE REMOVED BEFORE GALVANISING.
2. GENERAL TOLERANCE ± 1.0 AND FOR HOLE CENTRES & HOLES ± 0.5
3. ON DELIVERY ITEMS 2, 3, 4 & 5 TO BE SUPPLIED FITTED AS SHOWN.
4. ALL DIMENSIONS IN MILLIMETRES (U.N.O.).

| ITEM | DESCRIPTION | MATERIAL | FINISH | QTY | |
|------|-----------------------|-----------|-----------------|-----------------------|---|
| 5 | SPRING WASHER M10 | TO AS1968 | STAINLESS STEEL | NATURAL | 2 |
| 4 | FLAT WASHER M10 | TO AS1237 | STAINLESS STEEL | NATURAL | 4 |
| 3 | HEX NUT M10 | TO AS1112 | STAINLESS STEEL | NATURAL | 2 |
| 2 | HEX HEAD SCREW M10x30 | TO AS1111 | STAINLESS STEEL | NATURAL | 2 |
| 1 | BRACKET 40x6 THICK | TO AS3679 | MILD STEEL | HD GALV TO AS/NZS4680 | 1 |

| ISSUE | AMENDMENT | DRAWN DATE | CHK'D DATE | APPR'D DATE |
|-------|----------------|------------|------------|-------------|
| A | ORIGINAL ISSUE | April '09 | IC 12/10 | PC 01/11 |

| | | | |
|--|-------------------------|------|-----------|
| DESIGN AUTHORISED FOR ISSUE | | | |
| P COTTON SIGNATURE ON ORIGINAL | | | |
| MANAGER CITY ASSETS - R.P.E.Q: 2546 | | | |
| DESIGN APPROVED | | | |
| I. CONDRIK SIGNATURE ON ORIGINAL DATED 12/10 | | | |
| PRINCIPAL ENGINEER ROAD NETWORK INFRASTRUCTURE - R.P.E.Q: 8591 | | | |
| DESIGN | Brisbane Infrastructure | DATE | April '09 |
| DRAWN | Brisbane Infrastructure | DATE | April '09 |
| CHECKED | I. Condric | DATE | Dec '10 |
| DRAWING FILENAME | UMS 600_044 | | |
| ASSOCIATED PLANS | | | |



BRISBANE CITY COUNCIL STANDARD DRAWING

MOUNTING BRACKET FOR AUDIO TACTILE HOUSING ON MAST ARMS & TYPE 6 POSTS

| | |
|---------------|--------------------|
| SCALE | NOT TO SCALE |
| DWG No. | UMS 600/044 |
| ORIGINAL SIZE | A3 |
| REVISION | A |