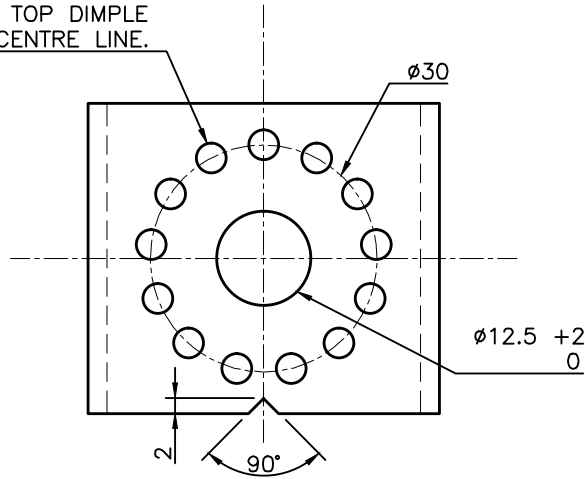
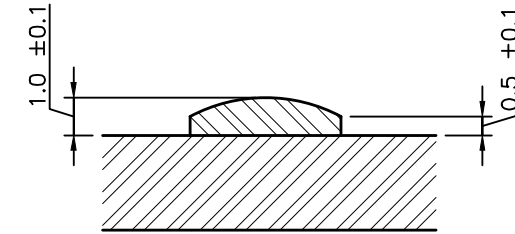
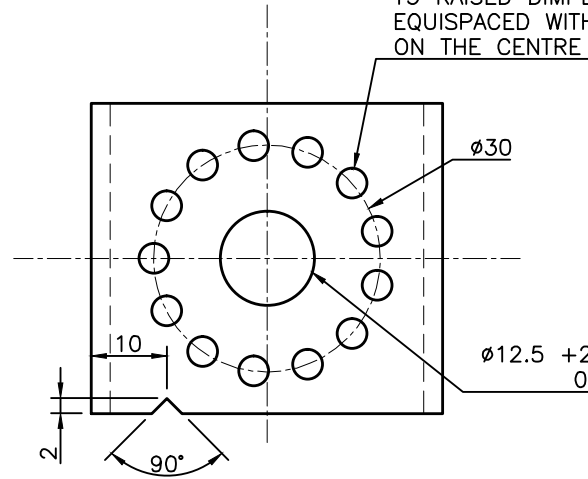


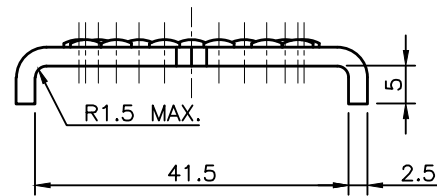
13 RAISED DIMPLES $\phi 4 \pm 0.1$
EQUISPACED WITH TOP DIMPLE
ON THE CENTRE LINE.



13 RAISED DIMPLES $\phi 4 \pm 0.1$
EQUISPACED WITH TOP DIMPLE
ON THE CENTRE LINE.

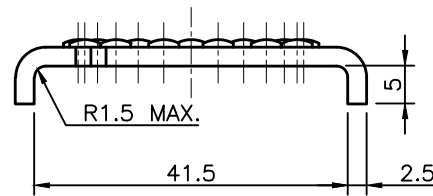


DIMPLE PROFILE
SCALE 1:5



TYPE 1 LOCK WASHER

STANDARD LOCK WASHER FOR LANTERN
MOUNTING STRAP AND LOWER MOUNTING
BRACKET



TYPE 2 LOCK WASHER

SPECIAL LOCK WASHER FOR T-BAR ASSEMBLIES
FOR DUAL LANTERNS
(REFER NOTE 5)

NOTES:

1. REMOVE SHARP CORNERS AND EDGES.
2. MATERIAL: STAINLESS STEEL GRADE 304 2B DULL.
3. FINISH: NATURAL.
4. TOLERANCE UNLESS OTHERWISE STATED:
 - GENERAL DIMENSIONS $\pm 0.5\text{mm}$
 - ANGULAR $\pm 1^\circ$
5. TYPE 2 LOCK WASHER TO BE USED ONLY FOR THE TEE-BAR ASSEMBLY FOR DUAL LANTERNS.
6. ALL DIMENSIONS IN MILLIMETRES (U.N.O.).

A	ORIGINAL ISSUE	April '09	IC 12/10	PC 01/11
ISSUE	AMENDMENT	DRAWN DATE	CHK'D DATE	APPR'D DATE

DESIGN AUTHORISED FOR ISSUE			
P COTTON SIGNATURE ON ORIGINAL			
MANAGER CITY ASSETS - R.P.E.Q: <u>2546</u>			
DESIGN APPROVED			
I. CONDRIK SIGNATURE ON ORIGINAL DATED 12/10			
PRINCIPAL ENGINEER ROAD NETWORK INFRASTRUCTURE - R.P.E.Q: <u>8591</u>			
DESIGN	Brisbane Infrastructure	DATE	April '09
DRAWN	Brisbane Infrastructure	DATE	April '09
CHECKED	I. Condric	DATE	Dec '10
DRAWING FILENAME	UMS 600_045		
ASSOCIATED PLANS			



BRISBANE CITY COUNCIL STANDARD DRAWING

LOCK WASHERS

SCALE NOT TO SCALE	
DWG No. UMS 600/045	
ORIGINAL SIZE	REVISION
A3	A