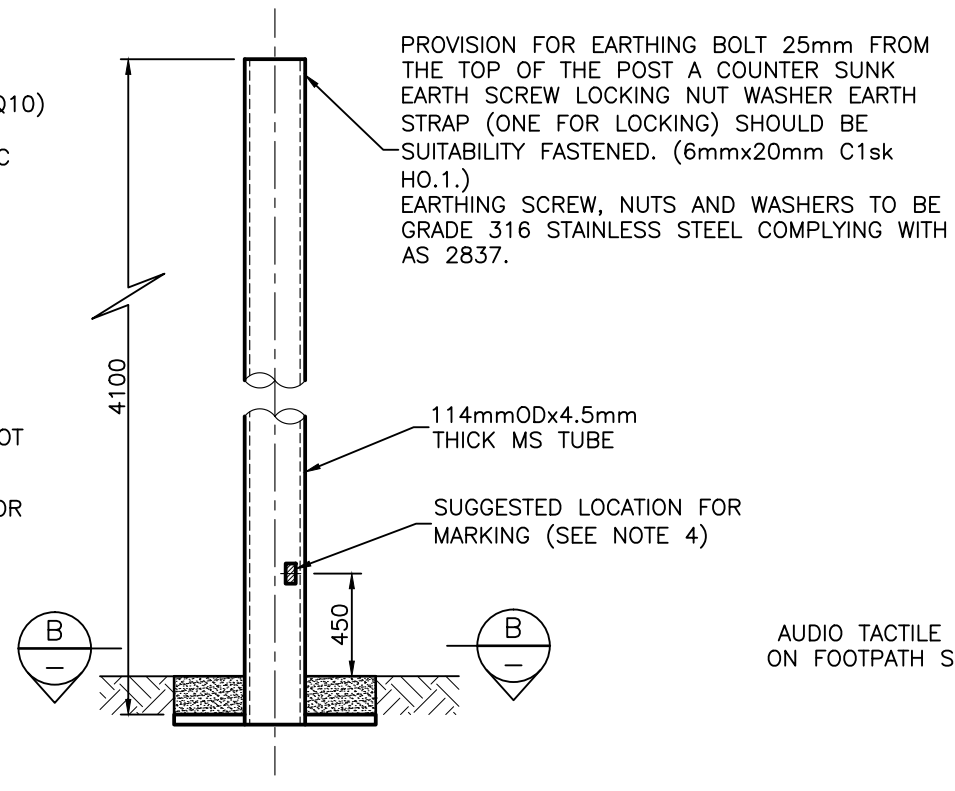
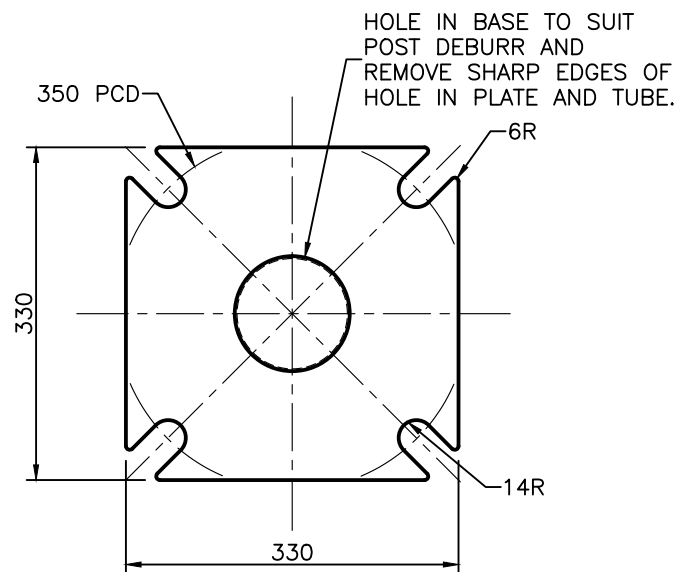


**PUSH BUTTON  
PEDESTRIAN/CYCLIST POST**

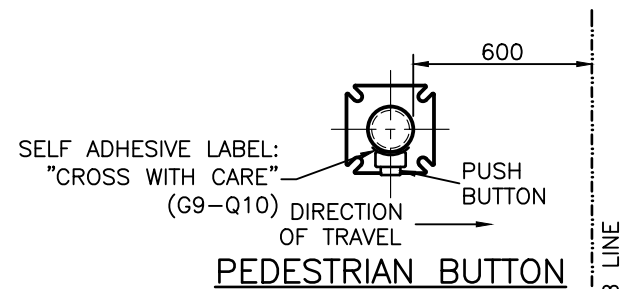


**TRAFFIC SIGNAL  
POST (4.1m)**

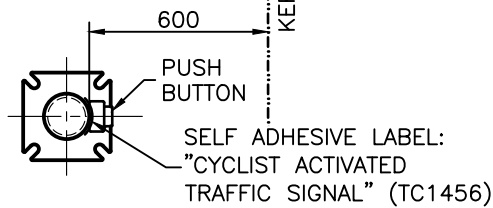


**BASE PLATE DETAIL  
SECTION B-B**

4 OF 28mm WIDE SLOTS ON 350mm PITCH CIRCLE  
DIAMETER 16mm THICK MILD STEEL.



**PEDESTRIAN BUTTON**



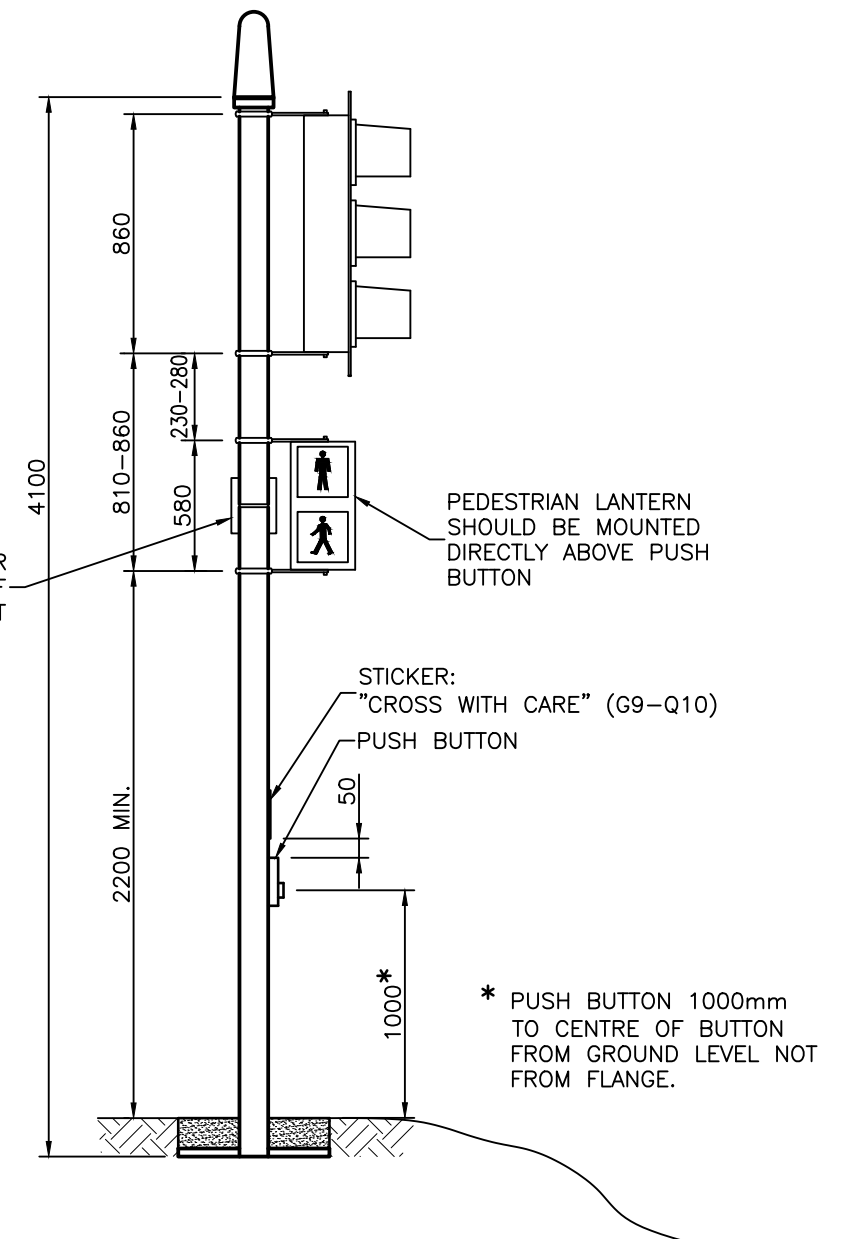
**CYCLIST BUTTON**

**PUSH BUTTON  
ORIENTATION**



**SIGNS**

AUDIO TACTILE DRIVER  
ON FOOTPATH SIDE OF  
POST



PEDESTRIAN LANTERN  
SHOULD BE MOUNTED  
DIRECTLY ABOVE PUSH  
BUTTON

STICKER:  
"CROSS WITH CARE" (G9-Q10)  
PUSH BUTTON

\* PUSH BUTTON 1000mm  
TO CENTRE OF BUTTON  
FROM GROUND LEVEL NOT  
FROM FLANGE.

**NOTES:**

1. REMOVE ALL BURRS AND SHARP EDGES FROM HOLES THE SURFACE OF THE TUBULAR SECTION SHALL BE SMOOTH AND FREE FROM DAGS OR SHARP PROJECTIONS.
2. POST TO BE MANUFACTURED IN ACCORDANCE WITH AS2339 AND HOT DIPPED GALVANISED ITO AS/NZS4680.
3. PUSH BUTTON ASSEMBLIES TO AS2353.
4. MANUFACTURERS IDENTIFICATION AND DATE OF MANUFACTURE SHALL BE LEGIBLY AND DURABLY MARKED.
5. REFER TO UMS 600/050 AND UMS 600/060 FOR FOOTING DETAILS.
6. REFER TO QUEENSLAND MANUAL OF UNIFORM TRAFFIC CONTROL DEVICES (MUTCD) AND QUEENSLAND DEPARTMENT OF TRANSPORT AND MAIN ROADS DRAWING TC1456 FOR LABEL DETAILS.
7. DIMENSIONS IN MILLIMETRES (U.N.O.).

ISSUE	AMENDMENT	DRAWN DATE	CHK'D DATE	APPR'D DATE
D	Dwg No. Changed, Section A Removed, Weld Details Removed, Ped Lantern Mounting Dimension Altered.	Nov '09	IC 01/11	PC 01/11
C	PUSH BUTTON POST HEIGHT MODIFIED	JULY '05	CIG 09.12.05	AMG 09.12.05
B	DRAWING AMENDED	Nov 04	CIG 02/05	AG 02/05
A	ORIGINAL ISSUE	April '01	May '01	June '01

DESIGN AUTHORISED FOR ISSUE B. BALL SIGNATURE ON ORIGINAL DATED 29/6/01				DESIGN	STD DWG GROUP	DATE	April '01
MANAGER ASSET SUPPORT - R.P.E.Q: 3 8 5 2				DRAWN	CITY DESIGN	DATE	April '01
DESIGN APPROVED K. MEMORY SIGNATURE ON ORIGINAL DATED 27/6/01				CHECKED	R. WILSON	DATE	May '01
SENIOR PROGRAM OFFICER NETWORK OPERATIONS - R.P.E.Q: 4 7 6 1				DRAWING FILENAME	UMS 600_051		
				ASSOCIATED PLANS	Previous Dwg No. UMS 640		



**BRISBANE CITY COUNCIL STANDARD DRAWING**

**POST DETAILS**

SCALE: NOT TO SCALE

DWG No. **UMS 600/051**

ORIGINAL SIZE: A3 REVISION: D