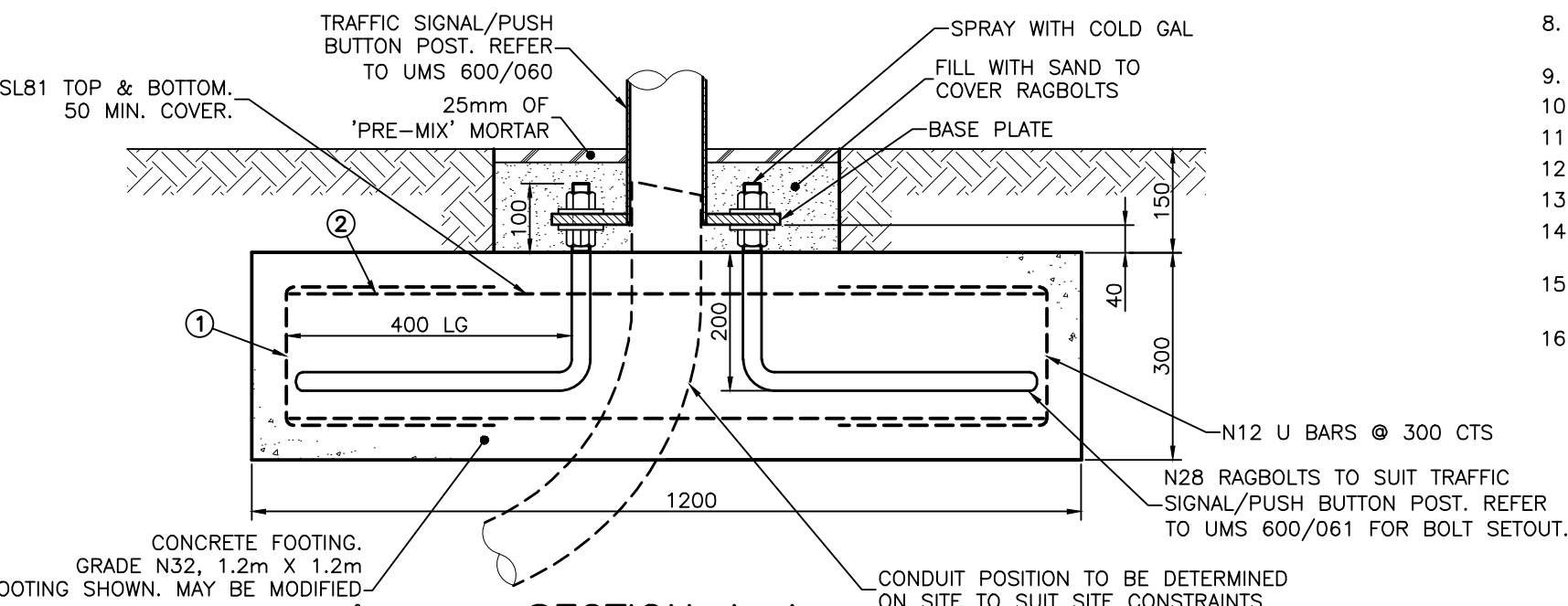


PLAN VIEW



**SECTION A-A
(SEALED SURFACE)**

MATERIALS LIST

ITEM No.	No. OFF	ITEM DESCRIPTION	MATERIAL DESCRIPTION	QUANTITY	GRADE
7	1	CONCRETE SLAB	CONCRETE	0.43m ³ *	N25
6	4	'L' SHAPED ANCHOR BAR	N28 BAR WITH M24 THREAD	675mm	-
5	8	LEVELLING NUTS—REFER TO NOTES 1 & 3	M24 HEX GALV. NUT		8.8/S
4	8	GALVANISED WASHERS	25mmØ x 5mm GALV. WASHERS		-
2	2	REINFORCING MESH	SL81 MESH	1.2m ² *	M.S.
1	12*	'U' BARS	N12 BAR	800mm	M.S.

NOTE: * = FOR TYPICAL 1.2m x 1.2m FOOTING. No. OFF/QUANTITIES WILL VARY FOR SMALLER FOOTING.

NOTES

- ALL NUTS TO CONFORM TO AS1112 AND AS1252 & HOT DIPPED GALVANISED TO AS1214.
- ALL WASHERS TO BE HOT DIPPED GALVANISED TO AS1214.
- SCREW ON EACH BAR TWO NUTS WITH TWO FLAT WASHERS BETWEEN THEM AFTER GALVANISING.
- ANCHOR BARS TO BE CLEANED AND THE WELDING SLAG REMOVE PRIOR TO BEING HOT DIP GALVANISED TO AS/NZS4680 AND AS1214.
- THREADS SHOULD BE CLEAN AFTER GALVANISING AND A TEMPLATE PLACED OVER THREADED ENDS TO ENSURE THE ACCURACY OF THE P.C.D. OF BARS.
- TOLERANCES: DIMENSIONAL ±5.0 (U.N.O.).
- FOR 1.7m/4.1m POST RAG BOLT SETOUT DETAILS REFER UMS 600/060 AND UMS 600/061.
- DESIRABLE WIDTH OF FOOTING TO BE 1200mm x 1200mm, MINIMUM WIDTH OF FOOTING 900mm.
- CONCRETE SHALL BE N32.
- 50 COVER TO ALL BARS.
- FOR FOOTINGS IN GRASS SURFACE REFER ALSO TO UMS 600/060.
- A LICENSED ELECTRICAL WORKER SHALL SUPERVISE THE INSTALLATION OF CONDUIT.
- BASE PLATE AS PER UMS600/061.
- FOR THE PROVISION OF RECTANGULAR FOOTING, LONGER DIMENSION TO BE ORIENTATED PARALLEL TO THE DIRECTION OF THE LANTERN FACE.
- 25mm MAX. HEIGHT OF THREAD TO BE LEFT PROTRUDING ABOVE BASE PLATE LOCK DOWN NUT.
- ALL DIMENSIONS IN MILLIMETRES (U.N.O.).

ISSUE	AMENDMENT	DRAWN DATE	CHK'D DATE	APPR'D DATE
C	Dwg No. Changed, Plan View Added, Notes 13 & 14 Added	DL 11/09	IC 01/11	PC 01/11
B	Notes 6&7 Modified, Note 8 Added	DL 09/06	CMG 2.11.06	AMG 11.06
A	ORIGINAL ISSUE	Aug '05	Nov '05	Mar '06

DESIGN AUTHORISED FOR ISSUE P COTTON SIGNATURE ON ORIGINAL DATED 21/03/06				DESIGN	CD (Traffic Sig)	DATE	Aug '05
MANAGER INFRASTRUCTURE MANAGEMENT R.P.E.Q.: 2546				DRAWN	CD (Traffic Sig)	DATE	Aug '05
DESIGN APPROVED A GIBBONS SIGNATURE ON ORIGINAL DATED 09/12/05				CHECKED	T&T (Signals Man)	DATE	Nov '05
TEAM LEADER SIGNALS OPERATIONS				DRAWING FILENAME	/UMS 600_062		
				ASSOCIATED PLANS	Pervious Dwg No. UMS 619		



BRISBANE CITY COUNCIL - CITY POLICY & STRATEGY DIVISION

**SPREAD FOOTING DETAILS
4.1m TRAFFIC SIGNAL AND
1.7m PUSH BUTTON POSTS**

SCALE	
AS SHOWN	
DWG No. UMS 600/062	
ORIGINAL SIZE	REVISION
A3	C