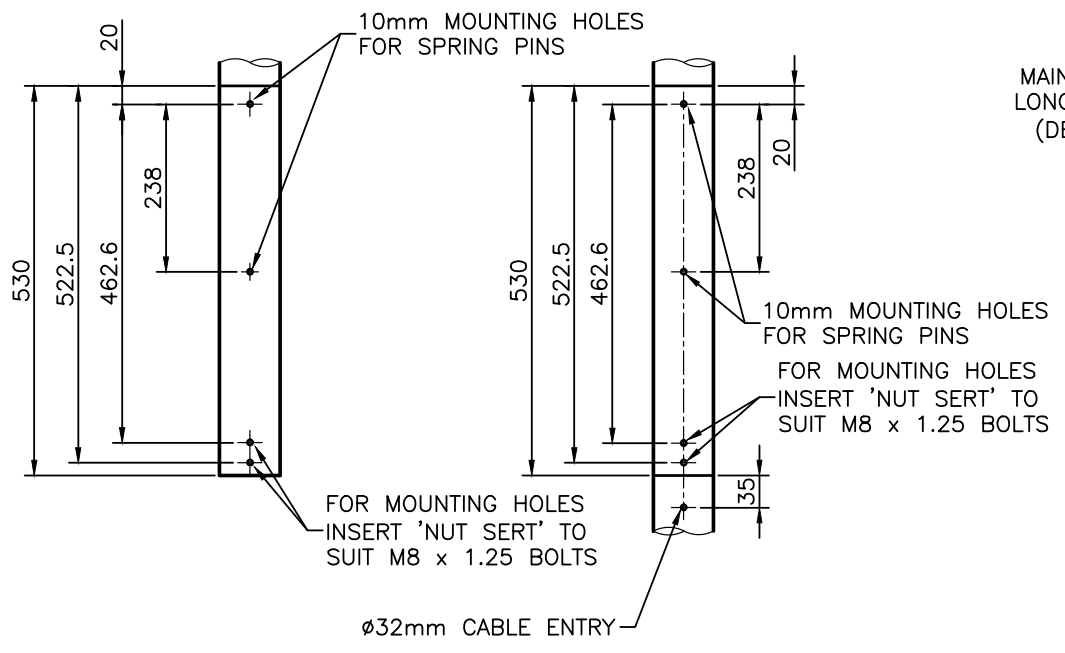


- BUS POST VMS PLATE**
- * DOUBLE SIDED SIGN PLATE (SEMI-CIRCULAR)
 - * POWDER COAT FINISH - WHITE
 - * SCREEN PRINTED WITH BRISBANE TRANSPORT AND TRANSLINK LOGOS AND INFORMATION NUMBER.

SOIL BEARING CAPACITY (kPa)	100	150
FOOTING DEPTH D _{MIN} (mm)	940	760

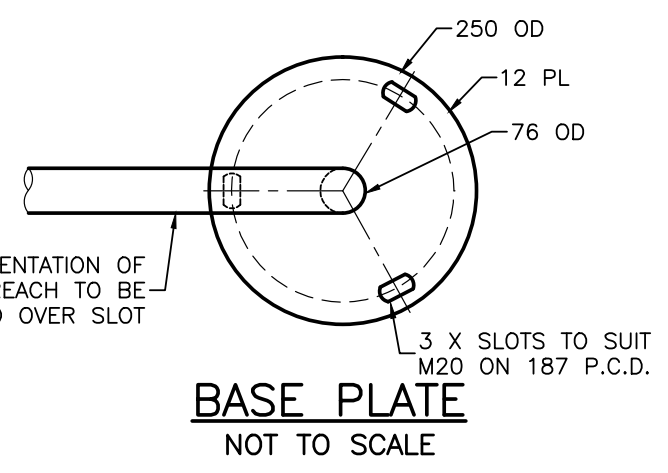
ELEVATION
NOT TO SCALE



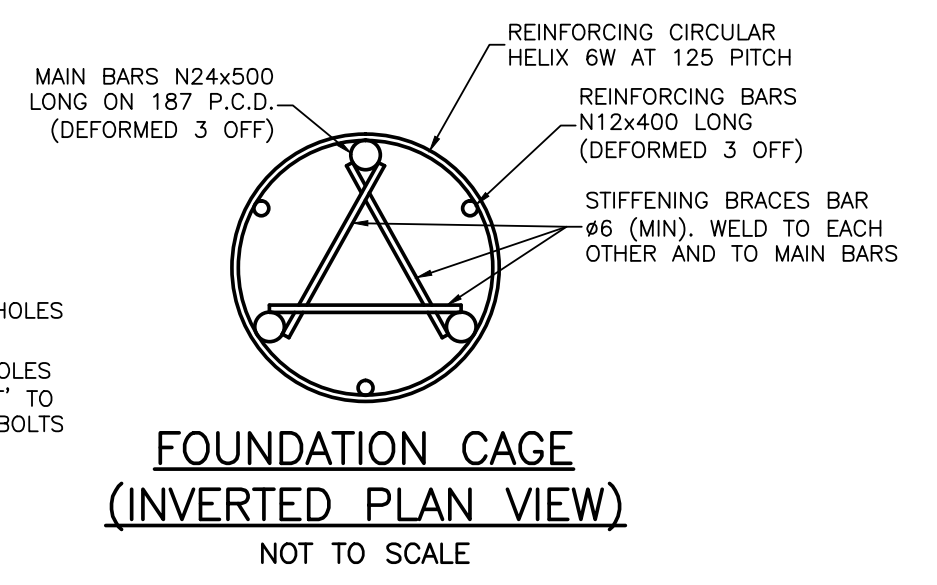
SECTION A-A
NOT TO SCALE

SECTION B-B
NOT TO SCALE

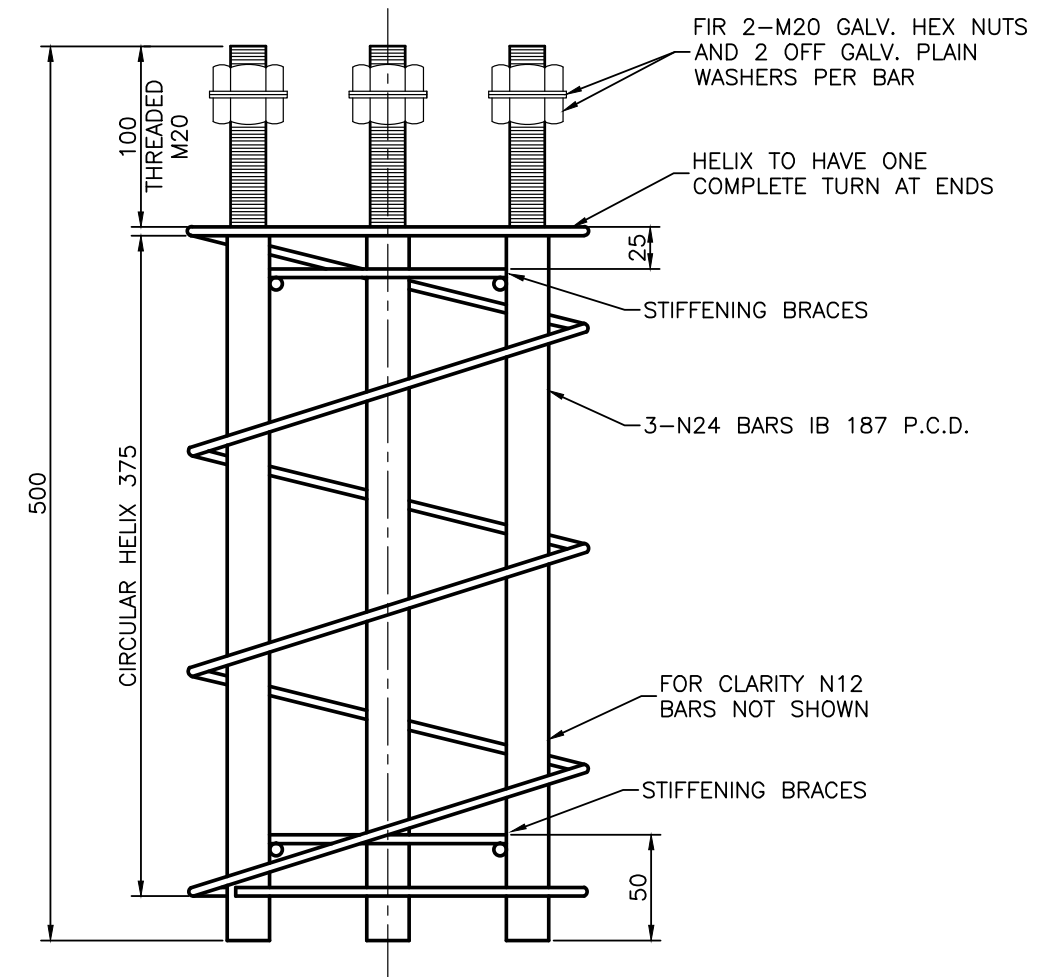
- NOTES:**
1. STEEL PLATES TO AS3678-250 U.N.O.
 2. PIPE AND HOLLOW SECTIONS TO AS1163 GRADE C250 OR C350 U.N.O.
 3. WELDS 6mm FILLET U.N.O. TO AS1554.1 GP, U.N.O.
 4. GALVANISING TO AS1650.
 5. AFTER GALVANISING REMOVE BURRS, SHARP EDGES AND TAP THREADS.
 6. FLAT AND SECTIONS TO AS3679-250 U.N.O.
 7. STAINLESS STEEL FITTINGS GRADE 304
 8. FABRICATION TOLERANCES TO DWG No. W1-97-00 U.N.O.
 9. CONCRETE SHALL BE N25.
 10. A LICENSED ELECTRICAL WORKER SHALL SUPERVISE THE INSTALLATION OF THE CONDUIT.
 11. WHERE EXISTING 16 CHARACTER SIGNS REQUIRE MAINTENANCE, REPLACE WITH NEW 20 CHARACTER SIGN.
 12. DESIGN STANDARDS: AS4676-2000, AS1170.2-2002.
 13. TERRAIN CATEGORY 2.5.
 14. IMPORTANCE FACTOR 2.
 15. ALL DIMENSIONS IN MILLIMETRES (U.N.O.).



BASE PLATE
NOT TO SCALE



FOUNDATION CAGE
(INVERTED PLAN VIEW)
NOT TO SCALE



FOUNDATION CAGE
NOT TO SCALE

ISSUE	AMENDMENT	DRAWN DATE	CHK'D DATE	APPR'D DATE
D	Dwg Title & No. Chgd, Bar Type/Dia Mod. In Cage Detail.	DL 11/09	IC 12/10	PC 01/11
C	Dim in Section B-B Corrected	DJL 07/07	BH 08/07	BH 08/07
B	Notes 5&9 Modified	DL 09/06	CMG 2.11.06	AMG 11.06
A	ORIGINAL ISSUE	Oct '05	Nov '05	Mar '06

DESIGN AUTHORISED FOR ISSUE			
P COTTON SIGNATURE ON ORIGINAL DATED 21/03/06			
MANAGER INFRASTRUCTURE MANAGEMENT			
R.P.E.Q.: 2546			
DESIGN APPROVED			
A GIBBONS SIGNATURE ON ORIGINAL DATED 09/12/05			
TEAM LEADER SIGNALS OPERATIONS			
DESIGN	CD (Traffic Sig)	DATE	Oct '05
DRAWN	CD (Traffic Sig)	DATE	Oct '05
CHECKED	T&T (Signals Man)	DATE	Nov '05
DRAWING FILENAME	UMS 600_070		
ASSOCIATED PLANS			



BRISBANE CITY COUNCIL - CITY POLICY & STRATEGY DIVISION

BUS POST FOR VARIABLE MESSAGE SIGNS (20 CHARACTER SIGN)

SCALE: NOT TO SCALE	
DWG No. UMS 600/070	
ORIGINAL SIZE: A3	REVISION: D