

CONNECTION CONFIGURATION

EB

36	DETECTOR 32
35	DETECTOR 31
34	DETECTOR 30
33	DETECTOR 29
32	DETECTOR 28
31	DETECTOR 27
30	DETECTOR 26
29	DETECTOR 25
28	DETECTOR 24
27	DETECTOR 23
26	DETECTOR 22
25	DETECTOR 21
24	DETECTOR 20
23	DETECTOR 19
22	DETECTOR 18
21	DETECTOR 17

EA

20	DETECTOR 16
19	DETECTOR 15
18	DETECTOR 14
17	DETECTOR 13
16	DETECTOR 12
15	DETECTOR 11
14	DETECTOR 10
13	DETECTOR 9
12	DETECTOR 8
11	DETECTOR 7
10	DETECTOR 6
9	DETECTOR 5
8	DETECTOR 4
7	DETECTOR 3
6	DETECTOR 2
5	DETECTOR 1
4	WAIT LAMP RETURN
3	32 V DETECTOR RETURN
2	240 V FOR LOOP DETECTORS NEUTRAL FOR LOOP DETECTORS
1	

D

16	SPARE	
15	WAIT 4	
14	RED	} SIGNAL GROUP 16
13	YELLOW	
12	GREEN	} SIGNAL GROUP 15
11	RED	
10	YELLOW	} SIGNAL GROUP 14
9	GREEN	
8	RED	} SIGNAL GROUP 13
7	YELLOW	
6	GREEN	} SIGNAL GROUP 12
5	RED	
4	YELLOW	} SIGNAL GROUP 11
3	GREEN	
2	LAMP ACTIVE (UNDIMMED)	} SIGNAL GROUP 10
1	LAMP NEUTRAL	

C

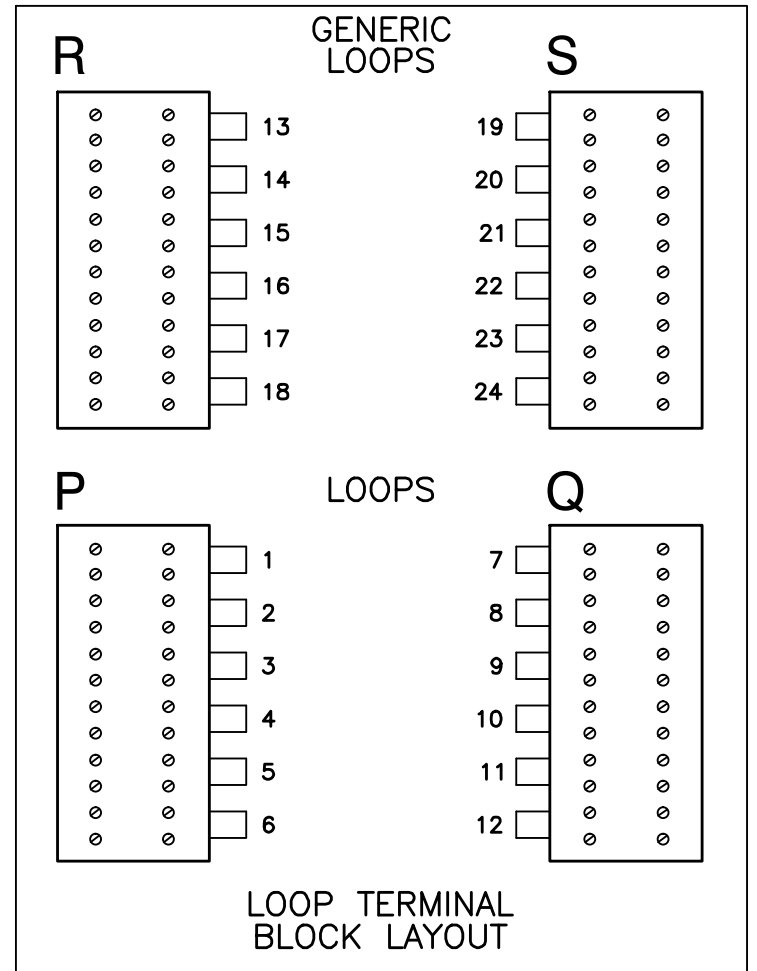
16	SPARE	
15	WAIT 4	
14	RED	} SIGNAL GROUP 12
13	YELLOW	
12	GREEN	} SIGNAL GROUP 11
11	RED	
10	YELLOW	} SIGNAL GROUP 10
9	GREEN	
8	RED	} SIGNAL GROUP 9
7	YELLOW	
6	GREEN	} SIGNAL GROUP 8
5	RED	
4	YELLOW	} SIGNAL GROUP 7
3	GREEN	
2	LAMP ACTIVE (UNDIMMED)	} SIGNAL GROUP 6
1	LAMP NEUTRAL	

B

16	SPARE	
15	WAIT 4	
14	RED	} SIGNAL GROUP 8
13	YELLOW	
12	GREEN	} SIGNAL GROUP 7
11	RED	
10	YELLOW	} SIGNAL GROUP 6
9	GREEN	
8	RED	} SIGNAL GROUP 5
7	YELLOW	
6	GREEN	} SIGNAL GROUP 4
5	RED	
4	YELLOW	} SIGNAL GROUP 3
3	GREEN	
2	LAMP ACTIVE (UNDIMMED)	} SIGNAL GROUP 2
1	LAMP NEUTRAL	

A

16	SPARE	
15	WAIT 4	
14	RED	} SIGNAL GROUP 4
13	YELLOW	
12	GREEN	} SIGNAL GROUP 3
11	RED	
10	YELLOW	} SIGNAL GROUP 2
9	GREEN	
8	RED	} SIGNAL GROUP 1
7	YELLOW	
6	GREEN	} SIGNAL GROUP 1
5	RED	
4	YELLOW	} SIGNAL GROUP 1
3	GREEN	
2	LAMP ACTIVE (UNDIMMED)	} SIGNAL GROUP 1
1	LAMP NEUTRAL	



ISSUE	AMENDMENT	DRAWN DATE	CHK'D DATE	APPR'D DATE
B	Drawing Number & Title Changed	Sept '10	IC 12/10	PC 01/11
A	ORIGINAL ISSUE	April '01	May '01	June '01

DESIGN AUTHORIZED FOR ISSUE B. BALL SIGNATURE ON ORIGINAL DATED 29/6/01				DESIGN	STD DWG GROUP	DATE	April '01
MANAGER ASSET SUPPORT - R.P.E.Q: 3 8 5 2				DRAWN	CITY DESIGN	DATE	April '01
DESIGN APPROVED B. HANSEN SIGNATURE ON ORIGINAL DATED 27/6/01				CHECKED	M. STEER	DATE	May '01
PRINCIPAL ASSET OFFICER ROADS & DRAINAGE				DRAWING FILENAME	UMS 600_086		
				ASSOCIATED PLANS	Previous Dwg No. UMS 631		



BRISBANE CITY COUNCIL STANDARD DRAWING

CONTROLLER TERMINAL LAYOUT

SCALE: NOT TO SCALE
DWG No: **UMS 600/086**
ORIGINAL SIZE: A3 REVISION: B