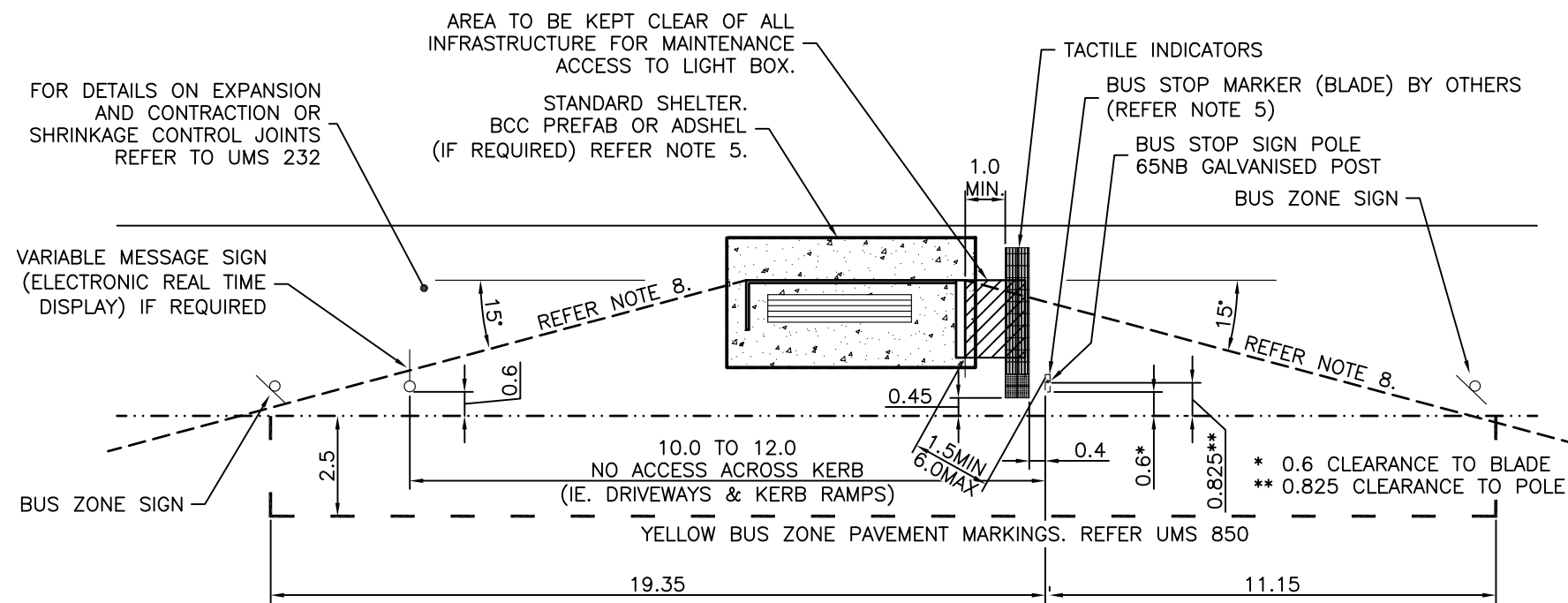


PREMIUM REQUIREMENTS NTS

LEGEND:

- HAZARD TACTILE GROUND SURFACE INDICATORS AS PER AS1428.4 (APPENDIX A3)
- DIRECTIONAL TACTILE GROUND SURFACE INDICATORS AS PER AS1428.4 (APPENDIX A3)



BUS STOP ZONE IN CBD NTS

NOTES:

1. BUS STOP LONGITUDINAL GRADE OF 5% (1in20) OVER 18m DESIRABLE TO MEET DISABILITY STANDARDS.
2. CLEAR ACCESS OF 1.2m MINIMUM REQUIRED BETWEEN ALL INFRASTRUCTURE TO MEET DISABILITY STANDARDS.
3. HARDSTANDS TO BE 150mm THICK BROOM FINISHED (FOR SLIP RESISTANCE) GRADE N25 CONCRETE. SL82 MESH PLACED CENTRALLY.
4. FOR DETAILS OF BUS STOP SIGN AND FOOTING FOR 'J' POLE REFER TO URBAN TRANSPORT SIGNS MANUAL. TO BE INSTALLED BY OTHERS.
5. FOR BUS STOP SHELTER AND MARKER DETAILS REFER TO URBAN TRANSPORT BUS STOP GUIDELINES. TO BE INSTALLED BY OTHERS.
6. FOR ADSHEL BUS SHELTER DETAILS REFER TO UMS 275 & 276. GREEN SHELTERS WITH GLASS PANELS ARE INSTALLED AND MAINTAINED BY ADSHEL.
7. FOR CONCRETE BUS BAY SLAB DETAILS REFER TO UMS 263 & 264.
8. WHERE PLANTINGS ARE PROVIDED, USE ONLY GROUND COVER OR LOW SHRUBS (<0.5m HIGH). TREES FOR SHADE SHOULD BE LONG-TRUNKED WITH MINIMUM BRANCH HEIGHT OF 4.5m. PLANTINGS SHOULD NOT OBSTRUCT LINE OF SIGHT BETWEEN APPROACHING BUS AND WAITING PASSENGERS. (URBAN TRANSPORT TO APPROVE LAYOUT).
9. WHERE BUS STOP INSTALLED ON A KNOWN BICYCLE PATH/ROUTE, INCREASE PATH THROUGH/BEHIND STOP TO 1.8m MINIMUM, 2.0m MAXIMUM (WHERE SPACE ALLOWS).
10. DIMENSIONS IN METRES (U.N.O.).

ISSUE	AMENDMENT	DRAWN DATE	CHK'D DATE	APPR'D DATE
B	Note 9 Added (Bike Path Requirements)	DL 07/07	BH 08/07	BH 08/07
A	ORIGINAL ISSUE	May '04	Nov '05	Mar '06

DESIGN AUTHORISED FOR ISSUE P COTTON SIGNATURE ON ORIGINAL DATED 21/03/06				DESIGN	DBS (City Design)	DATE	May '04
MANAGER CITY ASSETS, R.P.E.Q. 2546				DRAWN	MAB (City Design)	DATE	May '04
DESIGN APPROVED B HANSEN SIGNATURE ON ORIGINAL DATED 13/03/06				CHECKED	DJL (City Assets)	DATE	Nov '05
PRINCIPAL ENGINEER STRATEGIC INFRASTRUCTURE MANAGEMENT				DRAWING FILENAME	UMS 271.dwg		
				ASSOCIATED PLANS			



BRISBANE CITY COUNCIL - CITY POLICY & STRATEGY DIVISION

BUS STOP PREMIUM AND CBD REQUIREMENTS

SCALE		NOT TO SCALE	
DWG No.		UMS 271	
ORIGINAL SIZE	A3	REVISION	B