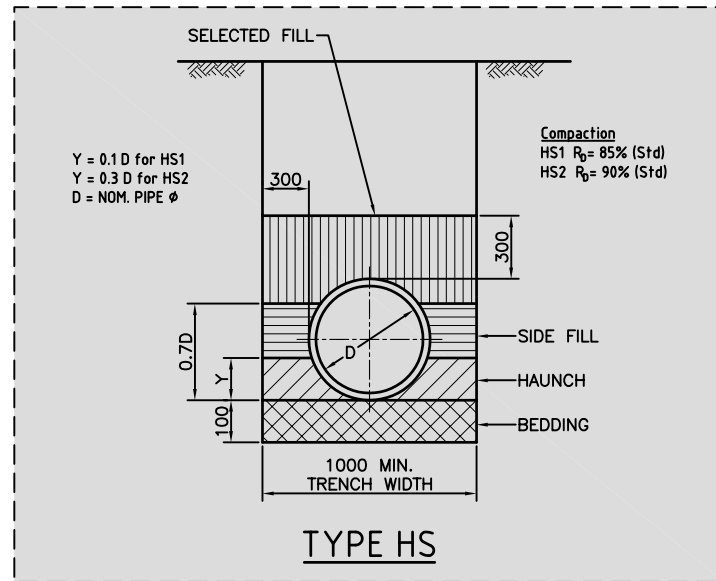


STRUCTURE NAME
STRUCTURE DESCRIPTION



PIPE SUPPORT/BEDDING CONFIGURATION AS DEFINED IN AS3725

STORMWATER LONGITUDINAL SECTION

PIPE CLASS & TRENCH DETAIL HAS BEEN CHECKED USING CONCRETE PIPE ASSOCIATION OF AUST. PROGRAM - PIPECLASS V1.1 AND JAMES HARDIE FRC PIPES PROGRAM - PIPELOAD V3.01. CONSTRUCTION LOADS APPLIED WERE:
 A) SCRAPER - CAT621F (53.8T)
 B) EXCAVATOR - CAT325B (25.9T)
 C) COMPACTOR - CAT815F (20.9T)
 D) EXCAVATOR WITH 580mm WIDE ROLLER (25.0T)
 IF THE CONTRACTOR USES DIFFERENT OR HEAVIER EQUIPMENT THAN SHOWN ABOVE, THE CONTRACTOR SHALL BE REQUIRED TO DETERMINE IF THE CLASS OF PIPE FOR THIS PROJECT IS ADEQUATE. CONTRACTOR SHALL BE RESPONSIBLE FOR ANY ADDITIONAL COSTS INCURRED AS A RESULT.
 ADOPTED MINIMUM FILL DEPTH OF 700mm DURING CONSTRUCTION.

EXAMPLE DESIGN CONSTRUCTION COMPACTION EQUIPMENT/LOADS AND ALTERATION OBLIGATIONS

NO MORE THAN TWO (2) WEEKS BEFORE ON-MAINTENANCE INSPECTION, THE CONTRACTOR SHALL UNDERTAKE A CCTV DEFECT/CONDITION INSPECTION WITH WINCAN REPORT (TO BE SUBMITTED TO COUNCIL) TO DEMONSTRATE THAT THE STORMWATER SYSTEM IS ACCEPTABLE TO COUNCIL.
 FOR DEFECT CRITERIA REFER BCC INTERIM SPECIFICATION FOR THE ACCEPTANCE, REPAIR OR REJECTION OF NEWLY CONSTRUCTED STEEL REINFORCED CONCRETE STORMWATER PIPELINES.
 UNACCEPTABLE DEFECTS ARE TO BE RECTIFIED BY THE CONTRACTOR AT THEIR OWN EXPENSE BEFORE ACCEPTANCE OF WORKS AT OFF-MAINTENANCE.

"ON-MAINTENANCE" AND CCTV INSPECTION REQUIREMENTS

DETAIL ON LONGITUDINAL SECTION SHOWING:
 - PIPE TYPE OR MATERIAL (FRCP/SRCP/FLEXIBLE)
 - PIPE Ø
 - PIPE CLASS (DETERMINED BY CONSTRUCTION LOADS OR IN-SERVICE LOADS WHICHEVER IS MORE SEVERE)
 - BEDDING TYPE

PIPE TYPE or MATERIAL	FRCP	SRCP
PIPE SIZEmm	300	375
PIPE CLASS - BEDDING CONFIGURATION	3 - HS2	3 - HS2
PIPE GRADE%	2.80%	0.40%
PIPE SLOPE 1 in X	35.78	249.99

LONGITUDINAL SECTION INFORMATION

NOTES:

- DETAILS SHOWN ARE TYPICAL LAYOUT ONLY - ACTUAL DETAILS WILL VARY ON A PROJECT TO PROJECT BASIS.
- DETAILS THAT MUST BE SHOWN INCLUDE:
 - BEDDING TYPE (DIAGRAM AND/OR DESCRIPTION);
 - DESIGN CONSTRUCTION/COMPACTION EQUIPMENT/LOADS UTILISED;
 - DESIGN UTILITY/SOFTWARE USED;
 - OBLIGATIONS IF DESIGN CONSTRUCTION/COMPACTION EQUIPMENT/LOADS ARE ALTERED;
 - CCTV INSPECTION AND REPORTING REQUIREMENTS.
- PIPE DETAILS ON LONG SECTION CLEARLY SHOWS PIPE TYPE/MATERIAL, PIPE Ø/SIZE, PIPE CLASS AND BEDDING TYPE.
- ACCEPTABLE PIPE LOAD DESIGN SOFTWARE FOR REINFORCED CONCRETE PIPE (FRCP/SRCP) INCLUDES:
 - PIPECLASS: DEVELOPED BY CONCRETE PIPE ASSOCIATION OF AUSTRALASIA (www.cpa.org.au);
 - PIPELOAD: DEVELOPED FOR JAMES HARDIE FRC PIPES (www.jameshardiefrcpipes.com.au).
- FOR MINIMUM PIPE COVER FOR TYPICAL CONSTRUCTION AND COMPACTION EQUIPMENT, REFER UMS 301 (SRC PIPES) AND UMS 302 (FRC PIPES).
- FOR FLEXIBLE (POLYETHYLENE/POLYPROPYLENE) PIPE TYPES, REFER MANUFACTURERS REQUIREMENTS FOR DESIGN AND CONSTRUCTION LOADINGS:
 - IPLEX PIPELINES AUSTRALIA (www.iplex.com.au)
 - RIB LOC AUSTRALIA PTY LTD (www.ribloc.com.au)
- ALL DIMENSIONS IN MILLIMETRES (U.N.O.).

ISSUE	AMENDMENT	DRAWN DATE	CHK'D DATE	APPR'D DATE
A	ORIGINAL ISSUE	Nov '05	Nov '05	Mar '06

DESIGN AUTHORIZED FOR ISSUE P COTTON SIGNATURE ON ORIGINAL DATED 23/03/06	DESIGN	CAB (DJL)	DATE	Nov '05
MANAGER CITY ASSETS, R.P.E.Q. 2546	DRAWN	CAB (DJL)	DATE	Nov '05
DESIGN APPROVED B HANSEN SIGNATURE ON ORIGINAL DATED 23/03/06	CHECKED	CAB (KP)	DATE	
PRINCIPAL ENGINEER STRATEGIC INFRASTRUCTURE MANAGEMENT	DRAWING FILENAME	\\UMS 303.dwg		
	ASSOCIATED PLANS			



BRISBANE CITY COUNCIL - CITY POLICY & STRATEGY DIVISION

CONSTRUCTION LOADS TYPICAL DETAIL REQUIREMENTS FOR LONG SECTION DRAWINGS

SCALE: NOT TO SCALE
 DWG No. UMS 303
 ORIGINAL SIZE: A3 REVISION: A