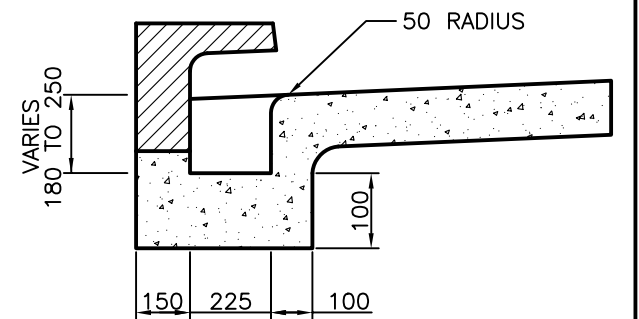
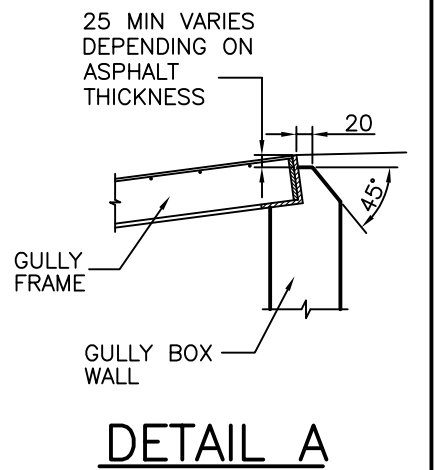
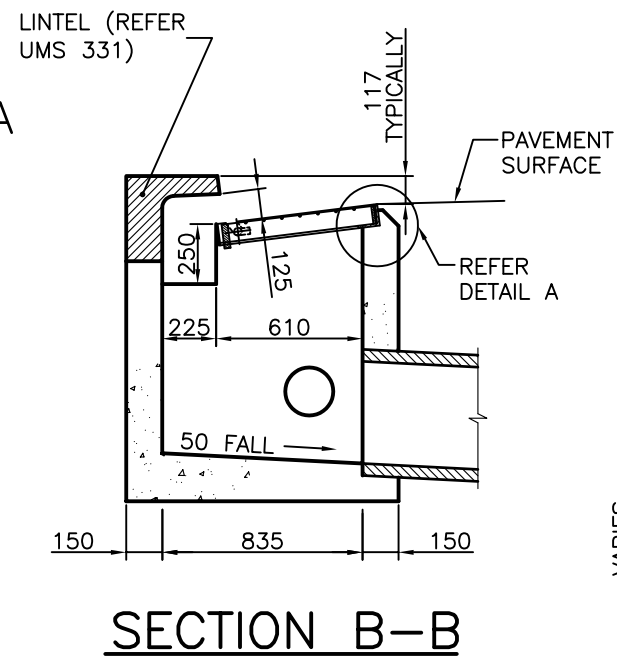


GAS RE-ALIGNMENT DETAILS



NOTES:

1. REFER UMS 331 FOR LINTEL DETAILS.
2. CAST INSITU CONCRETE N25 TO AS 1379 AND AS 3600.
3. REFER UMS 332 & 333 FOR GULLY GRATE AND FRAME DETAILS.
4. UNLESS APPROVED OTHERWISE BY COUNCIL DELEGATE, LIMIT DEPTH OF GULLY TO 1.35m.
5. DIMENSIONS IN MILLIMETRES (UNO).

ISSUE	AMENDMENT	DRAWN DATE	CHK'D DATE	APPR'D DATE
C	Gas re-alignment details modified.	DJL 03/05	BH 03/05	BH 03/05
B	On grade approach transition length modified	DL 04/02	CD 02/03	BH 02/03
A	ORIGINAL ISSUE	April '01	May '01	June '01

DESIGN AUTHORIZED FOR ISSUE B. BALL SIGNATURE ON ORIGINAL DATED 29/6/01	DESIGN	STD DWG GROUP	DATE	April '01
MANAGER ASSET SUPPORT - R.P.E.O. 3, 8, 5, 2	DRAWN	CITY DESIGN	DATE	April '01
DESIGN APPROVED	CHECKED	M. STEER	DATE	May '01
B. HANSEN SIGNATURE ON ORIGINAL DATED 27/6/01	DRAWING FILENAME	UIMS 330	ASSOCIATED PLANS	
PRINCIPAL ASSET OFFICER ROADS & DRAINAGE				



BRISBANE CITY COUNCIL - URBAN MANAGEMENT DIVISION

**TYPE 'A' GULLY
LIP IN LINE**

SCALE	NOT TO SCALE
DWG No.	UMS 330
ORIGINAL SIZE	A3
REVISION	C