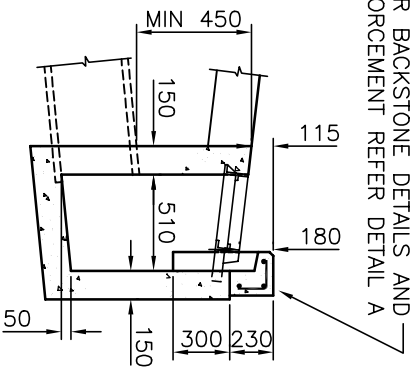
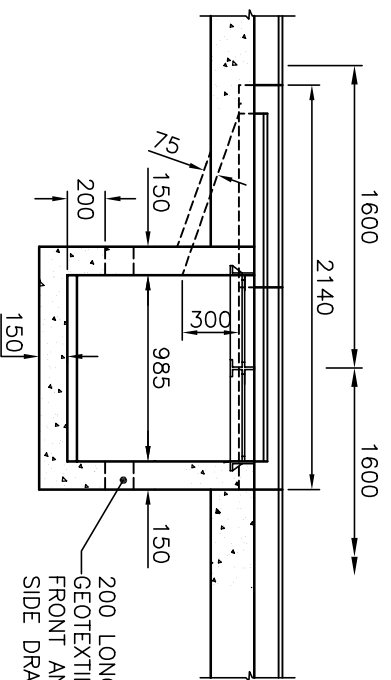


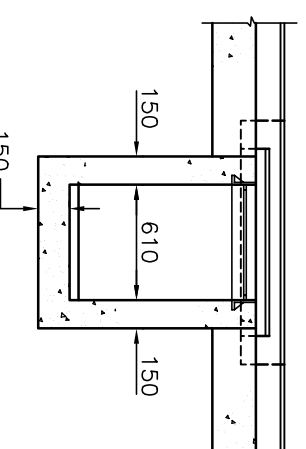
FOR BACKSTONE DETAILS AND REINFORCEMENT REFER DETAIL A



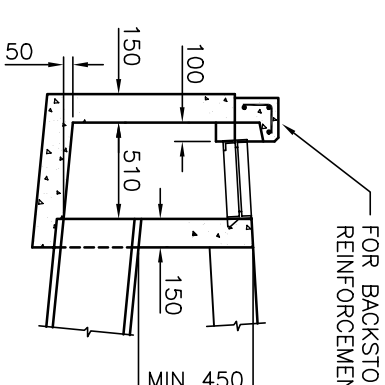
3200 BACKSTONE TO BE USED WHEN GULLY IS IN A SAG



200 LONG UPVC PIPESTUB WITH GEOTEXTILE FABRIC PLUGS TO FRONT AND BOTH SIDES, FOR SIDE DRAIN CONNECTION.



**SECTION D-D**



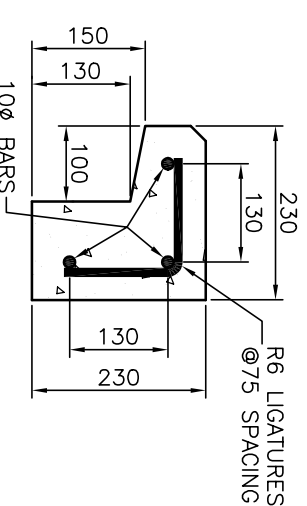
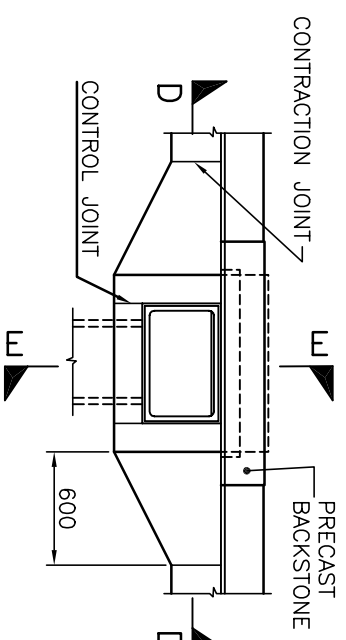
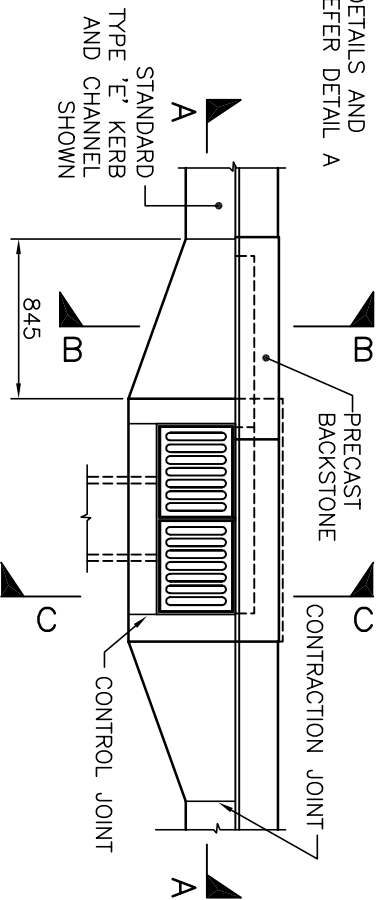
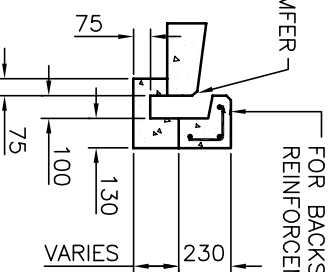
FOR BACKSTONE DETAILS AND REINFORCEMENT REFER DETAIL A

**SECTION E-E**

**SECTION C-C**

**SECTION A-A**

FOR BACKSTONE DETAILS AND REINFORCEMENT REFER DETAIL A



**SECTION B-B**

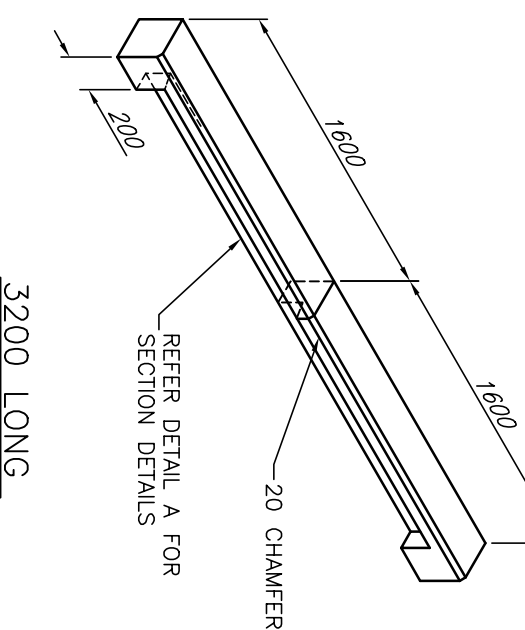
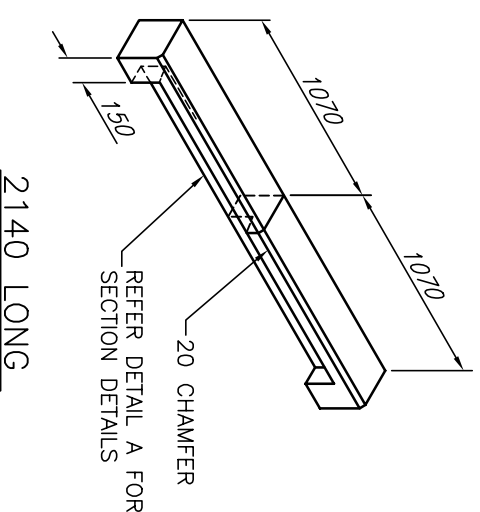
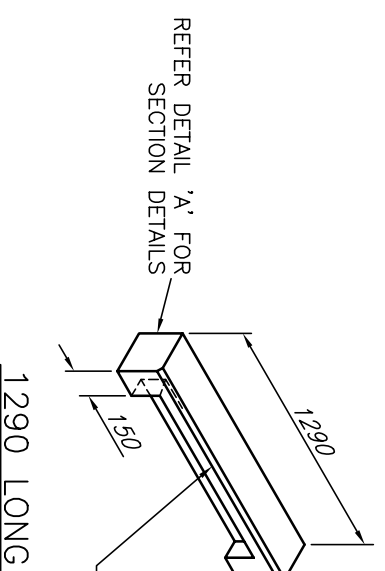
**PLAN  
DOUBLE GULLY WITH  
EXTENDED KERB BACKSTONE**

**PLAN  
SINGLE GULLY**

**DETAIL A  
BACKSTONE  
TYPICAL SECTION**

**NOTES**

1. FOR COUNCIL USE ONLY. TYPE 'E' (CITY TYPE) GULLIES & BACKSTONES ONLY TO BE USED WITH APPROVAL OF MANAGER WATERWAYS OR DELEGATED AUTHORITY. USE IS GENERALLY LIMITED TO RETROFITTING.
2. CONCRETE TO BE OF THE FOLLOWING CLASSES:  
PRECAST BACKSTONES - N32  
INSITU GULLY - N25
3. BACKSTONES MAY BE CAST INSITU ON CURVES.
4. BACKSTONES MAY BE OMITTED FOR SINGLE GULLIES AT INTERSECTIONS.
5. REINFORCING BARS TO BE POSITIONED AS SHOWN IN SECTIONS. MINIMUM 35mm COVER TO ALL BARS.
6. DIMENSIONS IN MILLIMETRES (UNO)



**PRECAST BACKSTONES**

ISSUE	AMENDMENT	DRAWN DATE	CHK'D DATE	APPR'D DATE
A	ORIGINAL ISSUE	April '01	May '01	June '01

DESIGN AUTHORISED FOR ISSUE B. BALL SIGNATURE ON ORIGINAL DATED 29/6/01	DESIGN DRAWN	STD DWG GROUP CITY DESIGN	DATE April '01
MANAGER ASSET SUPPORT - R.P.E.G. 3, 8, 5, 2 DESIGN APPROVED B. HANSEN SIGNATURE ON ORIGINAL DATED 27/6/01	CHECKED DRAWING FILENAME	M. STEER UMS 335	DATE May '01
PRINCIPAL ASSET OFFICER ROADS & DRAINAGE	ASSOCIATED PLANS	SUPERSEDES	



**BRISBANE CITY COUNCIL - URBAN MANAGEMENT DIVISION**

**TYPE 'E' GULLY  
(CITY TYPE)**

SCALE DWG No.	NOT TO SCALE
ORIGINAL SIZE	UMS 335
	REVISION A3 A