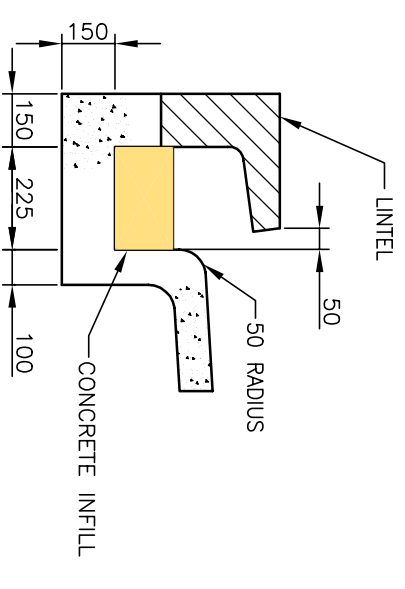
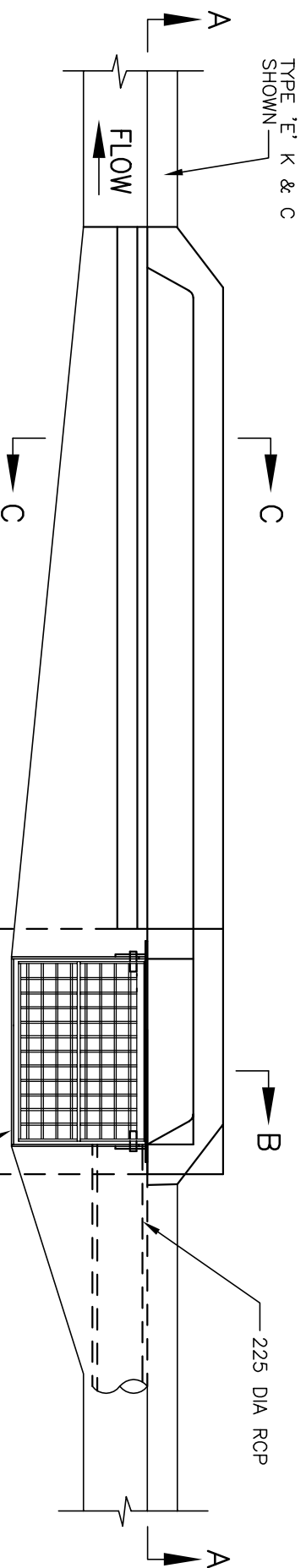


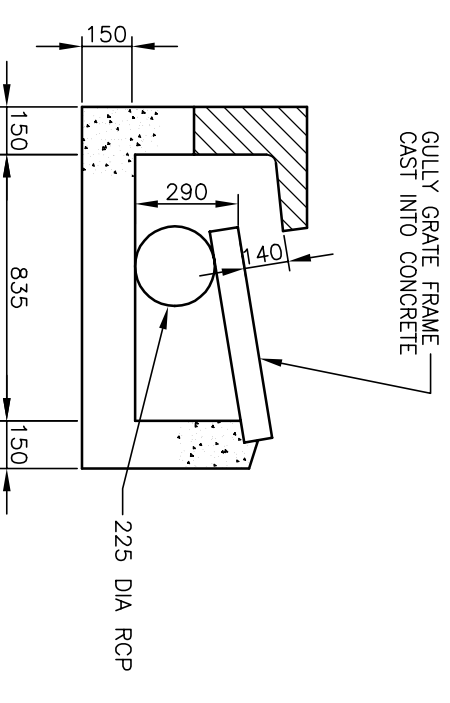
SECTION A-A



SECTION C-C
(THROUGH LINTEL)



PLAN



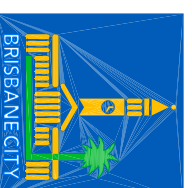
SECTION B-B

SURCHARGE GULLY

- NOTES:**
1. FOR COUNCIL USE ONLY. SURCHARGE GULLY ONLY TO BE USED WITH APPROVAL OF MANAGER WATERWAYS OR DELEGATED AUTHORITY. USE IS GENERALLY LIMITED TO RETROFITTING OR INFRASTRUCTURE UPGRADING.
 2. FOR STANDARD GULLY COMPONENT/DIMENSION DETAIL REFER UMS 331.
 3. DIMENSIONS IN MILLIMETRES (UNO).

ISSUE				
A	ORIGINAL ISSUE	April '01	May '01	June '01
	AMENDMENT	DRAWN DATE	CHK'D DATE	APPR'D DATE

DESIGN AUTHORISED FOR ISSUE		DESIGN	STD DWG GROUP	DATE
B. BALL SIGNATURE ON ORIGINAL DATED 27/6/01		DRAWN	CITY DESIGN	April '01
MANAGER ASSET SUPPORT - RP E.O. 3.8.5.2		CHECKED	M. STEER	May '01
DESIGN APPROVED		DRAWING FILENAME ASSOCIATED PLANS	UMS 338	
B. HANSEN SIGNATURE ON ORIGINAL DATED 27/6/01		SUPERSEDES		
PRINCIPAL ASSET OFFICER ROADS & DRAINAGE				



BRISBANE CITY COUNCIL - URBAN MANAGEMENT DIVISION

SURCHARGE GULLY

SCALE	NOT TO SCALE
DWG No.	UMS 338
ORIGINAL SIZE	A3
REVISION	A