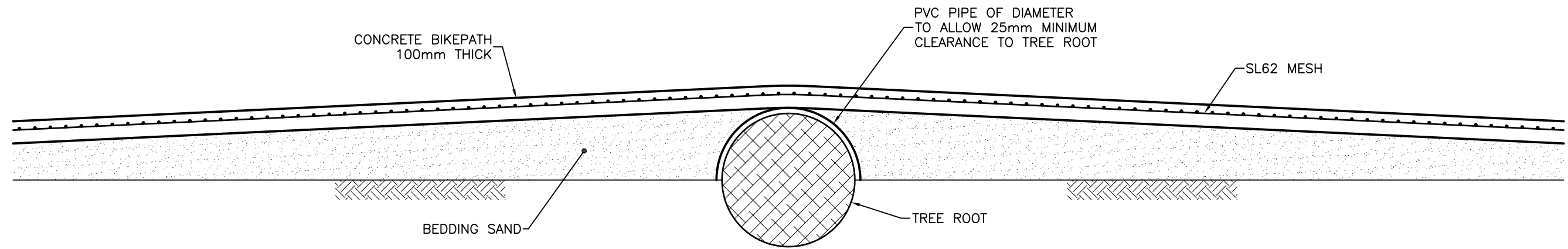


**ELEVATION**



**SECTION A-A**

**NOTES:**

1. REFER UMS 258 FOR CONCRETE BICYCLE PATH DETAILS.
2. ALL DIMENSIONS IN MILLIMETRES (U.N.O.).

ISSUE	AMENDMENT	DRAWN DATE	CHK'D DATE	APPR'D DATE
B	Mesh Details Modified, Notes Added	DL 07/07	BH 08/07	BH 08/07
A	ORIGINAL ISSUE	Sept '04	Nov '05	Mar '06

DESIGN AUTHORISED FOR ISSUE P COTTON SIGNATURE ON ORIGINAL DATED 21/03/06				DESIGN	CITY DESIGN	DATE	May '03
MANAGER CITY ASSETS, R.P.E.O: 2546				DRAWN	CD/CA (DJL)	DATE	May '03
DESIGN APPROVED K FOSTER SIGNATURE ON ORIGINAL DATED 05/12/05				CHECKED	CA (GMc)	DATE	Nov '05
SENIOR PROGRAM OFFICER LANDSCAPE AMENITY SECTION				DRAWING FILENAME	UMS 525.dwg		
				ASSOCIATED PLANS			



**BRISBANE CITY COUNCIL - CITY POLICY & STRATEGY DIVISION**

**ROOT PROTECTION  
ADJACENT TO  
CONCRETE BIKEPATHS**

SCALE NOT TO SCALE	
DWG No. <b>UMS 525</b>	
ORIGINAL SIZE A3	REVISION B