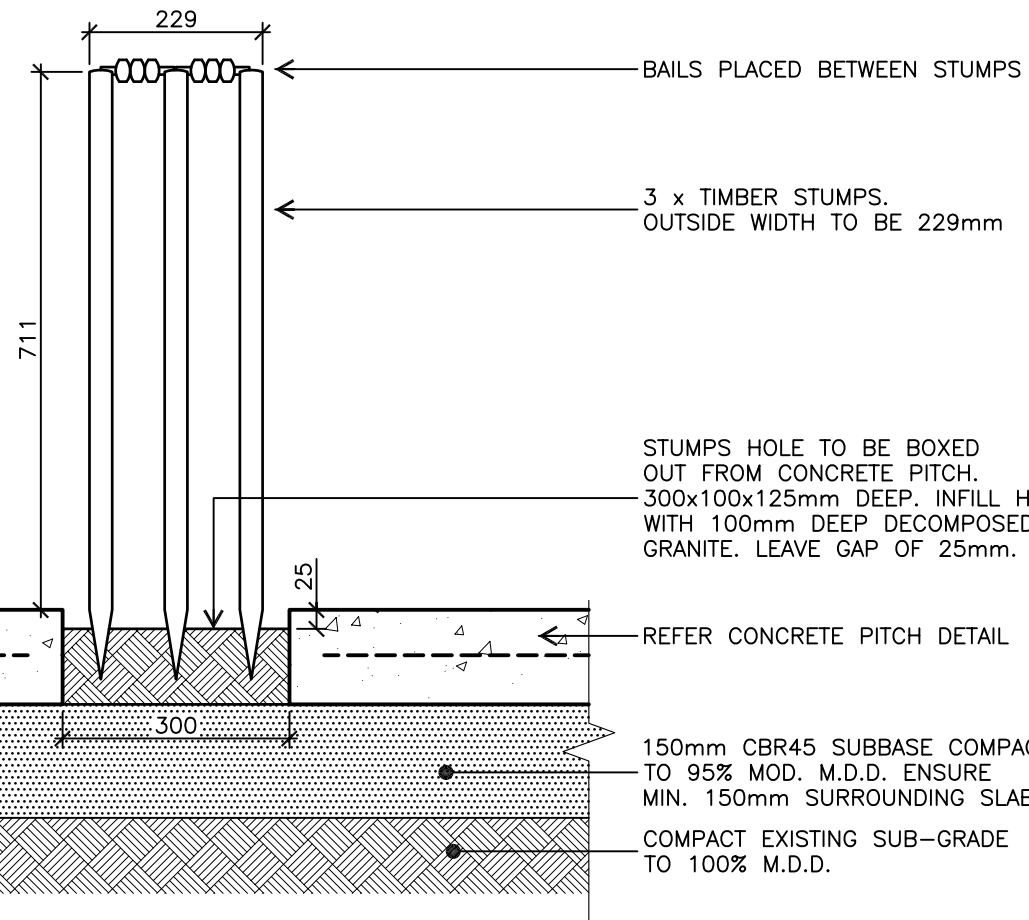
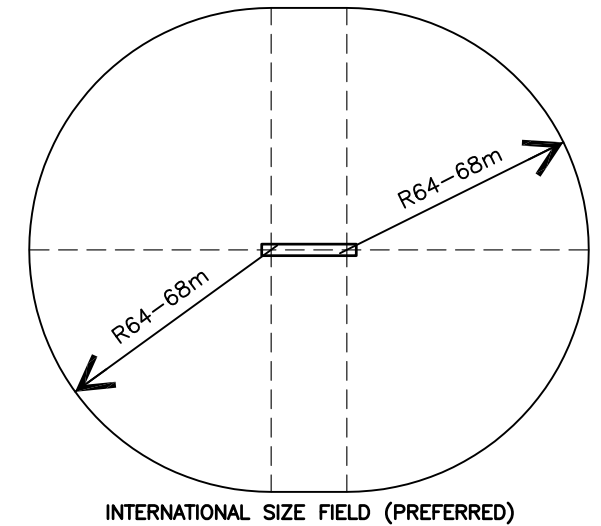


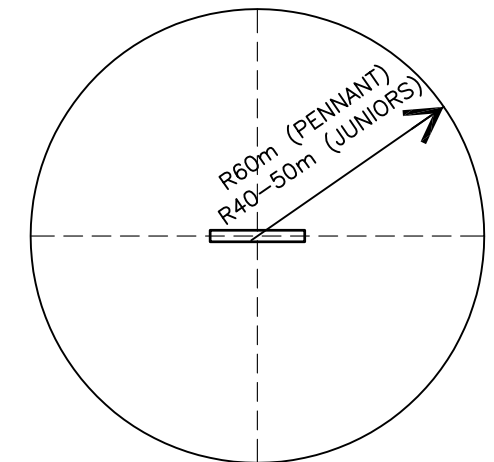
CONCRETE SLAB (PITCH) – SECTION
SCALE 1:10



STUMPS – DETAIL
SCALE 1:10

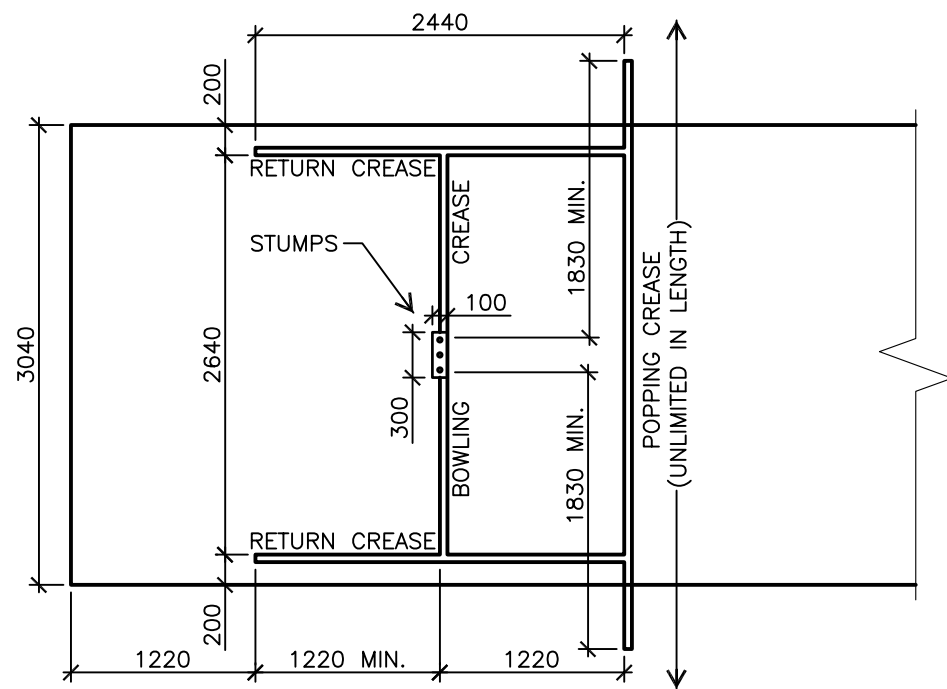


INTERNATIONAL SIZE FIELD (PREFERRED)

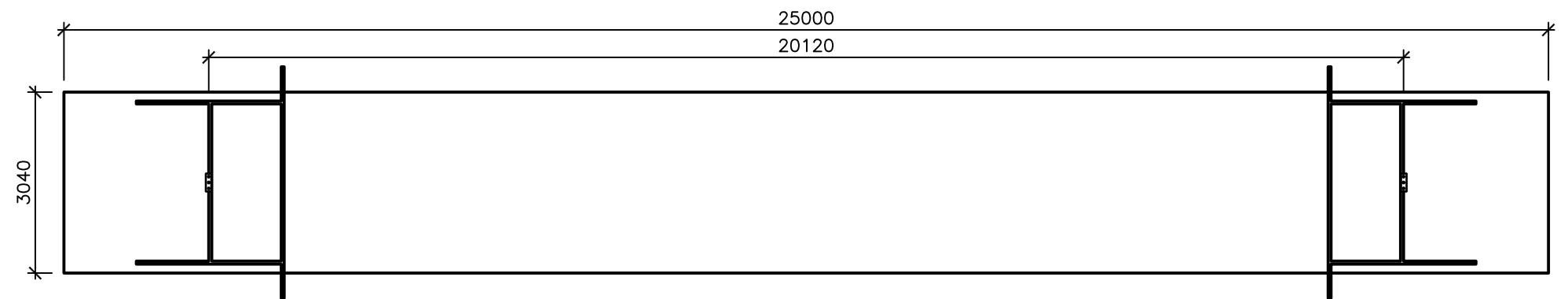


PENNANT AND JUNIOR GROUNDS

FIELD LAYOUT – PLANS
SCALE 1:200



BOWLING CREASE – PLAN
SCALE 1:50



PITCH – PLAN
SCALE 1:100

ISSUE	AMENDMENT	DRAWN DATE	CHK'D DATE	APPR'D DATE
B	Pitch Surface Requirements Mod.	DL 05/07	BH 08/07	BH 08/07
A	ORIGINAL ISSUE	Dec '03	Jul '04	PC 09/04

DESIGN AUTHORISED FOR ISSUE PAUL COTTON SIGNATURE ON ORIGINAL DATED 03/09/04				DESIGN	CITY DESIGN - L.A.	DATE	Dec '03
MANAGER INFRASTRUCTURE MANAGEMENT R.P.E.Q: 2566				DRAWN	CITY DESIGN - L.A.	DATE	Dec '03
DESIGN APPROVED LAUREN TEMPLEMAN SIGNATURE ON ORIGINAL DATED 31/08/04				CHECKED	UMD - E&P (J.T.) and IMB (D.L. & G.M.)	DATE	Jun '04
PRINCIPAL PROGRAM OFFICER PARKS				DRAWING FILENAME	UMS 786.dwg		
				ASSOCIATED PLANS	UMS 744, UMS 785, UMS 787		



BRISBANE CITY COUNCIL - URBAN MANAGEMENT DIVISION

**CRICKET PITCH
PLANS & SECTIONS**

SCALE AS PER DETAIL	
DWG No. UMS 786	
ORIGINAL SIZE A3	REVISION B