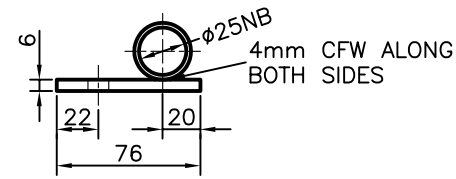
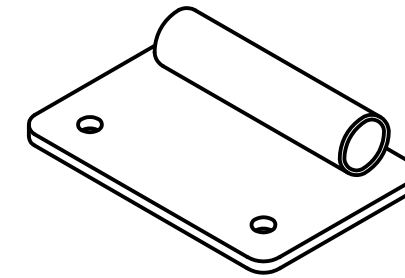


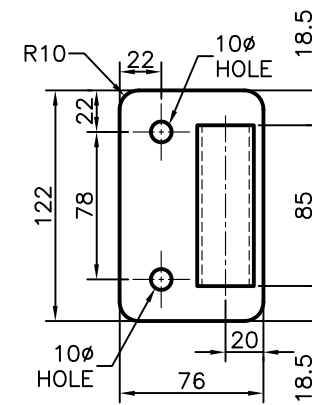
FLAG POST AND SIGN



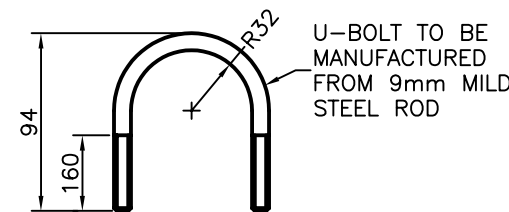
**FLAG BRACKET
END ELEVATION**



**FLAG BRACKET
ISOMETRIC VIEW**



**FLAG BRACKET
PLAN VIEW**



**FLAG BRACKET
U-BOLT**

NOTES:

1. POST TO BE 50NB.
2. BANDS TO HAVE ALTERNATE 300 WIDE RED AND WHITE BANDS.
3. REFER QUEENSLAND MANUAL OF UNIFORM TRAFFIC CONTROL DEVICES (MUTCD) FOR SIGN AND SCHOOL CROSSING SET-OUT DETAILS.
4. BRACKET TO BE HOT DIPPED GALVANISED PRIOR TO PAINTING WHITE.
5. U-BOLT TO BE MANUFACTURED FROM 9mm MILD STEEL ROD.
6. SUPPLY TAMPER PROOF NUTS TO U-BOLT.
7. ALL DIMENSIONS IN MILLIMETRES (U.N.O.).

ISSUE	AMENDMENT	DRAWN DATE	CHK'D DATE	APPR'D DATE
A	ORIGINAL ISSUE	Sep '04	Nov '05	Mar '06

DESIGN AUTHORISED FOR ISSUE			
P COTTON SIGNATURE ON ORIGINAL DATED 21/03/06			
MANAGER CITY ASSETS, R.P.E.Q: 2546			
DESIGN APPROVED			
B HANSEN SIGNATURE ON ORIGINAL DATED 28/02/06			
PRINCIPAL ENGINEER STRATEGIC INFRASTRUCTURE MANAGEMENT			
DESIGN	BCC	DATE	Sep '04
DRAWN	CA (DJL)	DATE	Sep '04
CHECKED	CA (GMc)	DATE	Nov '05
DRAWING FILENAME	UMS 822.dwg		
ASSOCIATED PLANS			



BRISBANE CITY COUNCIL - CITY POLICY & STRATEGY DIVISION

**SCHOOL CROSSING
FLAG, POST
AND BRACKET**

SCALE: NOT TO SCALE
DWG No. **UMS 822**
ORIGINAL SIZE: A3 REVISION: A