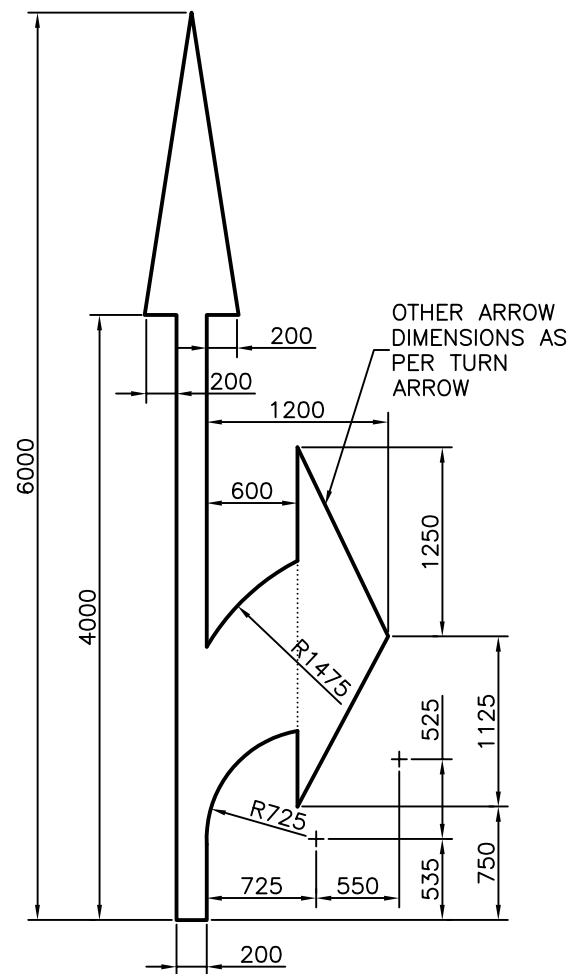
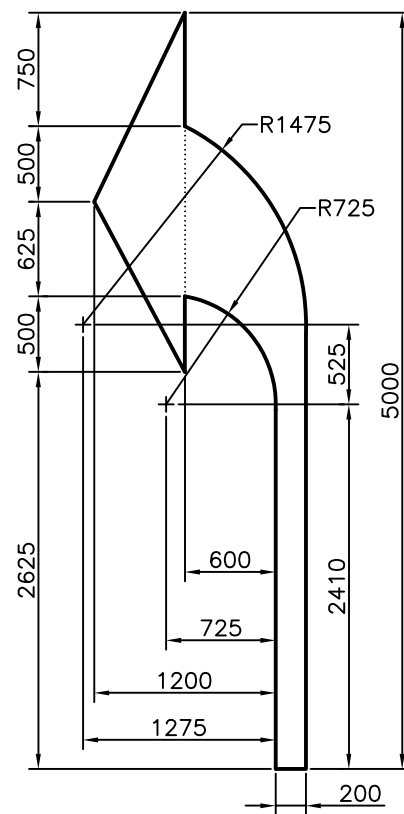


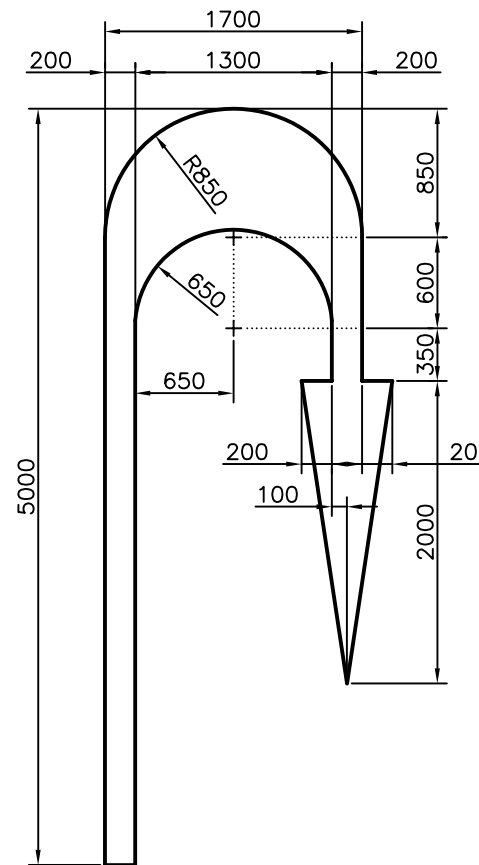
STRAIGHT ARROW



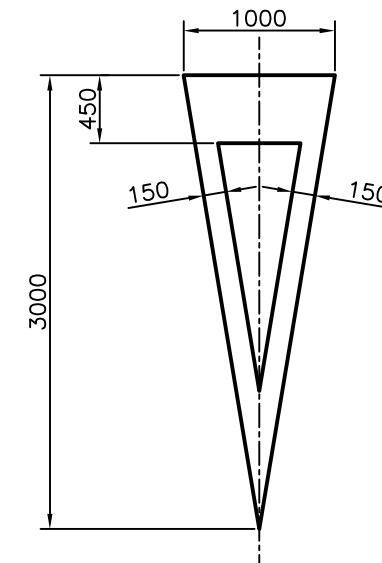
COMBINATION ARROW



TURN ARROW



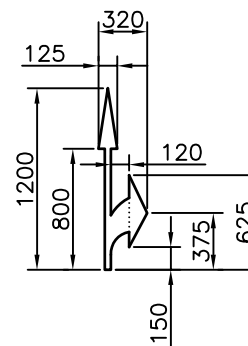
U-TURN ARROW



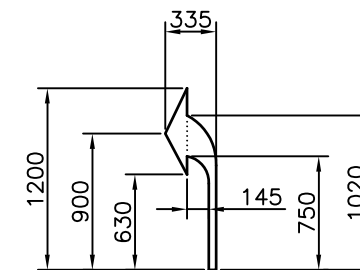
GIVE WAY SYMBOL

NOTES

1. WHEN INSTALLING ARROWS, IT IS RECOMMENDED THAT THE HEAD BE LAID FIRST.
2. SPACING AND PLACEMENT OF SIGNS DESCRIBED AND ANY OTHER SIGNS OR DEVICES SHALL BE IN ACCORDANCE WITH THE QUEENSLAND MANUAL OF UNIFORM TRAFFIC CONTROL DEVICES.
3. MINIMUM LENGTH OF STRAIGHT ARROW AND COMBINATION ARROW IS 6m (FOR NORMAL TRAFFIC APPLICATIONS), MINIMUM LENGTH OF TURN ARROW IS 4m, MINIMUM LENGTH OF U-TURN ARROW IS 5m.
4. FOR ARROWS GREATER THAN THESE MINIMUM LENGTHS, SCALE APPROPRIATELY (REFER MUTCD).
5. INSTALL GIVE WAY SYMBOL 10m FROM HOLDING LINE OR WHERE DIRECTED.
6. REFER UMS 847 FOR MERGE ARROW DETAILS.
7. REFER QUEENSLAND MANUAL OF UNIFORM TRAFFIC CONTROL DEVICES (MUTCD) FOR OTHER ARROW TYPE DETAILS.
8. SMALL TURN AND SMALL COMBINATION ARROWS FOR USE ON BICYCLE LANES ONLY.
9. ALL DIMENSIONS IN MILLIMETRES (U.N.O.).



SMALL COMBINATION ARROW FOR BICYCLE LANES ONLY



SMALL TURN ARROW FOR BICYCLE LANES ONLY

ISSUE	AMENDMENT	DRAWN DATE	CHK'D DATE	APPR'D DATE
B	Small Combination & Turn Arrows Added	DL 07/07	BH 08/07	BH 08/07
A	ORIGINAL ISSUE	Sep '04	Nov '05	Mar '06

DESIGN AUTHORISED FOR ISSUE			
P COTTON SIGNATURE ON ORIGINAL DATED 21/03/06			
MANAGER CITY ASSETS, R.P.E.Q: 2546			
DESIGN APPROVED			
B HANSEN SIGNATURE ON ORIGINAL DATED 13/03/06			
PRINCIPAL ENGINEER STRATEGIC INFRASTRUCTURE MANAGEMENT			
DESIGN	BCC	DATE	Sep '04
DRAWN	CA (DJL)	DATE	Sep '04
CHECKED	CA (GMc)	DATE	Nov '05
DRAWING FILENAME	UMS 846.dwg		
ASSOCIATED PLANS	SUPERSEDES LM SK05		



BRISBANE CITY COUNCIL - CITY POLICY & STRATEGY DIVISION

**PAVEMENT MARKINGS
PAVEMENT ARROWS AND
GIVE WAY SYMBOL**

SCALE: NOT TO SCALE
DWG No. **UMS 846**
ORIGINAL SIZE: A3 REVISION: B