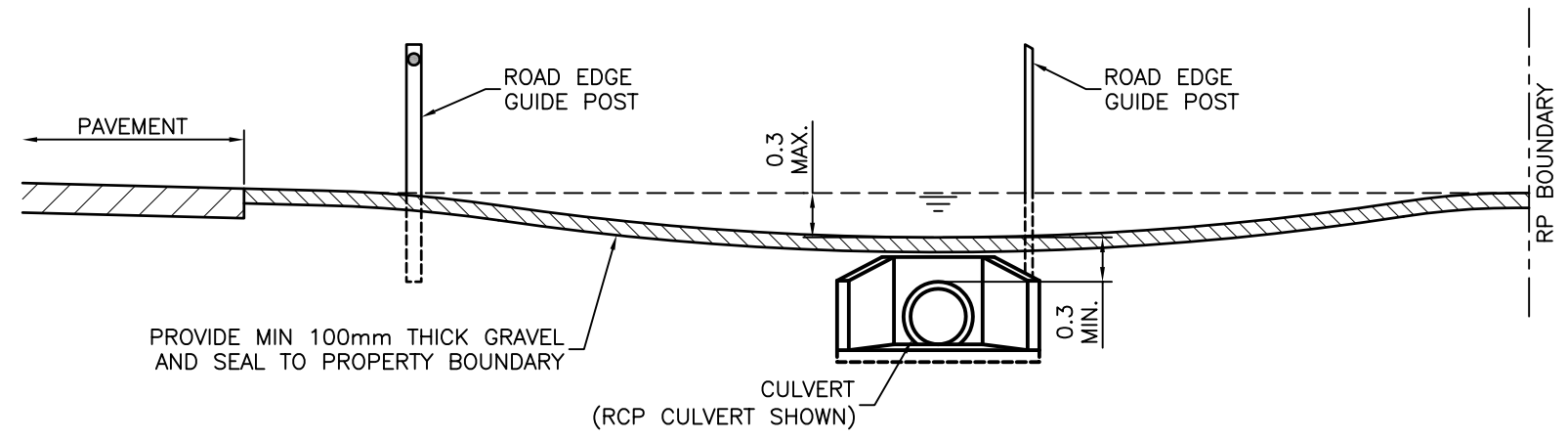


PLAN VIEW

NOTES

1. PIPE OR BOX CULVERT CROSSINGS ARE NOT TO BE INSTALLED ON ROADS THAT FALL TO THE SUBJECT PROPERTY OR WHERE STORM WATER CANNOT BE DIRECTED TO A NATURAL WATER COURSE OR DRAINAGE EASEMENT.
2. PROVIDE ROCK, CONCRETE OR STABILISED TURF PROTECTION TO TABLE DRAINS AND OUTLETS WHERE PRONE TO SCOUR.
3. MINIMUM GRADE THROUGH PIPE IS TO BE 1%.
4. ROAD EDGE GUIDE POSTS TO BE LOCATED AT PIPE ENDS AND BE IN ACCORDANCE WITH UMS 131.
5. WHERE PIPE IS USED FOR CULVERT, PIPE TO BE MINIMUM CLASS 3 REINFORCED CONCRETE PIPE (FIBRE OR STEEL REINFORCED).
6. MINIMUM HYDRAULIC CAPACITY OF PIPE AND ACCESS TO MATCH THE CAPACITY OF THE TABLE DRAIN. THIS MAY REQUIRE THE USE OF MULTIPLE BARRELS.
7. CULVERT INVERTS TO MATCH TABLE DRAIN INVERTS.
8. ALL DIMENSIONS IN METRES (U.N.O.).



END ELEVATION 'A'

B	RCBC Size Modified, Note 1 Modified	DL 07/07	BH 08/07	BH 08/07
A	ORIGINAL ISSUE	Dec '04	Mar '05	Mar '05
ISSUE	AMENDMENT	DRAWN DATE	CHK'D DATE	APPR'D DATE

DESIGN AUTHORISED FOR ISSUE PAUL COTTON SIGNATURE ON ORIGINAL DATED 03/03/05				DESIGN	UMD/IMB	DATE	Dec '04
MANAGER INFRASTRUCTURE MANAGEMENT R.P.E.Q.: 2546				DRAWN	IMB (DJL)	DATE	Dec '04
DESIGN APPROVED BRUCE HANSEN SIGNATURE ON ORIGINAL DATED Mar '05				CHECKED	BH	DATE	Mar '05
PRINCIPAL ENGINEER STRATEGIC INFRASTRUCTURE MANAGEMENT				DRAWING FILENAME	UMS 226		
				ASSOCIATED PLANS	UMS 131		



BRISBANE CITY COUNCIL - URBAN MANAGEMENT DIVISION

**RURAL PROPERTY ACCESS
CULVERT CROSSING
FOR TABLE DRAINS**

SCALE		NOT TO SCALE	
DWG No.		UMS 226	
ORIGINAL SIZE	A3	REVISION	B