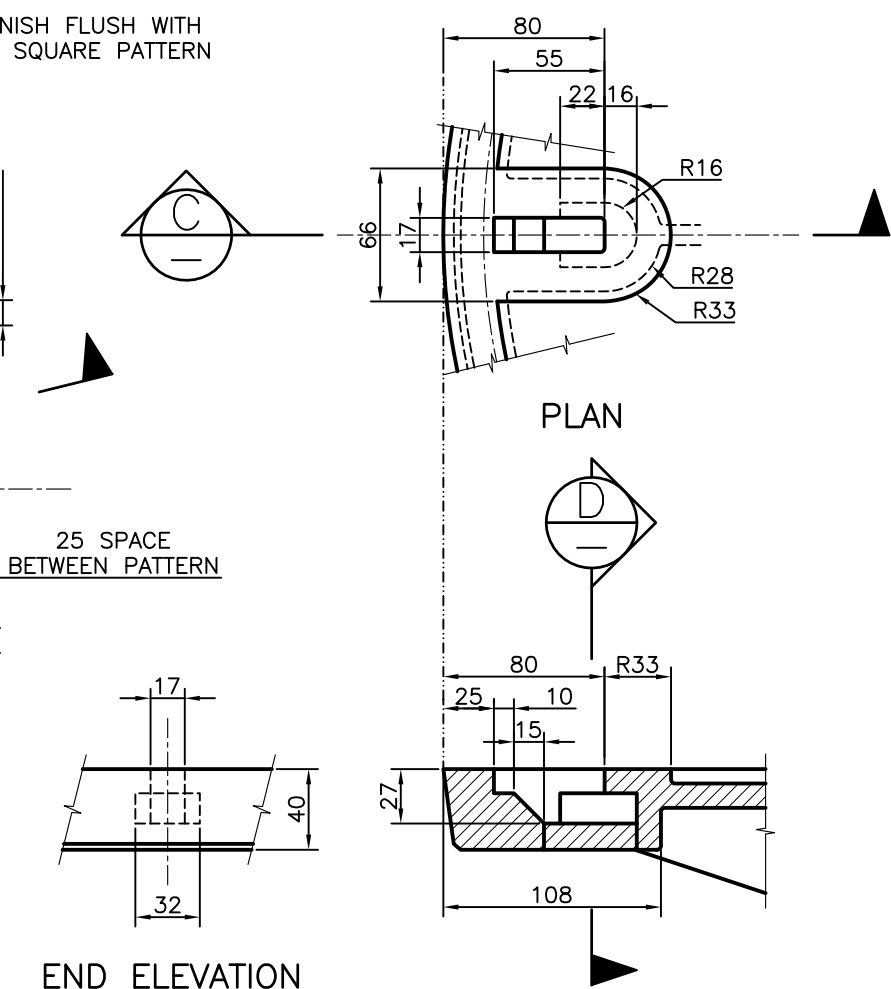
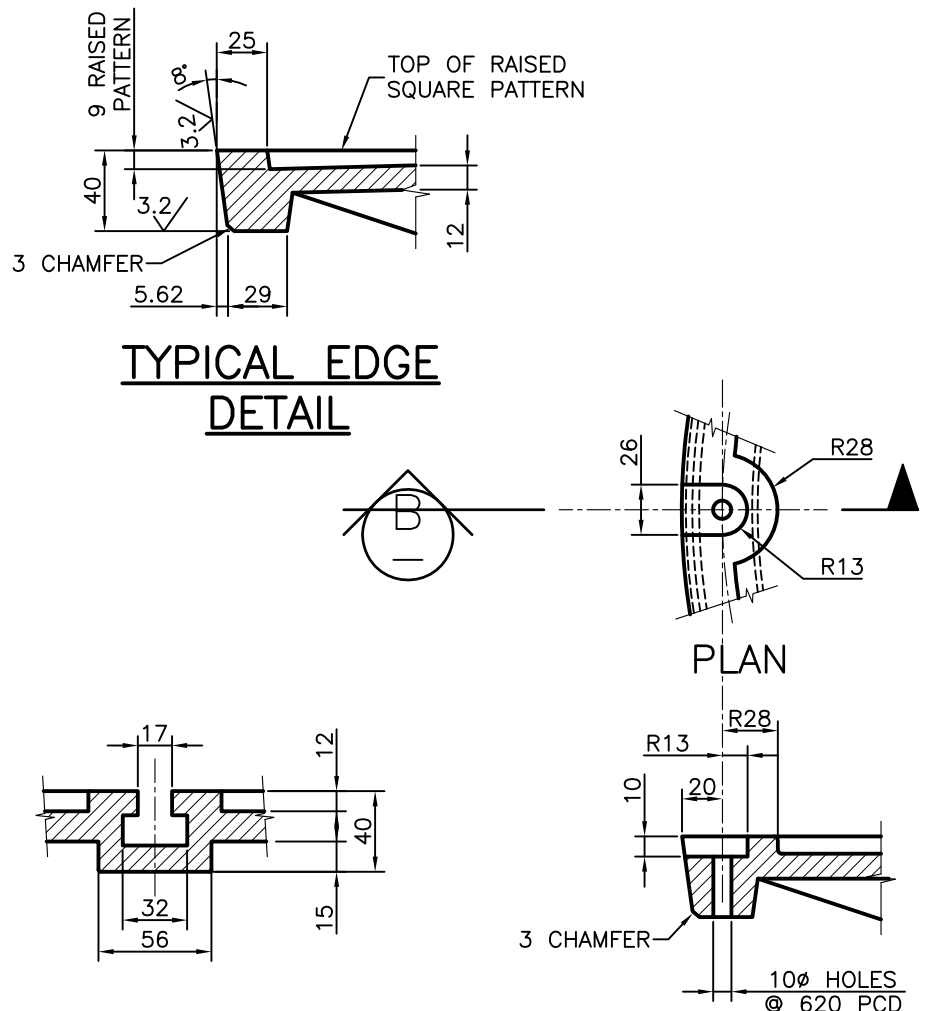


**PLAN**



**END ELEVATION**

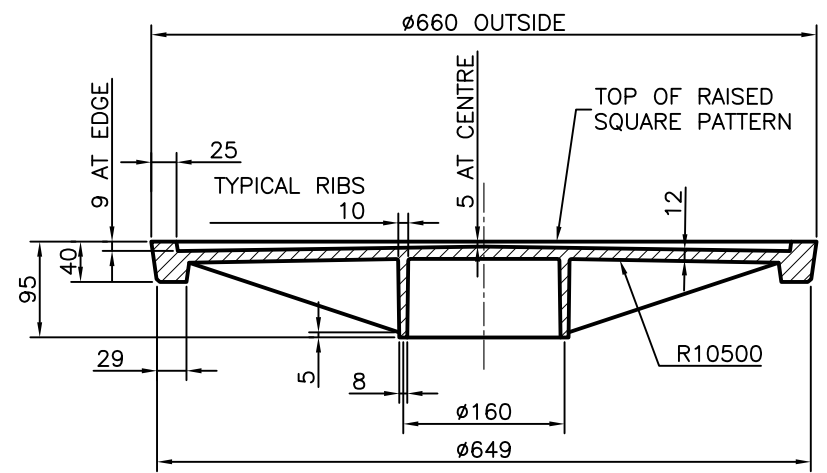
**SECTION C**  
SCALE NTS



**TYPICAL EDGE DETAIL**

**SECTION B**  
SCALE NTS

**BOLTING BOSS DETAIL**



**SECTION A**  
SCALE NTS

**LIFTING KEYHOLE DETAIL**

**NOTES:**

- ALL EDGES TO BE SQUARE.
- CASTING TO BE FREE OF BURRS AND PITS.
- MATERIAL**  
DUCTILE CAST IRON  
TENSILE STRENGTH: 600-3 (AS 1831)  
HARDNESS: 145-185 (HB)  
DESIGN LOAD = 210kN (AS 3996)  
MASS = 49Kg
- TOLERANCES**  
CAST SIZE ±1.00mm  
ANGLE PROFILE ±0.25°  
MACHINED SIZE ±0.125mm  
OVERALL DIAMETER OF COVER +0mm-0.25mm  
DRY FILM THICKNESS (DFT) OF COATING 50µm
- MACHINE SURFACE SYMBOL: 3.2
- ALL MACHINED SURFACES SHALL HAVE A COATING APPROVED AS FIT FOR THE PURPOSE OF PROVIDING A RUST PROOF, NON-STICK AND GAS/WATER PROOF JOINT. (HAVTEC-HS1 OR SIMILAR)
- LIDS TO BE BOLTED DOWN IF DIRECTED BY DESIGNER. MIN. TWO EXTRA LENGTH BOLTS MUST BE USED TO SECURE COVER AND RISER TO FRAME. REFER TO UMS 326 FOR RISER DETAIL AND BOLT LENGTHS.
- DIMENSIONS IN MILLIMETRES (UNO).

**SPECIAL NOTE - ROADWAY USE**  
COVERS, FRAMES AND 35mm RISER RINGS (MIN.) TO BE SUPPLIED ASSEMBLED.  
(RISER MUST BE USED WITH FRAME WHEN USED WITH ROADWAY MANHOLE COVER)

ISSUE	AMENDMENT	DRAWN DATE	CHK'D DATE	APPR'D DATE
D	Note 7 Amended	DJL 10/11	IC 2/4/12	GB 31/5/12
C	Special Note & Note 4 Amended	DJL 12/09	GM 03/10	GB 04/10
B	Special Note Added, Cover Logo Updated	DJL 02/09	GB 09/09	PC 9/09
A	ORIGINAL ISSUE	April '01	May '01	June '01

DESIGN AUTHORIZED FOR ISSUE B. BALL SIGNATURE ON ORIGINAL DATED 29/6/01	DESIGN	STD DWG GROUP	DATE	April '01
MANAGER ASSET SUPPORT - R.P.E.O: 3, 8, 5, 2	DRAWN	CITY DESIGN	DATE	April '01
DESIGN APPROVED B. HANSEN SIGNATURE ON ORIGINAL DATED 27/6/01	CHECKED	M. STEER	DATE	May '01
PRINCIPAL ASSET OFFICER ROADS & DRAINAGE	DRAWING FILENAME	UMS 325	ASSOCIATED PLANS	SUPERSEDES WS 51-8



**BRISBANE CITY COUNCIL STANDARD DRAWING**

**MANHOLE COVER (ROADWAY)**  
**1050 TO 1500 DIAMETER**

SCALE: NOT TO SCALE  
DWG No: **UMS 327**  
ORIGINAL SIZE: A3  
REVISION: D