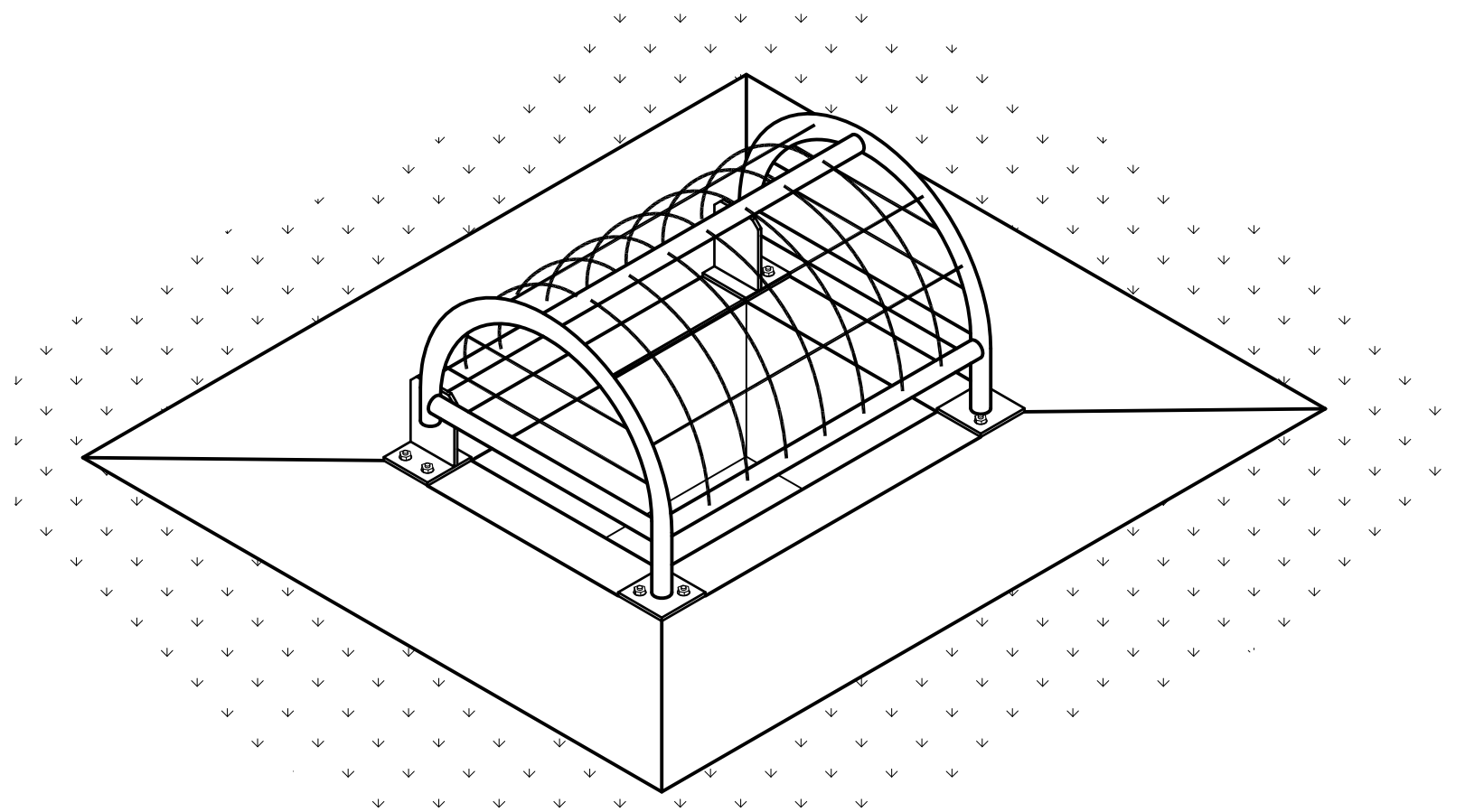
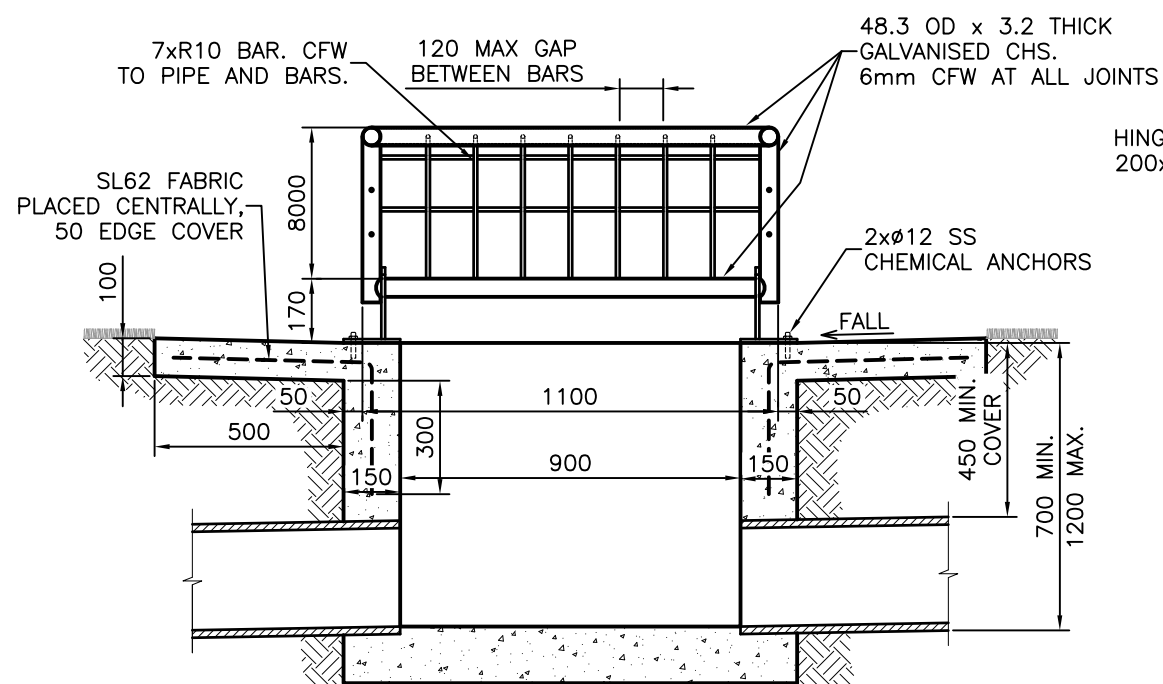


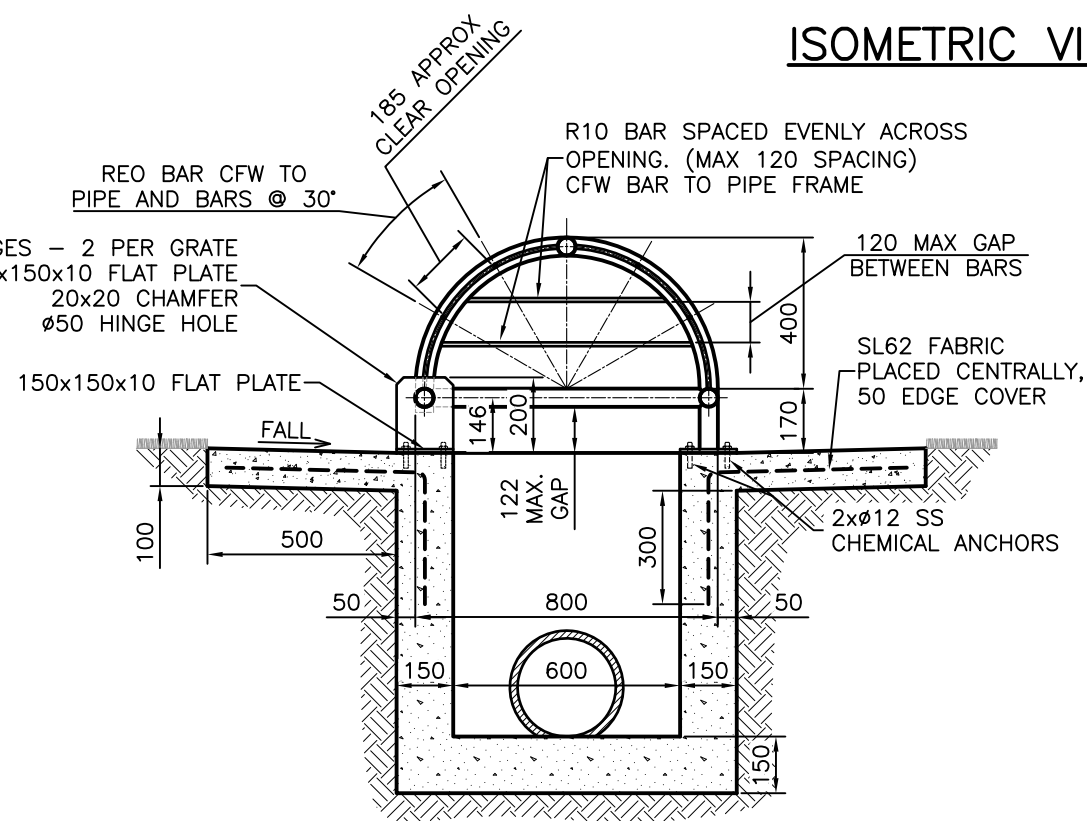
**PLAN VIEW**



**ISOMETRIC VIEW**



**FRONT ELEVATION – SECTION A-A**



**END ELEVATION – SECTION B-B**

**NOTES:**

1. CONCRETE N25 IN ACCORDANCE WITH AS1379 AND AS3600
2. ALL WELDS TO AS1554, ALL WELDING SYMBOLS TO AS1101.3
3. GRATE TO BE HOT DIPPED GALVANISED AFTER FABRICATION TO AS4680
4. ALL FLAT PLATE STEEL GRADE 250 TO AS3678
5. BOLTS NUTS AND WASHERS TO AS1252
6. HOT DIPPED GALVANISED BOLTS AND NUTS TO AS1214. HOT DIPPED GALVANISED WASHERS TO AS4680
7. FOR INLETS WITH DEPTHS GREATER THAN 1350, STEP IRONS WILL BE REQUIRED IN ACCORDANCE WITH BCC STANDARD DRAWING UMS 321
8. ALL DIMENSIONS IN MILLIMETRES (U.N.O.)

ISSUE	AMENDMENT	DRAWN DATE	CHK'D DATE	APPR'D DATE
B	Gap at Base of Cover Reduced	DL 04/12	IC 1/5/12	GB 31/5/12
A	ORIGINAL ISSUE	Feb '09	Sept '09	Sept '09

DESIGN AUTHORISED FOR ISSUE			
P COTTON SIGNATURE ON ORIGINAL DATED 24/09/09			
MANAGER CITY ASSETS, R.P.E.Q. 2546			
DESIGN APPROVED			
G BLAKEY SIGNATURE ON ORIGINAL DATED 22/09/09			
PRINCIPAL ENGINEER STRATEGIC ASSET MANAGEMENT			
DESIGN	CAB	DATE	Feb '09
DRAWN	CAB (DJL)	DATE	Feb '09
CHECKED	City Assets	DATE	Sept '09
DRAWING FILENAME	/UMS 340.dwg		
ASSOCIATED PLANS			



**BRISBANE CITY COUNCIL STANDARD DRAWING**

**FIELD INLET DOME TOP COVER**

SCALE NOT TO SCALE	
DWG No. <b>UMS 340</b>	
ORIGINAL SIZE <b>A3</b>	REVISION <b>B</b>