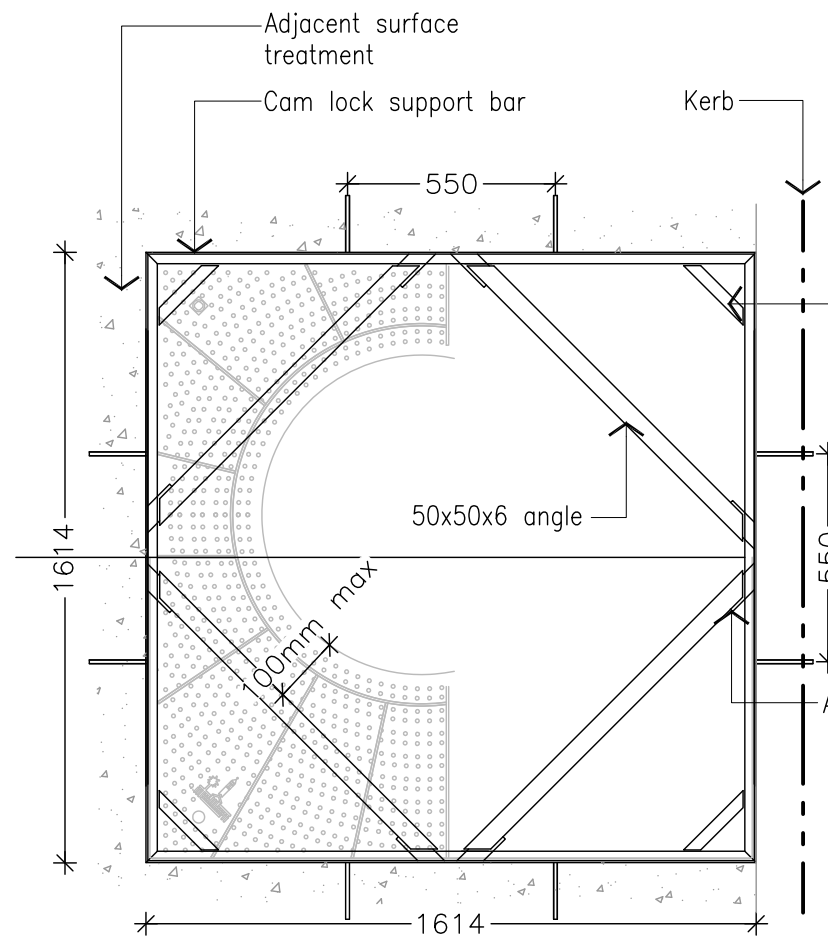
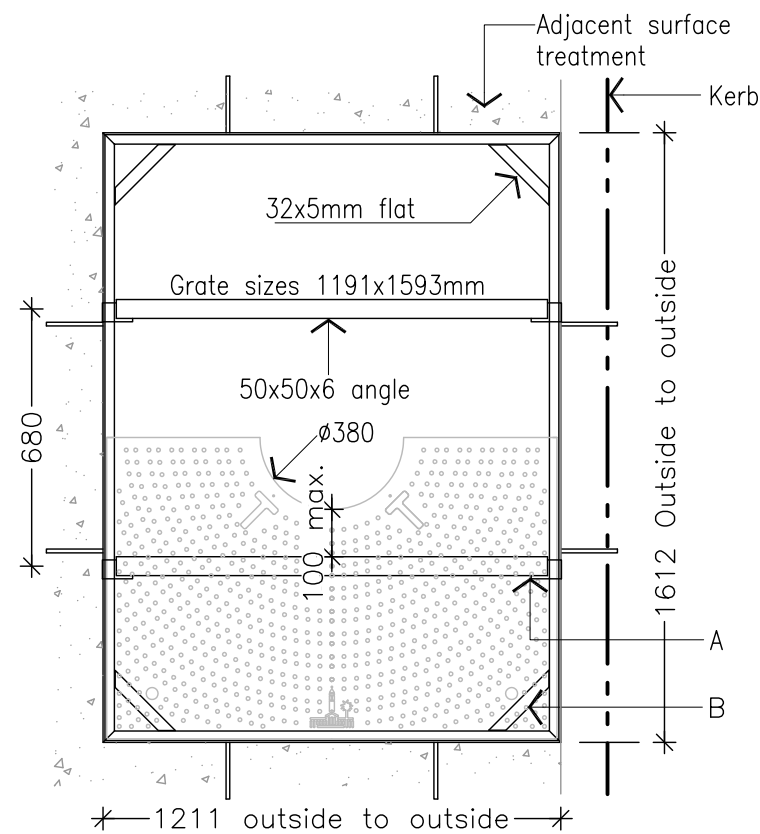


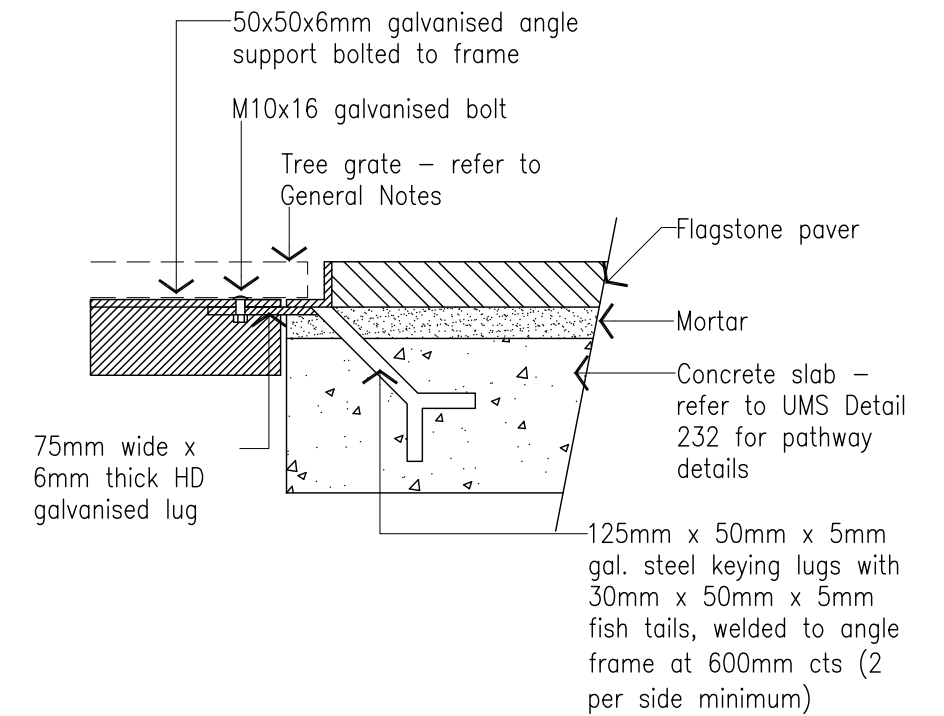
1600x1600mm TREE GRATE SUB-FRAME WITH SUPPORT BRACKETS



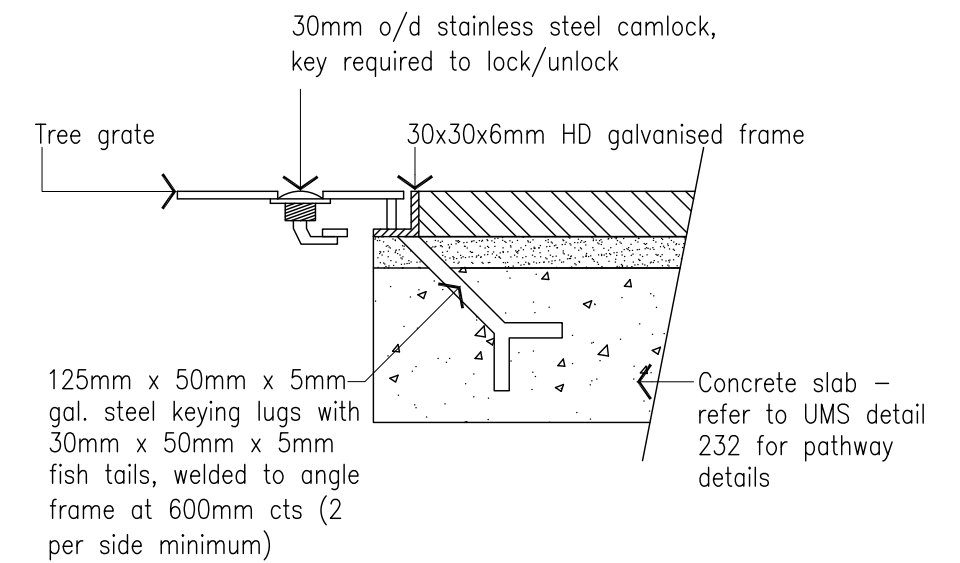
1600x1600mm CUSTOM TREE GRATE SUB-FRAME WITH SUPPORT BRACKETS



1200x1600 TREE GRATE SUB-FRAME WITH SUPPORT BRACKETS



DETAIL A – TREE GRATE SUPPORT BRACKET



DETAIL B – TREE GRATE CORNER FIXING

GENERAL NOTES

- REFER TO UMS DETAILS 519-1 TO 519-2 FOR STANDARD TREE GRATE DETAILS.
- REFER TO CENTRES DETAIL DESIGN MANUAL FOR PROPOSED FOOTPATH FINISH.
- ALL STEEL TO BE HD GALVANISED AFTER FABRICATION.
- ALL STEEL FIXINGS TO BE HD GALVANISED UNLESS NOTED OTHERWISE.
- NO PROTRUDING WELDS TO BE ON THE INSIDE OF FRAME.
- FRAMES REQUIRE SPLITTING IF TREE IS ALREADY ESTABLISHED. ENSURE ANGLE SUPPORT FRAME MATCHES REQUIRED LOCATION AND DIAMETER OF EXISTING TREE.

STRUCTURAL DESIGN REVIEWED AND CERTIFIED FOR ISSUE
 NAME: B.BALAKUMAR RPEQ: 3963
 SIGNATURE: SIGNATURE ON ORIGINAL DATE: 16/12/10

ISSUE	AMENDMENT	DRAWN DATE	CHK'D DATE	APPR'D DATE
B	Note Amendments	OCT '11	OCT '11	OCT '11
A	ORIGINAL ISSUE	DEC '10	DEC '10	DEC '10

DESIGN AUTHORISED FOR ISSUE			
I. CONDRIK SIGNATURE ON ORIGINAL	DATE	NOV '10	
FOR MANAGER ASSET MANAGEMENT, R.P.E.Q. N/A	DRAWN	D.S	DATE DEC '10
DESIGN APPROVED VICKI MARTIN SIGNATURE ON ORIGINAL 17/10/2011	CHECKED	D.M	DATE DEC '10
PRINCIPAL OFFICER URBAN DESIGN UNIT	DRAWING FILENAME	519-3 GRATE FRAME DETAILS.DWG	
	ASSOCIATED PLANS	UMS 519-1, UMS 519-2	



BRISBANE CITY COUNCIL STANDARD DRAWING

TREE GRATE SUB-FRAME DETAILS

SCALE: NOT TO SCALE
 DWG No. **UMS 519-3**
 ORIGINAL SIZE: A3 REVISION: B