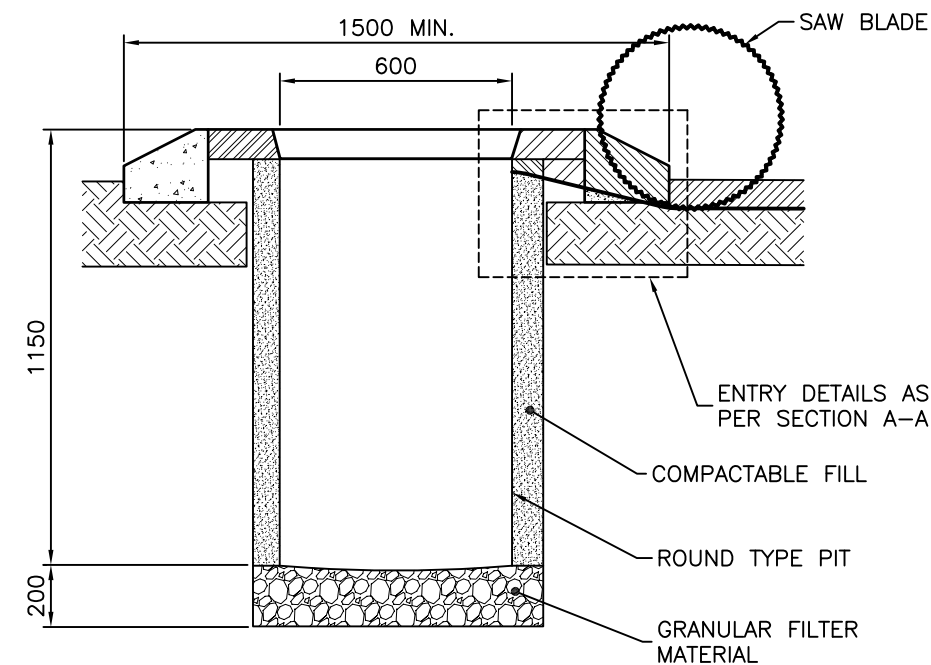
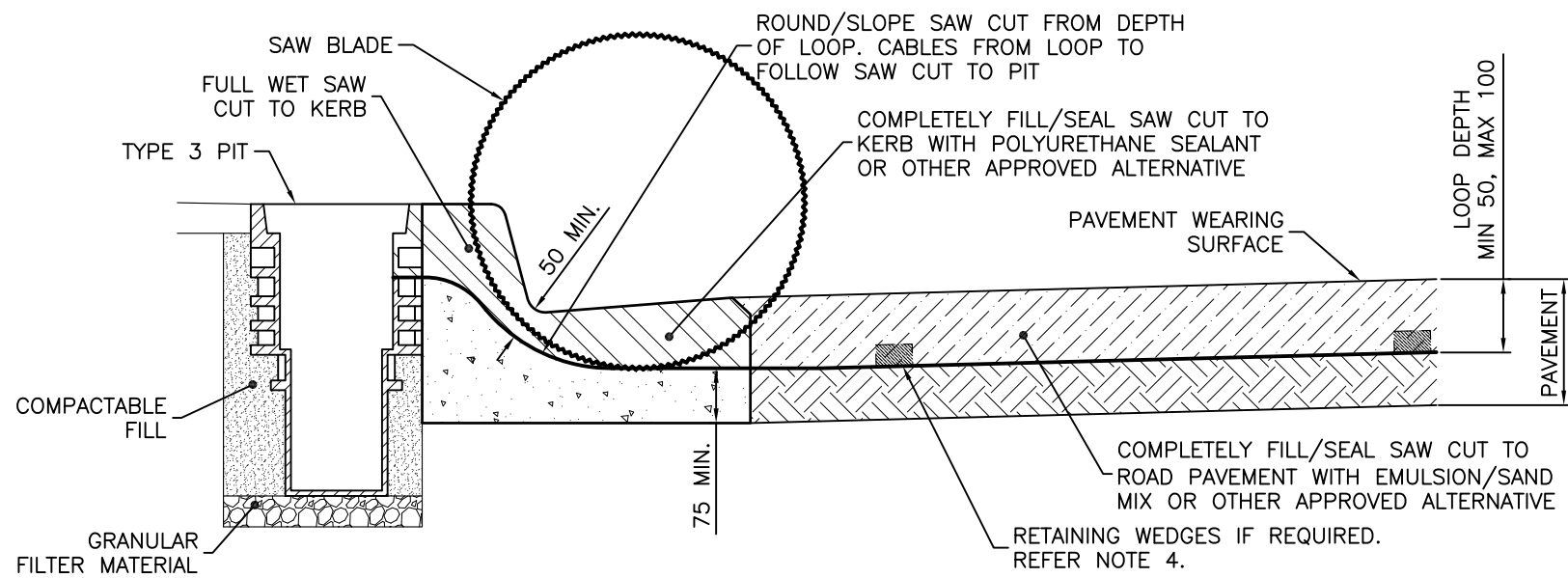


PLAN



ROUND TYPE PIT AND CABLE ENTRY FROM MEDIAN



SECTION A-A

NOTES

1. THE NUMBER OF CABLE INLETS INSTALLED IN THE PAVEMENT JUNCTION BOX SHALL VARY TO SUIT INDIVIDUAL SITES.
2. SAW CUT WIDTH TO UMS 050/021.
3. INSIDE OF PIT TO HAVE A SMOOTH FINISH.
4. IF REQUIRED, FIT RETAINING WEDGES AT 300-400mm SPACING TO ENSURE LOOP CABLE DOES NOT MOVE WHILE SEALANT IS APPLIED. THE WEDGE MATERIAL TO BE RESILIENT AND IMPERVIOUS TO WATER AT THE INSTALLATION TECHNICIANS DISCRETION.
5. LOOPS NOT TO BE CUT TO MEDIAN IF MEDIAN LESS THAN 1500mm.
6. DIMENSIONS IN MILLIMETRES (U.N.O.).

D	Note 2 Amended	DL 07/12	IC 10/8/12	IC 10/8/12
C	Dwg Renamed and Renumbered, Entry Through Kerb Details Mod. to Saw Cut Type.	DL 11/09	IC 12/10	PC 01/11
A-B	Refer to Previous Releases	04/01-11/04	05/01-02/05	06/01-02/05
ISSUE	AMENDMENT	DRAWN DATE	CHK'D DATE	APPR'D DATE

DESIGN AUTHORISED FOR ISSUE B. BALL SIGNATURE ON ORIGINAL DATED 29/6/01				DESIGN	STD DWG GROUP	DATE	April '01
MANAGER ASSET SUPPORT - R.P.E.Q: 1 8 5 2				DRAWN	CITY DESIGN	DATE	April '01
DESIGN APPROVED K. MEMORY SIGNATURE ON ORIGINAL DATED 27/6/01				CHECKED	R. WILSON	DATE	May '01
SENIOR PROGRAM OFFICER NETWORK OPERATIONS - R.P.E.Q: 4 7 6 1				DRAWING FILENAME	/UMS 600_020.dwg		
				ASSOCIATED PLANS	Previous Dwg No. UMS 617		



BRISBANE CITY COUNCIL STANDARD DRAWING

GENERAL ARRANGEMENT FOR ACCESS TO CABLE JOINT PIT (SAW CUT ENTRY)

SCALE NOT TO SCALE	
DWG No. UMS 600/020	
ORIGINAL SIZE	REVISION
A3	D