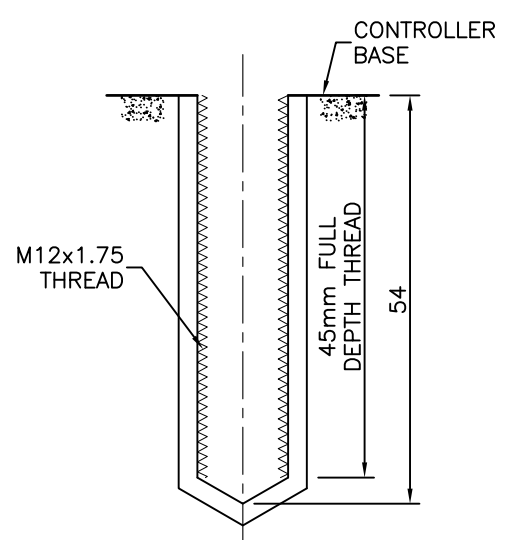
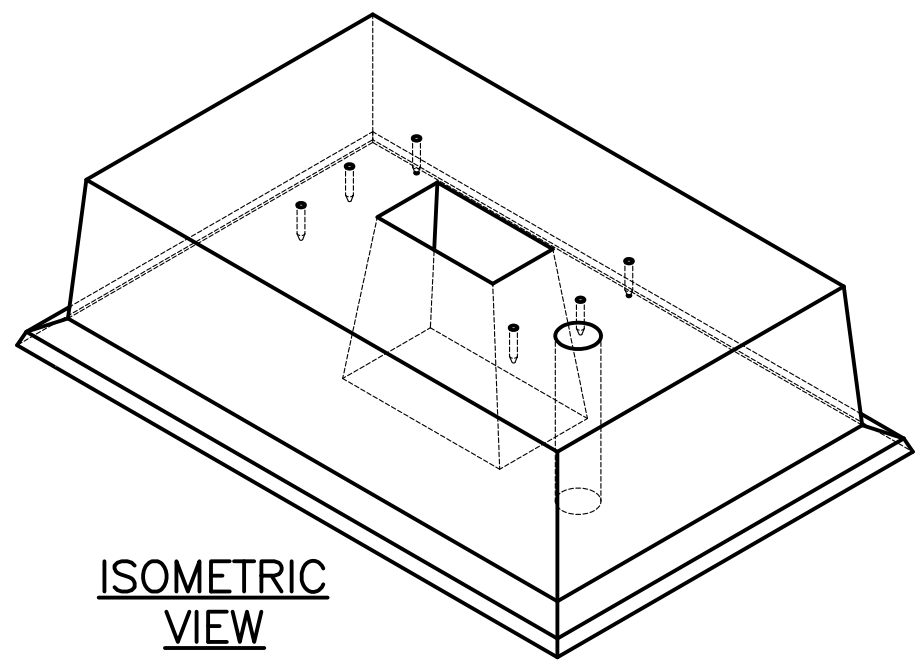


TOP VIEW

6 OFF M12x1.75 THREADED INSERTS (STAINLESS STEEL 316 GRADE) 54mm DEEP. REFER TO DETAIL



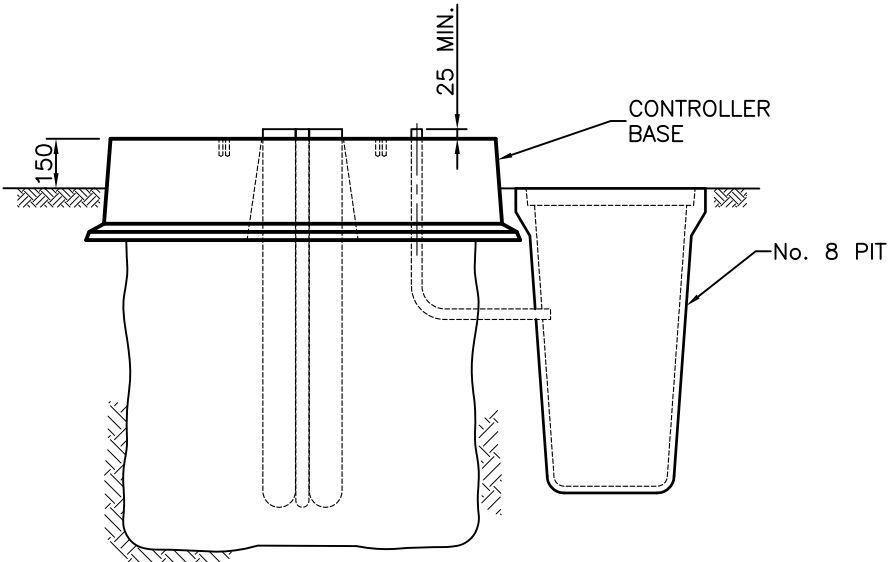
THREAD DETAIL



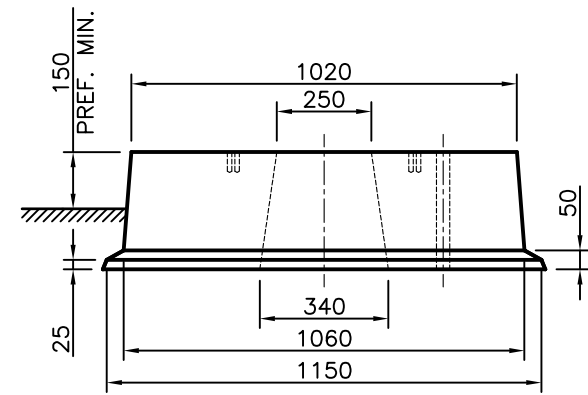
ISOMETRIC VIEW

NOTES:

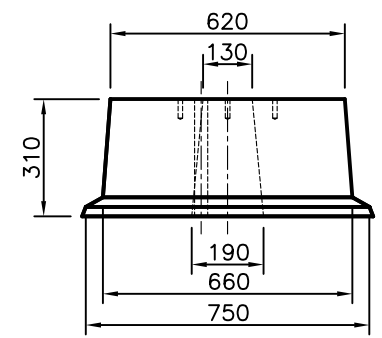
1. CONCRETE TO BE GRADE N32.
2. ALL CORNERS R20 EXCEPT BASE.
3. EARTH ELECTRODE – REFER AS/NZS3000:2007, CLAUSE 5.3.6. PREFERRED OPTION IS HORIZONTAL (STRIP) TYPE ELECTRODE, 4m IN LENGTH. FOR INSTALLATION REFER TO AS3000, TABLE 5.2 AND UMS 600/024 TYPE LV3 AND TYPE LV4.
4. TESTING TO ENSURE COMPLIANCE WITH AS/NZS3000:2007, CLAUSE 8.3 IS MANDATORY.
5. FOR LEGIBLE WARNING LABEL REQUIREMENTS, REFER AS3000, CLAUSE 5.5.1.3.
6. DIMENSIONS IN MILLIMETRES (U.N.O.).



CONTROLLER FOOTING FRONT VIEW



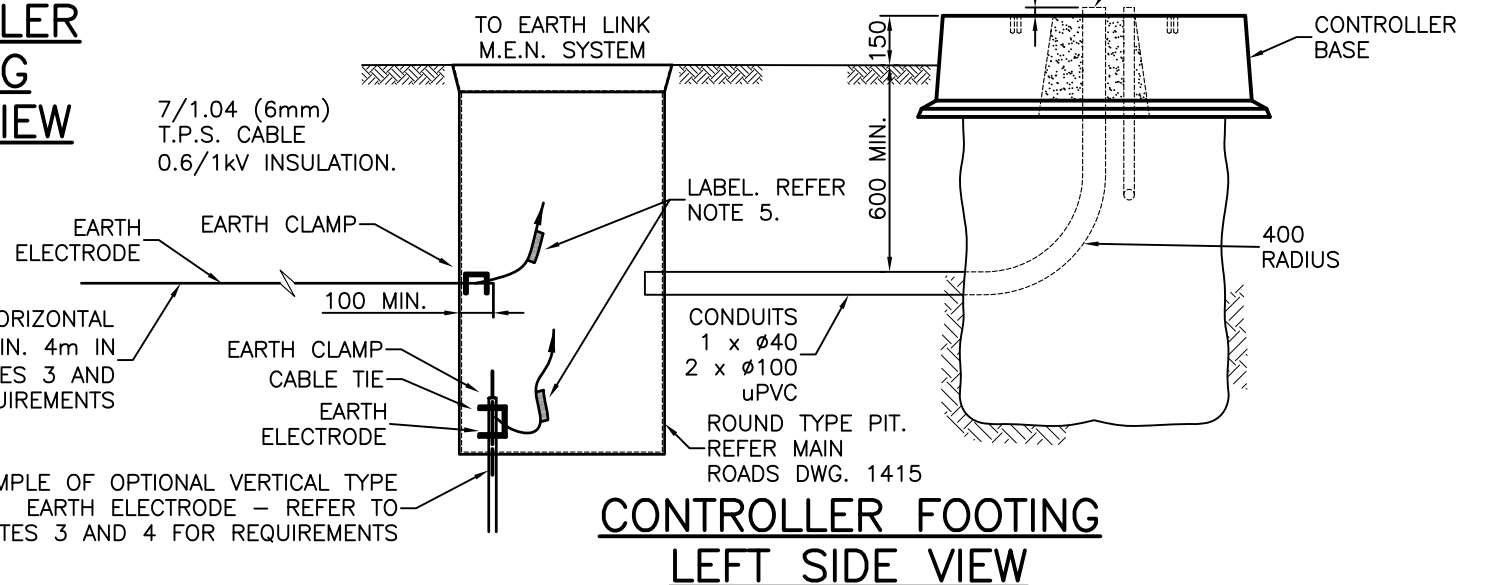
FRONT VIEW



RIGHT SIDE VIEW

EXAMPLE OF PREFERRED HORIZONTAL TYPE EARTH ELECTRODE (MIN. 4m IN LENGTH) – REFER TO NOTES 3 AND 4 FOR REQUIREMENTS

EXAMPLE OF OPTIONAL VERTICAL TYPE EARTH ELECTRODE – REFER TO NOTES 3 AND 4 FOR REQUIREMENTS



CONTROLLER FOOTING LEFT SIDE VIEW

ISSUE	AMENDMENT	DRAWN DATE	CHK'D DATE	APPR'D DATE
D	Earth Electrode Req. and Note 3 Mod., Note 5 Added.	DJL 06/11	IC 2/4/12	GB 31/5/12
C	Dwg No. Changed, Earth stake details amended.	Nov '09	IC 12/10	PC 01/11
B	Additional Detail to Top View, Controller Footing Details (Left Side and Front View) Added.	Nov '04	CIG 02/05	AG 02/05
A	ORIGINAL ISSUE	April '01	May '01	June '01

DESIGN	STD DWG GROUP	DATE
DRAWN	CITY DESIGN	DATE April '01
CHECKED	R. WILSON	DATE May '01
DRAWING FILENAME	\UMS 600_033	
ASSOCIATED PLANS	Previous Dwg No. UMS 630	



BRISBANE CITY COUNCIL STANDARD DRAWING

CONTROLLER BASE INSTALLATION DETAILS

SCALE: NOT TO SCALE

DWG No. **UMS 600/033**

ORIGINAL SIZE: A3 REVISION: D