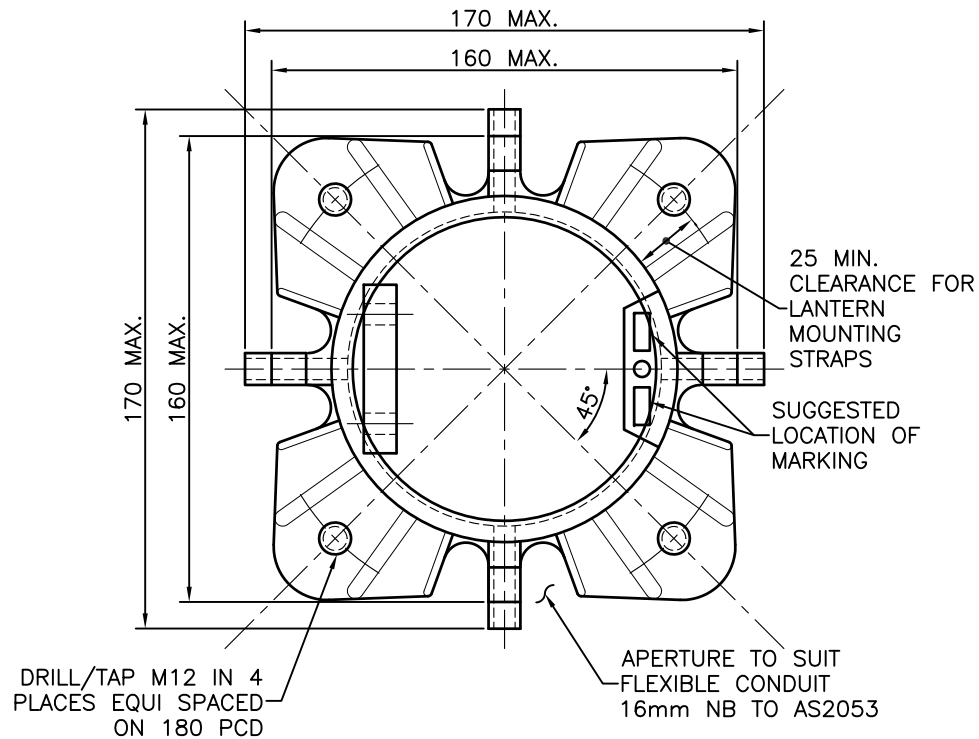
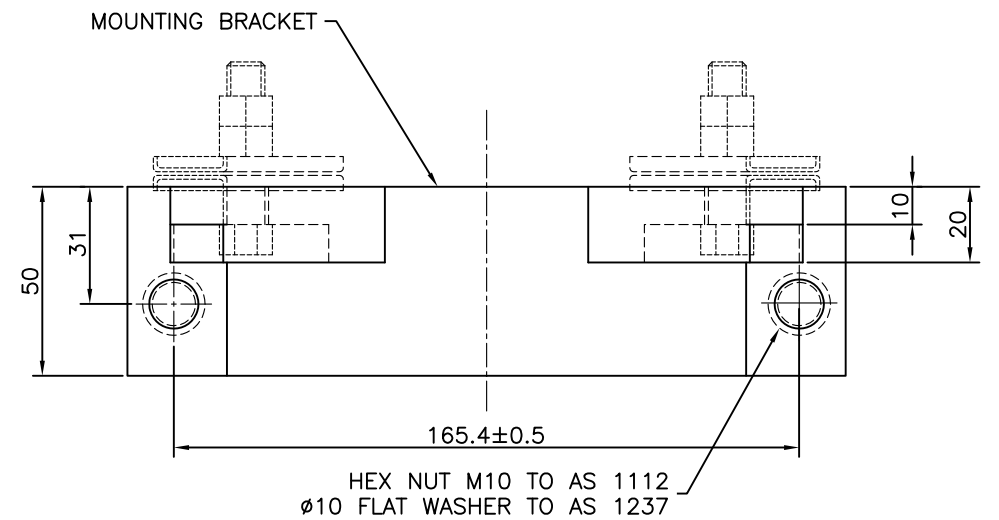
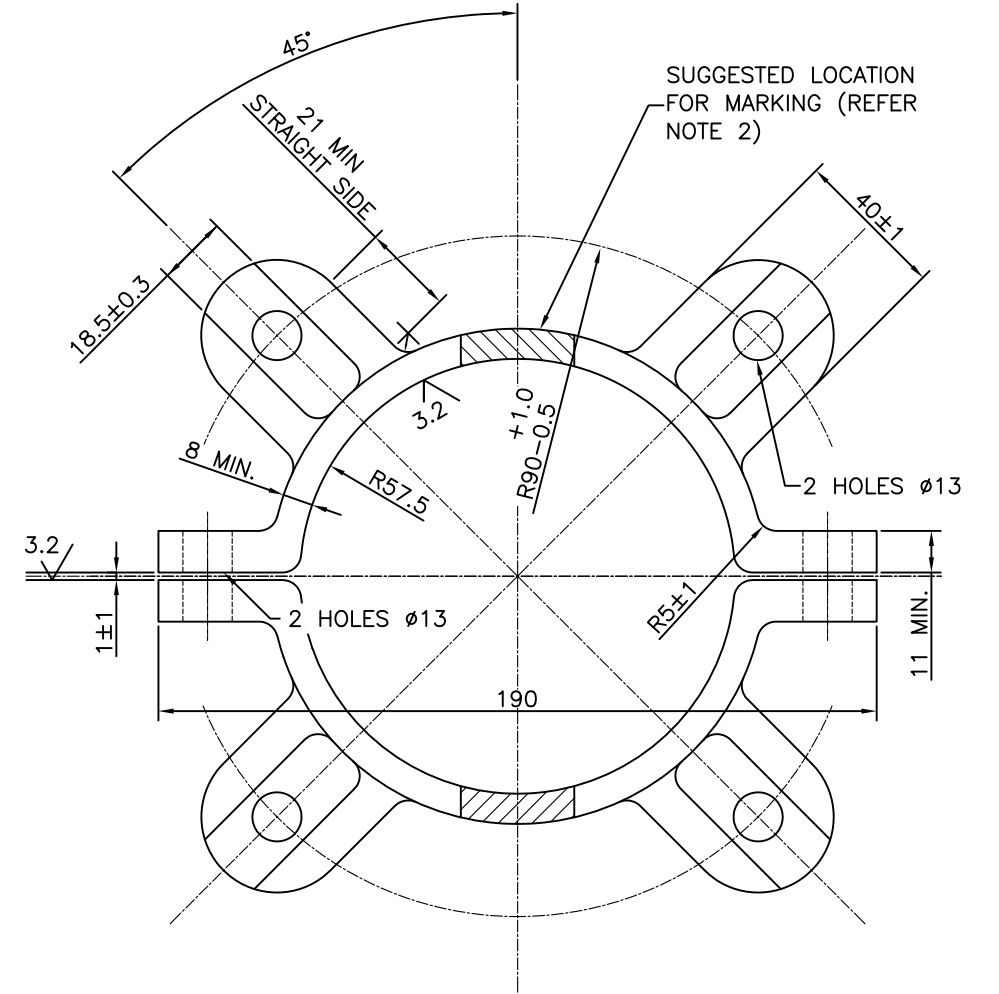


**ELEVATION**



**PLAN**  
(SHOWING UPPER LANTERN SUPPORT BRACKET CASTING ONLY WITH ALL OTHER PARTS DELETED FOR CLARITY)



**MOUNTING BRACKET DETAIL**

**NOTES:**

1. ALL EQUIPMENT MUST COMPLY WITH AS2339 "TRAFFIC SIGNAL POST & ATTACHMENTS".
2. MANUFACTURERS IDENTIFICATION & DATE OF MANUFACTURE SHALL BE MARKED ON THE CASTING CLEARLY, INDELIBLY AND WEATHER RESISTANT.
3. AN APPROVED ANTI-SEIZE COMPOUND CONTAINING ZINC DUST SHALL BE APPLIED TO ALL TAPPED HOLES IN THE CASTING.
4. NUMBERED TERMINALS SHALL BE ISOLATION TERMINALS.
5. P1 - P4 TERMINALS ARE USED FOR 36 CORE CABLE.
6. FOR CABLE CONNECTIONS REFER UMS DRAWINGS LISTED IN TABLE 1 BELOW.
7. DIMENSIONS IN MILLIMETRES (UNO).

**TABLE 1**

CABLE SIZE	DRAWING No.
19 CORE	UMS 600/082
29 CORE	UMS 600/083
36 CORE	UMS 600/084
51 CORE	UMS 600/085

ISSUE	AMENDMENT	DRAWN DATE	CHK'D DATE	APPR'D DATE
D	Terminal Type Depiction Mod.	DJL 04/12	IC 24/4/12	GB 31/5/12
C	Dwg No. Changed, Mounting Bracket Amend, P1 - P4 Terminals Added	Nov '09	IC 12/10	PC 01/11
B	MOUNTING BRACKET ADDED	FEB '05	CIG 02/05	AG 02/05
A	ORIGINAL ISSUE	April '01	May '01	June '01

DESIGN AUTHORISED FOR ISSUE B. BALL SIGNATURE ON ORIGINAL DATED 29/6/01				DESIGN	STD DWG GROUP	DATE	April '01
MANAGER ASSET SUPPORT - R.P.E.Q: 3 & 5 2				DRAWN	CITY DESIGN	DATE	April '01
DESIGN APPROVED B. HANSEN SIGNATURE ON ORIGINAL DATED 27/6/01				CHECKED	M. STEER	DATE	May '01
PRINCIPAL ASSET OFFICER ROADS & DRAINAGE				DRAWING FILENAME	UMS 600_040		
				ASSOCIATED PLANS	Previous Dwg No. UMS 646		



**BRISBANE CITY COUNCIL STANDARD DRAWING**

**TRAFFIC SIGNAL POST TOP ASSEMBLY & LOWER MOUNTING BRACKET**

SCALE: NOT TO SCALE  
DWG No. UMS 600/040  
ORIGINAL SIZE: A3 REVISION: D