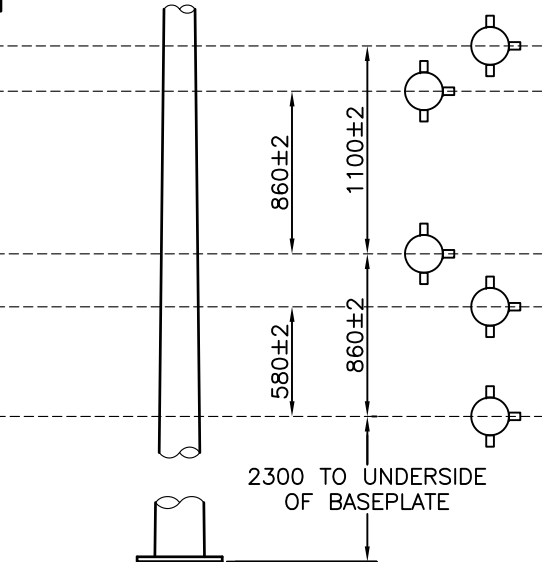
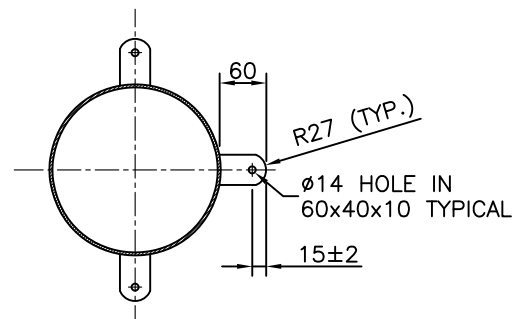


FRONT VIEW
SIDE VIEW
JOINT-USE COLUMN

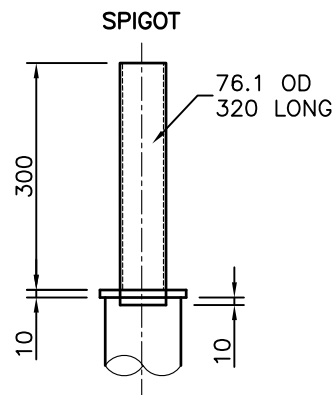


NOTE: DIMENSIONS BETWEEN FIXING LUGS APPLY FROM THE TOP FACE OF ONE LUG TO THE TOP FACE OF THE CORRESPONDING LUG

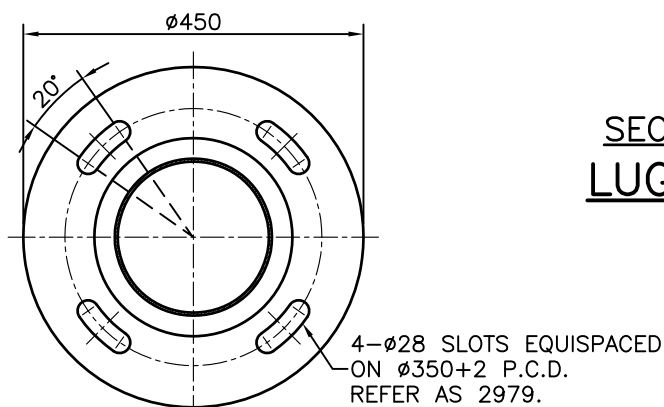
**DETAIL C
COLUMN LANTERN FIXINGS**



**SECTION A-A
LUG DETAIL**

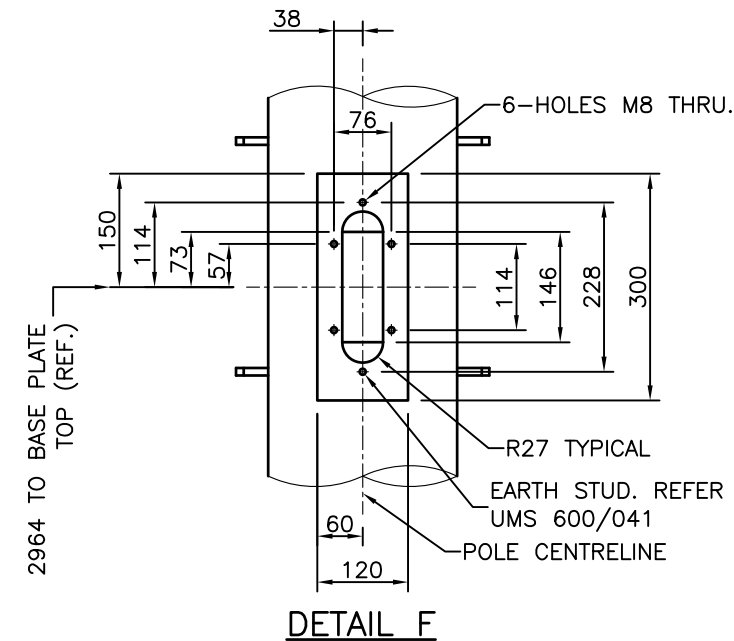


DETAIL D

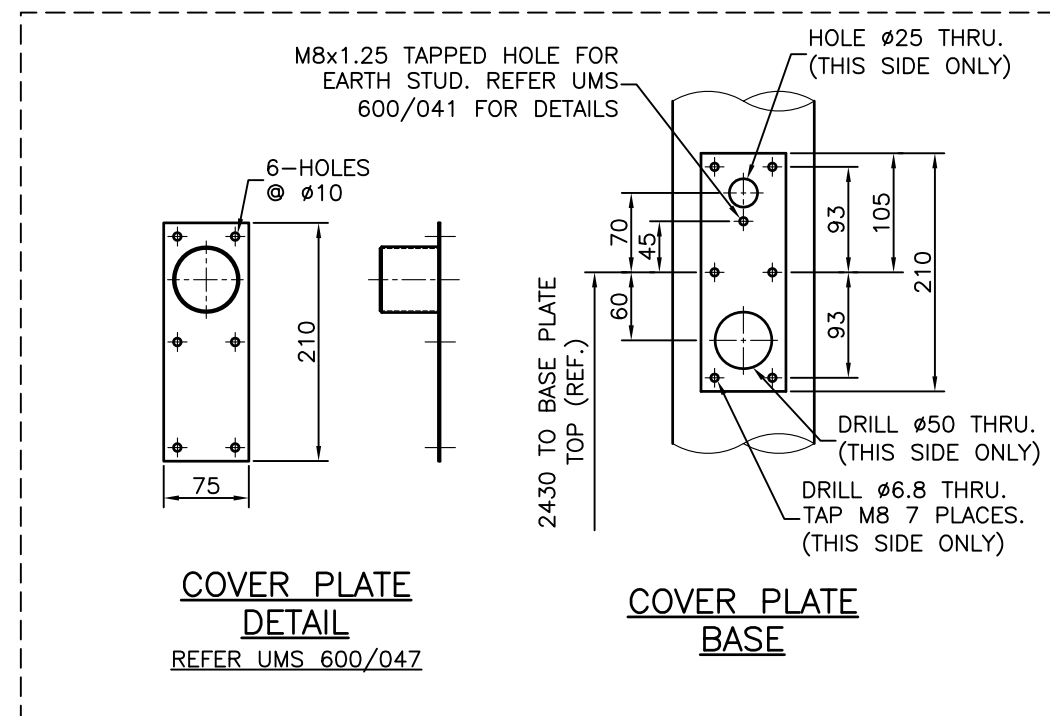


NOTE : RAGBOLTS TO BE N28
BAR WITH M24 THREAD

**SECTION E-E
BASE PLATE**



DETAIL F



**DETAIL G
RATE 2 PUBLIC LIGHTING EARTH
STUD COVER AND PLATE DETAIL**

NOTES:

1. DIMENSIONAL TOLERANCE ± 0.5 (U.N.O.).
2. STEEL PLATES TO COMPLY WITH AS3678 GRADE 250 U.N.O.
3. STEEL BARS AND SECTIONS TO COMPLY WITH AS3879 GRADE 250 U.D.N.
4. FILLET WELDS TO COMPLY WITH AS1554 PART 1 CATEGORY GP U.D.N.
5. ALL SHARP EDGES AND BURRS TO BE REMOVED.
6. ALL TAPERED LOCK JOINT LENGTHS ARE NOMINAL.
7. ALL STEEL TO BE FULLY HOT DIP GALVANISED AFTER FABRICATION IN ACCORDANCE WITH AS/NZS4680.
8. FOR FOOTING DETAILS, REFER ENERGEX DRAWING 4927-A4/2 PAGE 21.
9. DIMENSIONS IN MILLIMETRES (U.N.O.).

C	Cover Plate Detail Modified.	DL 01/12	IC 2/4/12	GB 31/5/12
B	Dwg No. Changed, Earth Studs Added, Cover Plate Amended.	Nov '09	IC 01/11	PC 01/11
A	ORIGINAL ISSUE	April '01	May '01	June '01
ISSUE	AMENDMENT	DRAWN DATE	CHK'D DATE	APPR'D DATE

DESIGN AUTHORISED FOR ISSUE B. BALL SIGNATURE ON ORIGINAL DATED 29/6/01				DESIGN	STD DWG GROUP	DATE	April '01
MANAGER ASSET SUPPORT - R.P.E.Q. 1 8 5 2				DRAWN	CITY DESIGN	DATE	April '01
DESIGN APPROVED K. MEMORY SIGNATURE ON ORIGINAL DATED 27/6/01				CHECKED	R. WILSON	DATE	May '01
SENIOR PROGRAM OFFICER NETWORK OPERATIONS - R.P.E.Q. 4 7 6 1				DRAWING FILENAME	UMS 600_052		
				ASSOCIATED PLANS	Previous Dwg No. UMS 641		



BRISBANE CITY COUNCIL STANDARD DRAWING

**JOINT USE COLUMN
DETAILS
(BCC TYPE)**

SCALE	NOT TO SCALE
DWG No.	UMS 600/052
ORIGINAL SIZE	A3
REVISION	C