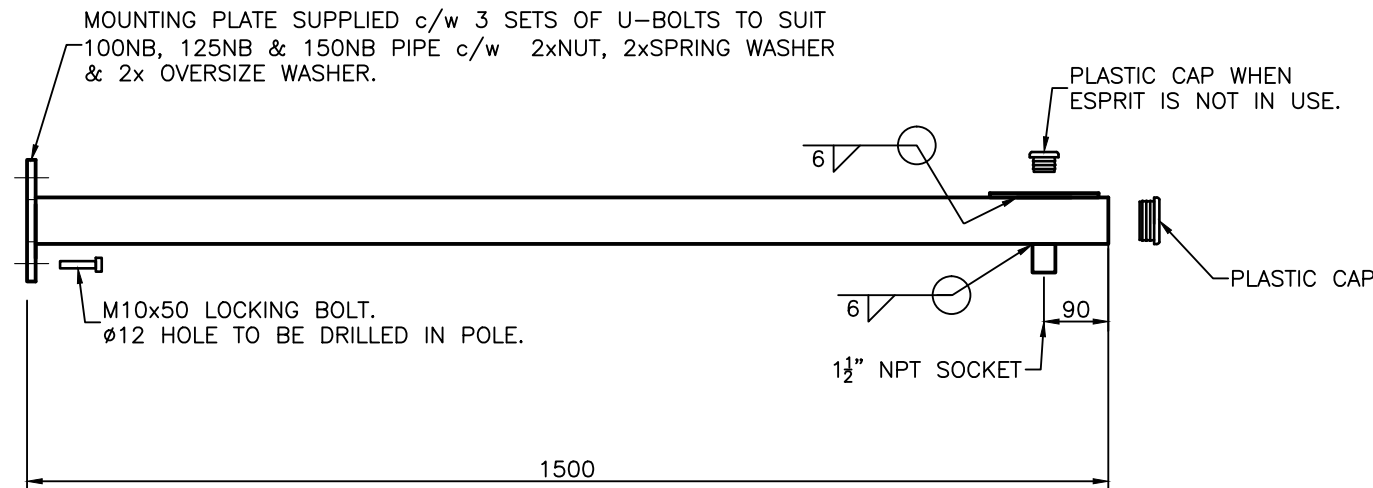


ESPRIT MOUNTING PLATE

MOUNTING PLATE



SPECIAL NOTE:
 STANDARD DRAWING BASED GM POLES PTY LTD
 DRAWING WS38276B-1.
 DESIGN CERTIFIED IN ENGINEERING STATEMENT DATED
 12 APRIL 2010, SIGNED BY ROB WALTERS (RPEQ:
 6228) ENGINEERING MANAGER, GM POLES PTY LTD.

DESIGN NOTES

DESCRIPTION:

1.5m OUTREACH FOR TRAFFIC CAMERA TO BE MOUNTED ONTO BCC JOINT-USE POLES OR BCC JOINT-USE MAST ARMS AT LOCATIONS WHERE THE POLE DIAMETER IS WITHIN 115-165mm.

PERFORMANCE CRITERIA:

- TO BE USED ON 7m, 8.5m OR 10m BCC JOINT USE POLES OR BCC TAPERED ROUND JOINT USE MAST ARMS.
- POLES AND MAST ARMS TO HAVE SINGLE LUMINAIRE OUTREACHES ONLY.
- BRACKETS MUST BE MOUNTED AT LEAST 1.5m FROM THE TOP OF THE POLE (E.G. 8.5m FROM GROUND ON A 10m POLE).
- BRACKETS ARE CAPABLE OF SUPPORTING 1 X ONLY CAMERA. CAMERA MUST BE HOUSED IN EITHER:
 - PELCO, SPECTRA IV SERIES DOME;
 - PELCO, ES30C/ES31C SERIES POSITIONING SYSTEM;
 - ENCLOSURE WITH TOTAL MAXIMUM: SAIL AREA OF 0.1m² AND WEIGHT OF 15kg;
- BRACKETS MAY BE USED WITHIN BRISBANE CITY COUNCIL LIMITS AND ARE DESIGNED TO PERFORM SATISFACTORILY DURING BCC SPECIFIED ULTIMATE LIMIT STATE WIND SPEEDS.

MANUFACTURING NOTES

- PIPE TO AS1163, GRADE 250 OR 350
- RHS TO AS1163, GRADE 350
- PLATE TO AS3678, GRADE 300 U.N.O.
- STAINLESS STEEL FIXINGS GRADE 304
- WELDING TO AS1554.1 G.P. U.N.O.
- POLE INTEGRAL OUTREACHES TO BE OPPOSITE DOOR
- WELDING ELECTRODES E48XX OR W50X
- STEEL TO BE H.D.G. TO AS/NZS4680 AFTER FABRICATION
- WELDS TO BE 6MM FILLET U.N.O.
- TAP ALL THREADS AFTER GALVANISING.
- TOLERANCES AS PER STD001 U.N.O.
- PROVIDE VENT HOLES AT CONNECTIONS
- ALL DIMENSIONS IN MILLIMETRES (U.N.O.)

ISSUE	AMENDMENT	DRAWN DATE	CHK'D DATE	APPR'D DATE
A	ORIGINAL ISSUE	Oct '10	IC 01/11	PC 01/11

DESIGN AUTHORISED FOR ISSUE			
P COTTON SIGNATURE ON ORIGINAL	DESIGN	GM Poles	DATE 12/03/10
MANAGER CITY ASSETS, R.P.E.Q. 2546	DRAWN	GM Poles/DJL	DATE Oct '10
DESIGN APPROVED	CHECKED	I. Condric	DATE Jan '11
I. CONDRIK SIGNATURE ON ORIGINAL DATED 01/11	DRAWING FILENAME	/UMS600_058	
PRINCIPAL ENGINEER STRATEGIC ASSET MANAGEMENT 8591	ASSOCIATED PLANS	GM POLES PTY LTD DRAWING WS38276B-1	



BRISBANE CITY COUNCIL STANDARD DRAWING

UNIVERSAL 1.5m CAMERA OUTREACH FABRICATION DETAILS

SCALE: NOT TO SCALE
 DWG No. UMS 600/058
 ORIGINAL SIZE: A3 REVISION: A