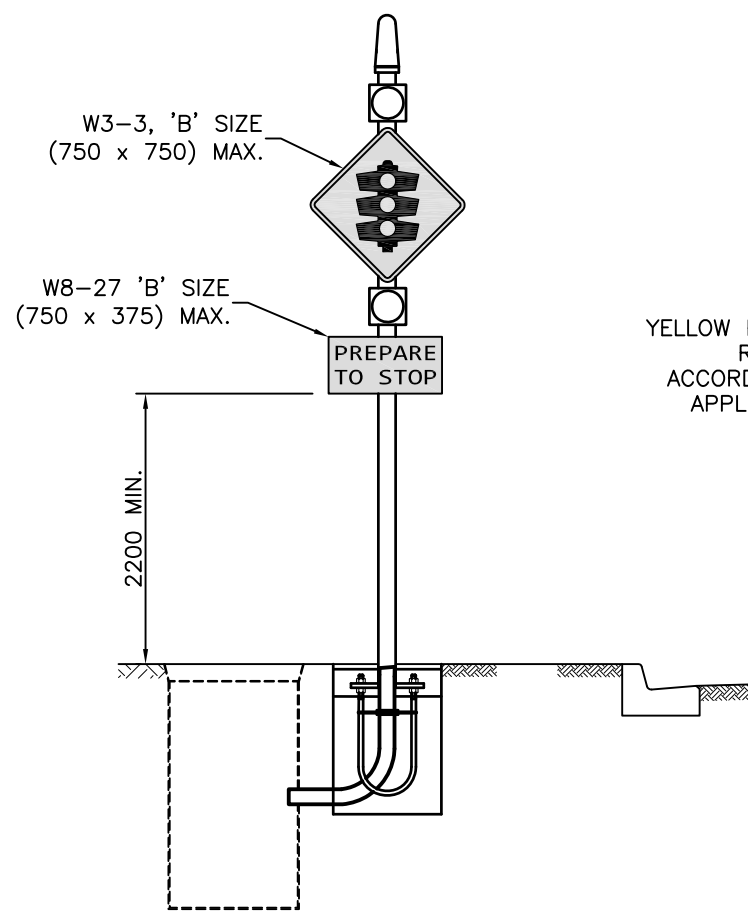
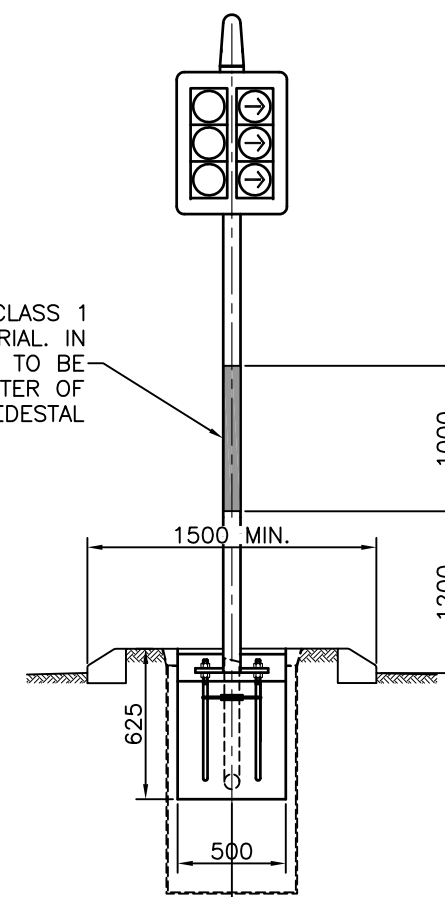


MINIMUM SET BACK DISTANCE FROM KERB

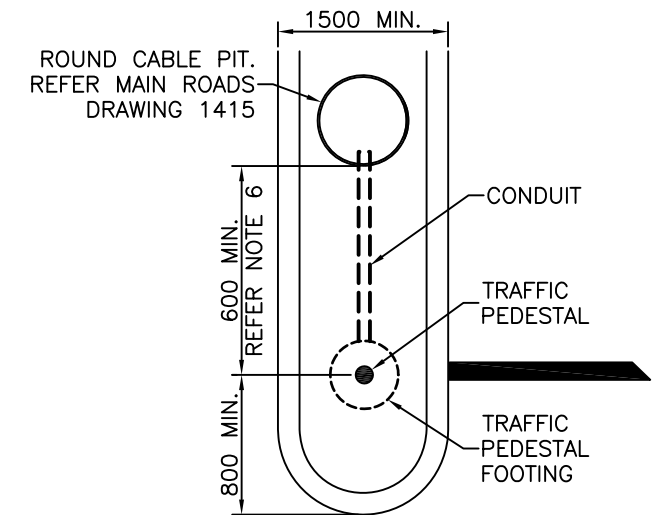


ADVANCED WARNING PEDESTAL ARRANGEMENT

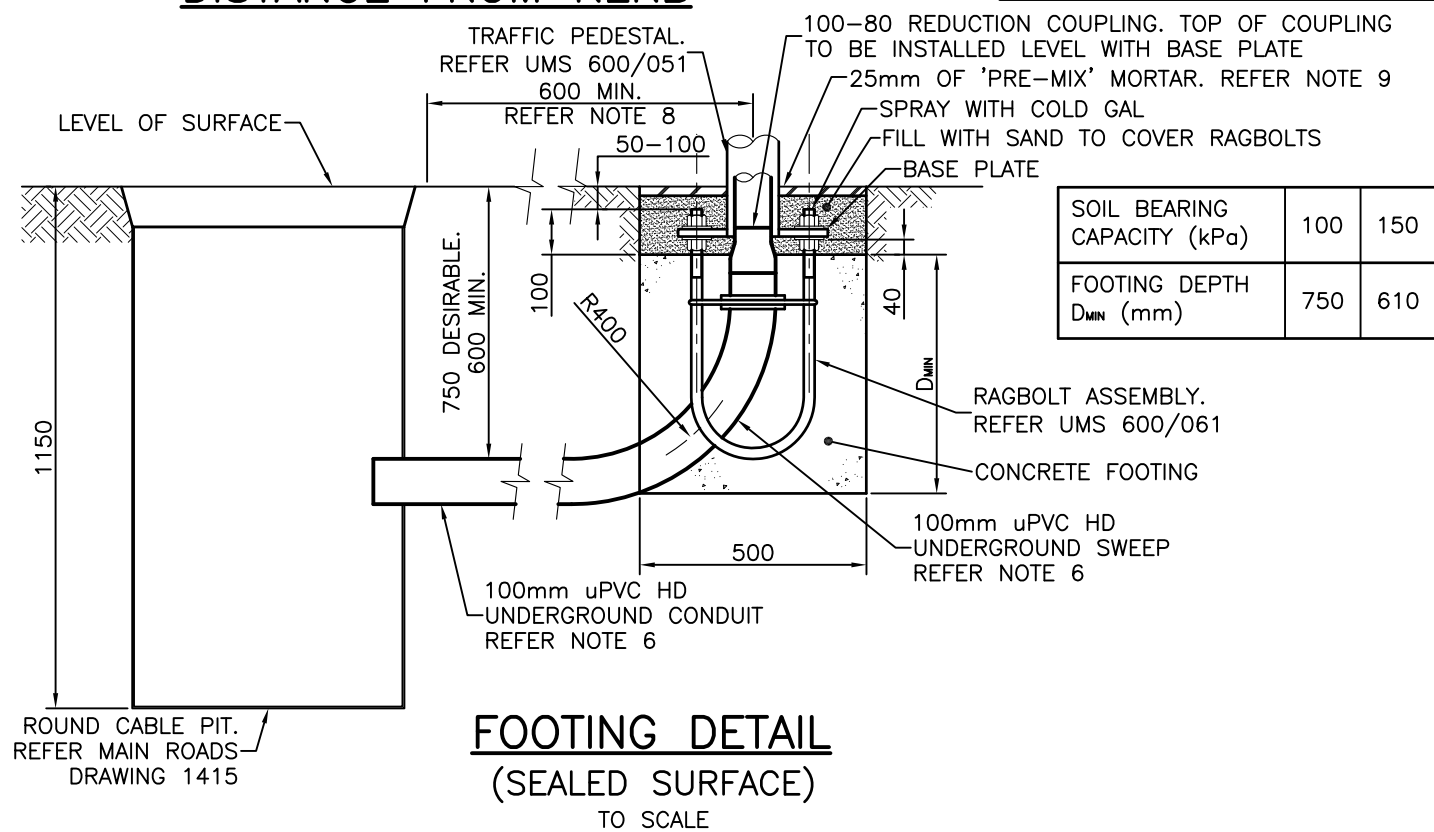
YELLOW PRESSURE SENSITIVE CLASS 1 RETROREFLECTIVE MATERIAL. IN ACCORDANCE WITH AS.1906.1 TO BE APPLIED TO ENTIRE PERIMETER OF SIGNAL PEDESTAL



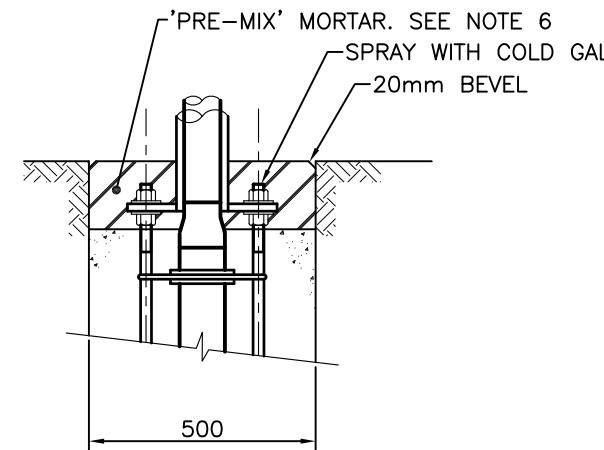
MINIMUM MEDIAN WIDTH



MEDIAN SET OUT DETAILS PLAN VIEW



FOOTING DETAIL (SEALED SURFACE) TO SCALE



FOOTING DETAILS (GRASS SURFACE) TO SCALE

NOTES:

- DESIGN STANDARDS:
 - AS4676-2000, AS1170.2-2002 AND AS2144-2002;
 - TERRAIN CATEGORY 2.5;
 - IMPORTANCE FACTOR 2.
- FOR 1.7m POST AND 4.1m PEDESTAL - FOR DETAILS REFER UMS 600/051.
- FOR RAG BOLT DETAILS REFER UMS 600/061.
- A LICENSED ELECTRICAL WORKER SHALL SUPERVISE THE INSTALLATION OF CONDUIT AND SWEEPS.
- CONCRETE SHALL BE N25.
- PITS TO BE MINIMUM OF 600mm TO A MAXIMUM OF 6000mm FROM ASSOCIATED POST.
- MORTAR MIX: SAND 80%
CEMENT 16%
LIME 3%
- SPREAD FOOTING MAY BE USED WHERE REQUIRED REFER UMS 600/062.
- 25mm MAX. HEIGHT OF THREAD TO BE LEFT PROTRUDING ABOVE BASE PLATE LOCK DOWN NUT.
- DIMENSIONS IN MILLIMETRES (U.N.O.).

F	Conduit & uPVC Bend Req. Mod in Footing Detail	DL 04/12	IC 24/4/12	GB 31/5/12
E	Dwg No. Changed, Footing Details Amend, Notes 1, 2, 3, 5 & 11 Added.	Jun '10	IC 01/11	PC 01/11
A-D	Refer Previous Revisions for Detail.	04/01 - 09/06	05/01 - 11/06	06/01 - 11/06
ISSUE	AMENDMENT	DRAWN DATE	CHK'D DATE	APPR'D DATE

DESIGN AUTHORIZED FOR ISSUE B. BALL SIGNATURE ON ORIGINAL DATED 29/6/01	DESIGN	STD DWG GROUP	DATE	April '01
MANAGER ASSET SUPPORT - R.P.E.Q: 3 8 5 2	DRAWN	CITY DESIGN	DATE	April '01
DESIGN APPROVED K. MEMORY SIGNATURE ON ORIGINAL DATED 27/6/01	CHECKED	R. WILSON	DATE	May '01
SENIOR PROGRAM OFFICER NETWORK OPERATIONS - R.P.E.Q: 4 7 6 1	DRAWING FILENAME	UMS 600_060		
	ASSOCIATED PLANS	Previous Dwg No. UMS 613		



BRISBANE CITY COUNCIL STANDARD DRAWING

TRAFFIC SIGNAL POST FOOTING DETAILS

SCALE: NOT TO SCALE

DWG No. **UMS 600/060**

ORIGINAL SIZE: A3 REVISION: F