

SPECIFICATIONS

FOR FENCING DETAILS REFER UMS 726.

STANDARD IS NOT FOR USE IN A MARINE ENVIRONMENT. THE MARINE ENVIRONMENT COULD EXTEND UP TO 1 km FROM THE FORESHORE.

SINGLE GATE – SUPPLY AND INSTALL ONE 900–1200mm HIGH x 1000mm WIDE – ALL PIPE TO BE MEDIUM GALVANISED THEN POWDER COATED SINGLE LEAF GATE. GATE TO BE SELF-CLOSING. FITTINGS TO BE BOLTED TO POSTS. INCLUDES TWO POWDER COATED GATE POSTS. GATES TO INCLUDE D LATCH.

DOUBLE GATE – SUPPLY AND INSTALL ON 900–1200mm HIGH x 4000mm WIDE ALL PIPE TO BE MEDIUM GALVANISED THEN POWDER COATED DOUBLE LEAF GATE. INCLUDES TWO POWDER COATED GATE POSTS CHAIN TO BE ATTACHED TO GATE TO ALLOW LOCKING OF DOUBLE GATES WITH PADLOCK (BCC SUPPLIED AND INSTALLED – CONTACT BCC LOCAL ASSET SERVICES, REFER UMS 711 FOR CONTACT DETAILS). GATES TO BE JOINED BY LOOP LATCH.

WHERE STANDARD IS REQUIRED FOR USE WITH MARINE ENVIRONMENT, THE FOLLOWING PROTECTION TREATMENT FOR STEELWORK IS REQUIRED:

- HOT DIP GALVANISING: 85 MICRONS (600g/m²) MIN;
- SWEEP ABRASIVE BLAST;
- FIRST COAT: EPOXY PRIMER 75 MICRONS MIN;
- SECOND COAT: TWO PACK ACRYLIC OR POLYURETHANE GLOSS 75 MICRONS MIN;

ALL CHAINWIRE AND TIE WIRE (BOTH MARINE AND NON-MARINE APPLICATIONS) TO BE PVC COATED.

OTHER SPECIFICATIONS:

- GATE POSTS (CAPPED) – 50NB (60.3 OD, 3.6 THICK)
- GATE FRAME/BRACE – 25NB
- CHAINWIRE – 50mm NOMINAL MESH WITH 2.5mm PVC COATED WIRE.
- CABLES & STRINGERS – PVC COATED 3.15mm
- PANELS – MAXIMUM 2400mm

ALL POSTS ARE TO BE CONCRETED INTO GROUND 300mmx600mm DEEP.

MAX. GAP OF 50mm UNDER ALL GATES.

FIXTURES/FITTINGS/METAL WORK

ALL FIXTURES/FITTINGS UNLESS SPECIFIED ARE TO BE HOT DIPPED GALVANISED.

GRIND SMOOTH EDGES & WELDS PRIOR TO H.D.G. OR APPLIED FINISHES.

ALL WELDS TO BE CONTINUOUS, GROUND OFF SMOOTH & FLUSH.

GENERAL NOTES

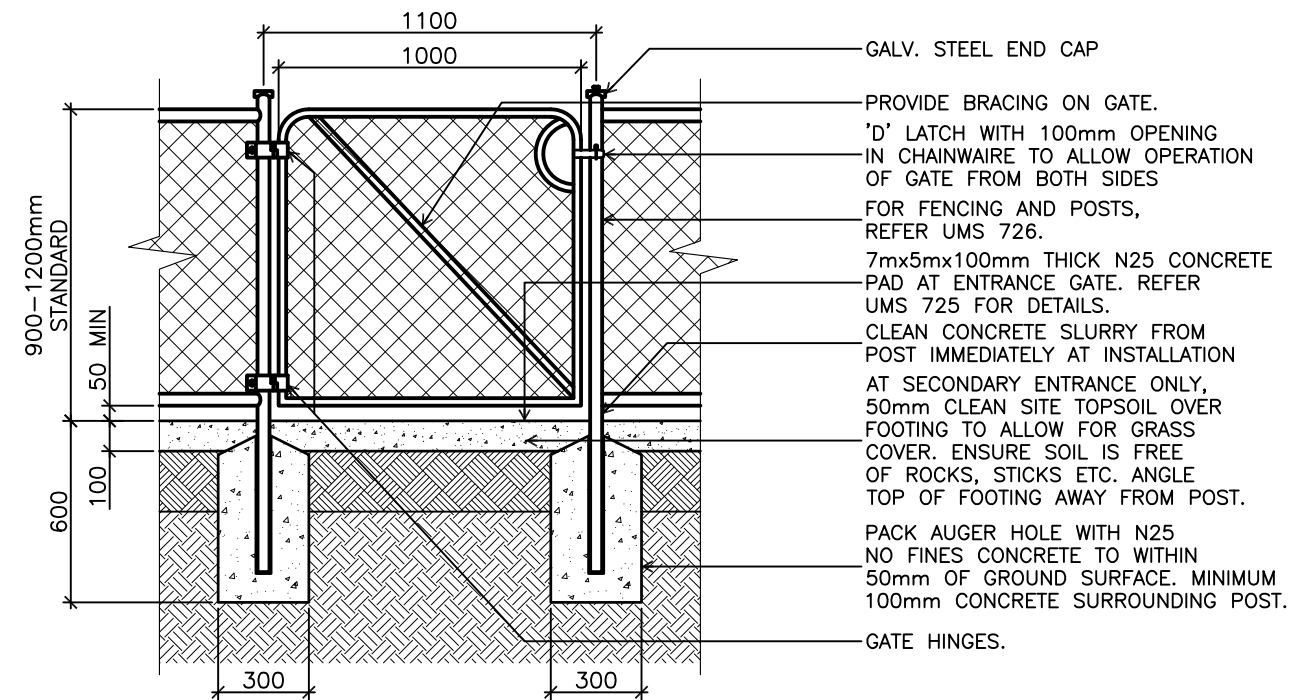
ENSURE MOWN HEIGHT OF GRASS (TURF) FINISHES FLUSH WITH PAVEMENT AREAS AND MAINTENANCE STRIP.

ENSURE GATES ARE LOCATED AND LANDSCAPED IN ACCORDANCE WITH DETAILED LANDSCAPE PLAN.

COLOUR SELECTION FOR POWDER COATING AND MATCHING PVC COATING IN ACCORDANCE WITH STANDARD BCC CORPORATE COLOUR PALETTE– "BCC GREY 3" (AS 2700S-1996 "N65 GRAPHITE GREY" EQUIVALENT).

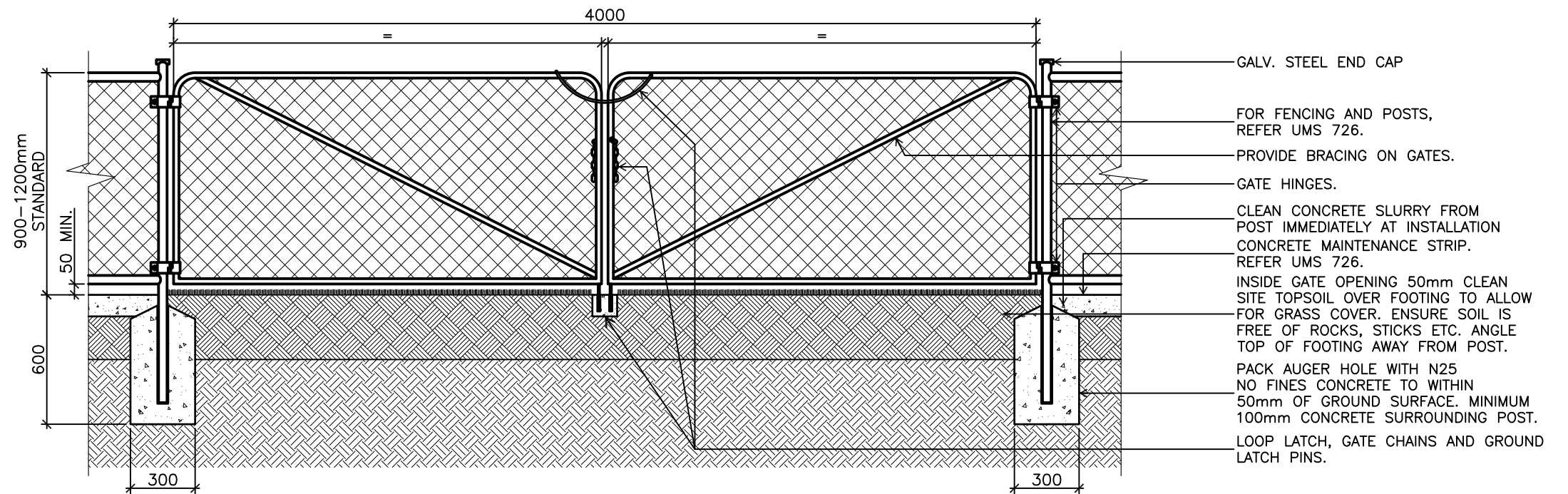
ENSURE PARK ELEMENTS ARE CLEANED OF CONCRETE SLURRY OR SPRAY WHEN INSTALLED TO PREVENT STAINING OR DAMAGE TO APPLIED FINISHES.

ALL DIMENSIONS IN MILLIMETRES (U.N.O.).



SINGLE GATE

SCALE 1:25



DOUBLE GATES

SCALE 1:25

ISSUE	AMENDMENT	DRAWN DATE	CHK'D DATE	APPR'D DATE
D	Specification Notes Amended	DJL 07/12	IC 08/12	IC 08/12
C	Latch Req. on Single Gate Mod, Post/Wire Specs Mod.	DJL 07/07	BH 08/07	BH 08/07
B	Marine Envir. Notes Added to Specification	DJL 08/05	JT 12/05	PC 21/3/06
A	ORIGINAL ISSUE	Dec '03	Jul '04	PC 09/04

DESIGN AUTHORIZED FOR ISSUE PAUL COTTON SIGNATURE ON ORIGINAL DATED 03/09/04	DESIGN	CITY DESIGN - L.A.	DATE	Dec '03
MANAGER INFRASTRUCTURE MANAGEMENT R.P.E.Q: 2546	DRAWN	CITY DESIGN - L.A.	DATE	Dec '03
DESIGN APPROVED	CHECKED	UMD - E&P (J.T.) and IMB (D.L. & G.M.)	DATE	Jun '04
LAUREN TEMPLEMAN SIGNATURE ON ORIGINAL DATED 31/08/04	DRAWING FILENAME	UMS 727.dwg		
PRINCIPAL PROGRAM OFFICER PARKS	ASSOCIATED PLANS			



BRISBANE CITY COUNCIL STANDARD DRAWING

**GATES – DOG
OFF LEASH FENCE**

SCALE	1:25
DWG No.	UMS 727
ORIGINAL SIZE	A3
REVISION	D