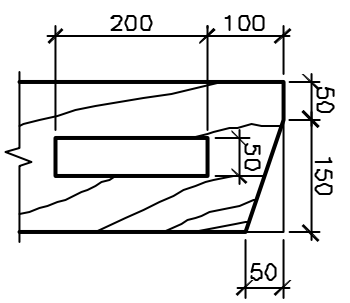
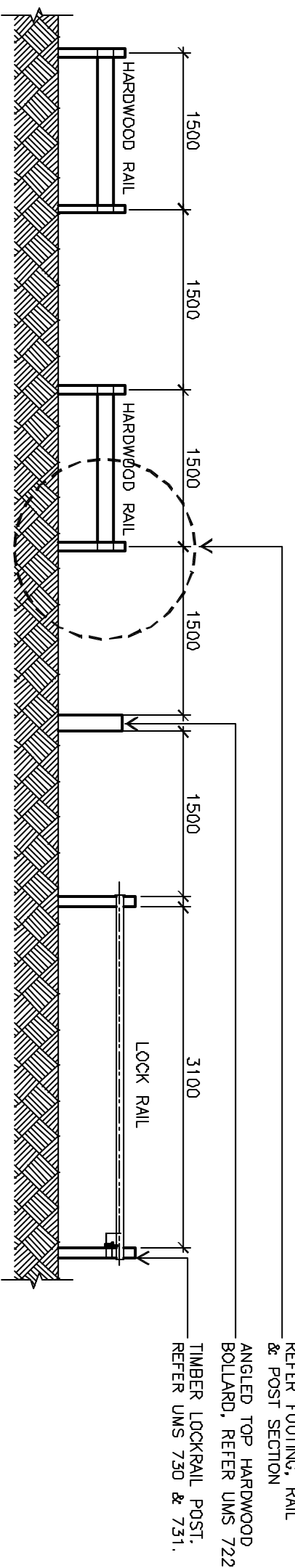


FOOTING, RAIL & POST – SECTION
SCALE 1:10

- FACE ANGLED EDGE TOWARD ROAD.
- 200x50x3600mm TIMBER RAILS. PAINT ALL CUT SECTIONS PRIOR TO ASSEMBLY WITH APPROVED TIMBER PRESERVATIVE.
- POST AS PER ANGLED TOP HARDWOOD BOLLARD, POSITIONED AT 1500mm SPACINGS. REFER UMS 722 FOR HARDWOOD BOLLARD DETAILS. REFER UMS 711 FOR LIST OF SUPPLIERS.
- CLEAN CONCRETE SLURRY FROM POST IMMEDIATELY AT INSTALLATION.
- LANDSCAPE AS SPECIFIED
- 50mm CLEAN SITE TOPSOIL OVER FOOTING TO ALLOW FOR GRASS COVER. ENSURE SOIL IS FREE OF ROCKS, STICKS ETC.
- PACK 300mmØ AUGER HOLE WITH N20 CONCRETE TO WITHIN 50mm OF GROUND SURFACE. MIN. 100mm CONCRETE SURROUNDING POST.
- 50mm DEPTH OF 15–25mm Ø NOM. GRAVEL FOR DRAINAGE TO PREVENT TIMBER ROT.



RAIL FIXING DETAIL
SCALE 1:10 ELEVATION A



HARDWOOD RAIL SETOUT
SCALE 1:50

GENERAL NOTES

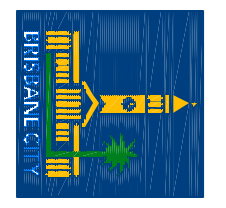
- ENSURE BARRIERS ARE LOCATED AND LANDSCAPED IN ACCORDANCE WITH DETAILED LANDSCAPE PLAN, AND SUBDIVISION AND DEVELOPMENT GUIDELINES.
- ENSURE BARRIERS ARE CLEANED OF CONCRETE SLURRY OR SPRAY WHEN INSTALLED TO PREVENT STAINING OR DAMAGE TO APPLIED FINISHES.
- BARRIERS TO BE IN A STRAIGHT LINE OR AS DIRECTED. LOCATE BARRIERS ON PARK BOUNDARY, OR SET BACK 500mm FROM EDGE OF INTERNAL ROAD, OR AS SHOWN ON DESIGN PLAN.
- ALL DIMENSIONS IN MILLIMETRES (U.N.D.).

TIMBER NOTES

- ALL TIMBER TO BE ACQ TREATED ROUGH SAWN APPEARANCE GRADE HARDWOOD OF ONE SPECIES.
- ALL TIMBER IN CONTACT WITH GROUND TO BE PRESERVATIVE TREATED TO HAZARD CLASS H5 TO AS 1604.1–2000 AND HAVE A DURABILITY CLASS 1 OR 2 TO AS 5604–2003.
- ALL EXPOSED EDGES TO RECEIVE MIN. 5mm WIDE ARRIS.
- PRIOR TO INSTALLATION, ALL CUTS, EDGES, JOINTS TO RECEIVE LIBERAL COATINGS WITH AN APPROVED TIMBER PRESERVATIVE.
- ALL TIMBER TO BE FREE OF KNOTS, SPLINTERS, SHACKS OR ANY MAJOR DEFECT.
- TIMBER FINISHES AS SPECIFIED – WHERE NO COLOUR SPECIFIED, FINISH WITH 3 COATS OF CLEAR APPROVED TIMBER PRESERVATIVE (SATIN). COAT ENTIRE BOLLARD PRIOR TO PLACING.
- COLOUR SELECTION WHERE APPLICABLE IN ACCORDANCE WITH STANDARD BCC CORPORATE COLOUR PALETTE.

| ISSUE | AMENDMENT | DRAWN DATE | CHK'D DATE | APPR'D DATE |
|-------|----------------|------------|------------|-------------|
| A | ORIGINAL ISSUE | Dec '03 | Jul '14 | PC 19/04 |

| | | | | |
|--|----------------------------------|-------------------------------|---|-----------------|
| DESIGN AUTHORISED FOR ISSUE PAUL COTTIN SIGNATURE ON ORIGINAL DATED 13/07/14 | DESIGN APPROVED R.P.E.O. 2516 | DESIGN DATE DATED 31/08/14 | DESIGN CITY DESIGN - L.A. | DATE Dec '03 |
| MANAGER INFRASTRUCTURE MANAGEMENT | DESIGN CHECKED UHS 732dhg | DESIGN DATE Jun '04 | CITY DESIGN - L.A. | DATE Dec '03 |
| LAREN TEPFLEMAN SIGNATURE ON ORIGINAL DATED 31/08/14 | DRAWING FLENAME UHS 732dhg | DATE Jun '04 | UHS - E.P. J.L.I. and H.B. D.L. & G.M. | DATE Jun '04 |
| PRINCIPAL PROGRAM OFFICER PARKS | ASSOCIATED PLANS | | | |



BRISBANE CITY COUNCIL - URBAN MANAGEMENT DIVISION

DRESSED HARDWOOD BARRIER

SCALE AS SHOWN
TITLING UMS 732
ORIGINAL SIZE A3
REVISION A