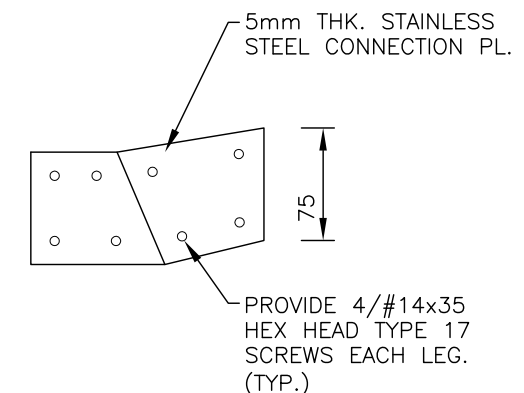


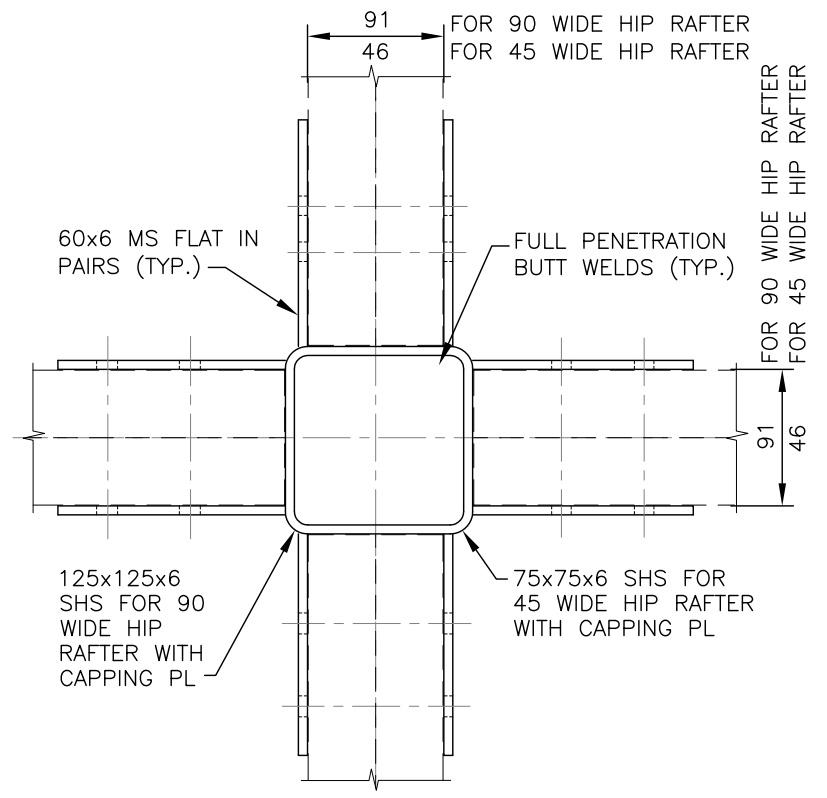
**APEX PLAN**

**NOTES:**

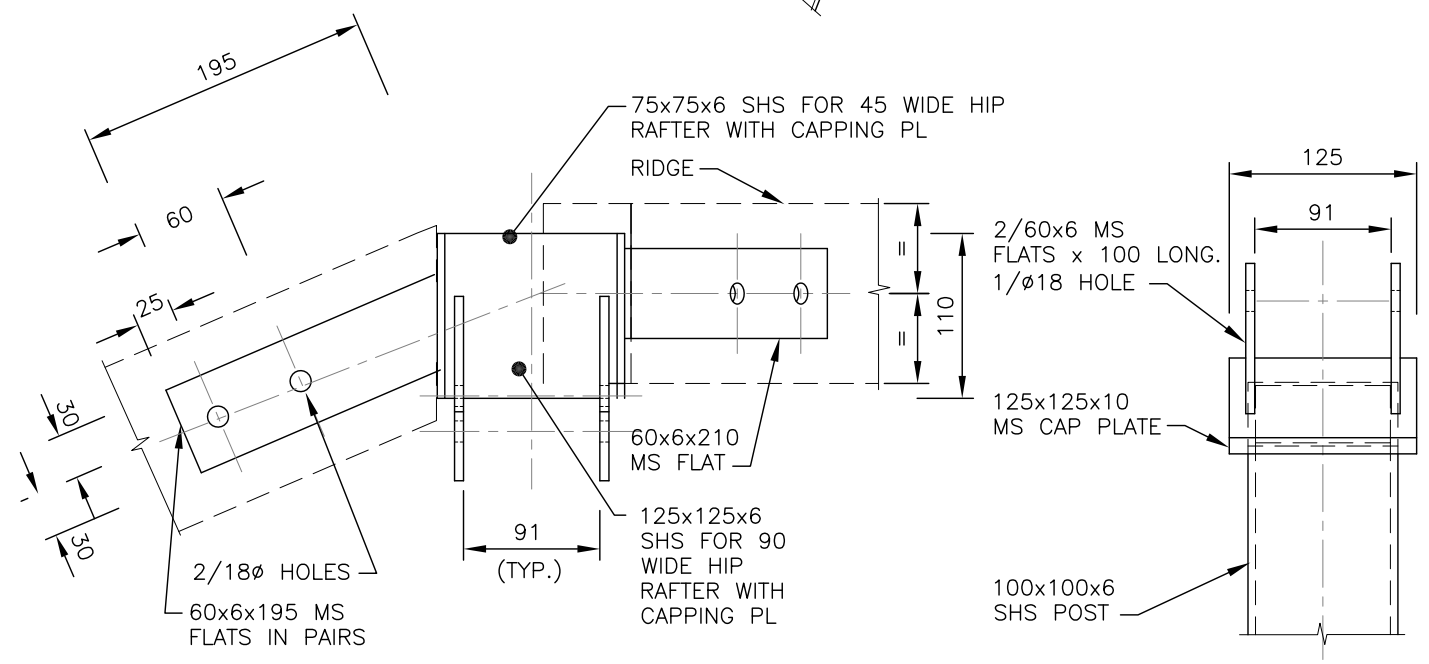
1. THIS DRAWING TO BE READ IN CONJUNCTION WITH UMS 756-1, 756-2, UMS 757 UMS 758-1 AND UMS 758-2.
2. REFER UMS 756-1, 756-2 FOR FULL NOTES AND SPECIFICATIONS.
3. ALL DIMENSIONS IN MILLIMETRES (U.N.O.).



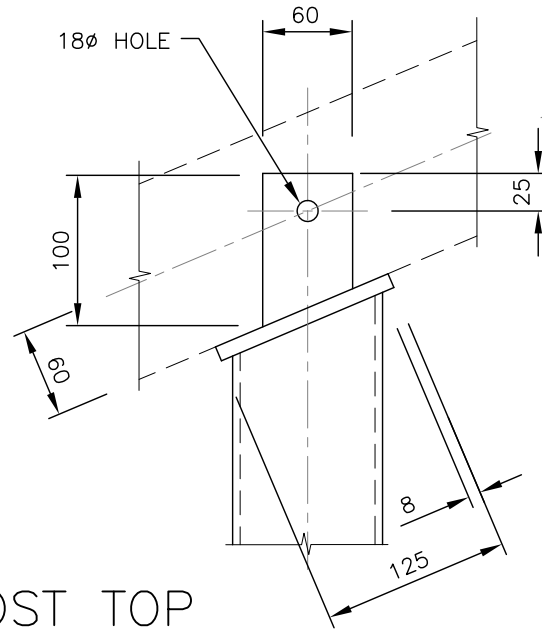
**HIP RAFTER TO PURLIN CONNECTION PLATE**  
FOR MARINE ENVIRONMENT



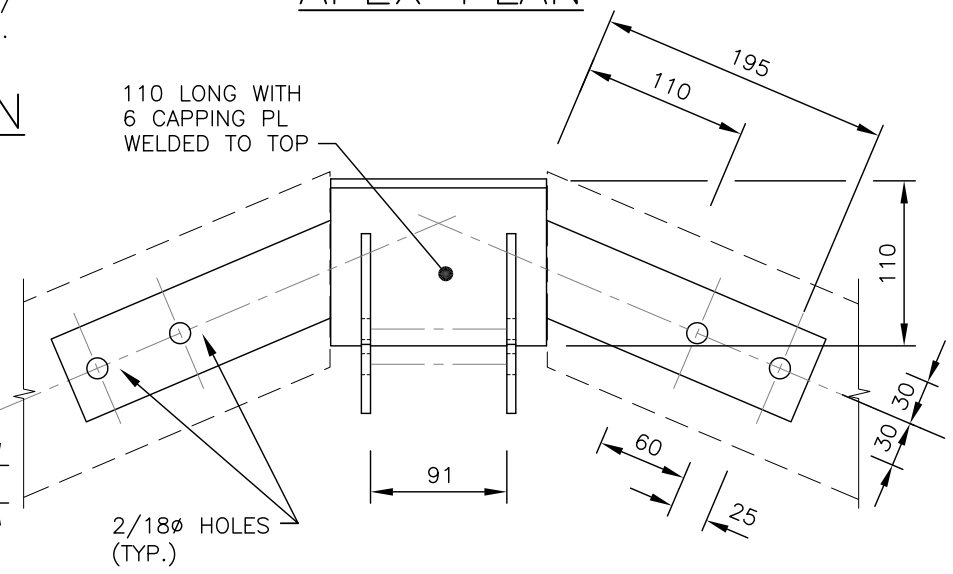
**APEX PLAN**



**APEX CONNECTOR TYPE 2**



**POST TOP CONNECTION**



**APEX CONNECTOR TYPE 1**

STRUCTURAL DESIGN REVIEWED AND CERTIFIED FOR ISSUE  
 NAME: LENITA MENDIS RPEQ: 8950  
 SIGNATURE: ON ORIGINAL DATE: 14/09/2011

B	REVISED NEW ISSUE	ZB 06/11	LM 06/11	BB 09/11
A	ORIGINAL ISSUE	Aug '05	Nov '05	Mar '06
ISSUE	AMENDMENT	DRAWN DATE	CHK'D DATE	APPR'D DATE

DESIGN AUTHORISED FOR ISSUE P COTTON SIGNATURE ON ORIGINAL DATED 21/03/06 MANAGER CITY ASSETS, R.P.E.Q: 2546	DESIGN	L.M.	DATE	Aug. '11
DESIGN APPROVED L PLANT SIGNATURE ON ORIGINAL DATED 12/05 PRINCIPAL PROGRAM OFFICER PARKS	DRAWN	Z.B.	DATE	Aug. '11
	CHECKED	V.F.	DATE	Aug. '11
	DRAWING FILENAME	UMS 757.dwg		
	ASSOCIATED PLANS	UMS 760/1, 760/2, 756, 758/1, 758/2		



**BRISBANE CITY COUNCIL STANDARD DRAWING**

PARK SHELTERS CONNECTION DETAILS  
4x4 AND OPTIONAL SIZES

SCALE AS SHOWN  
DWG No. UMS 757  
ORIGINAL SIZE A3 REVISION B