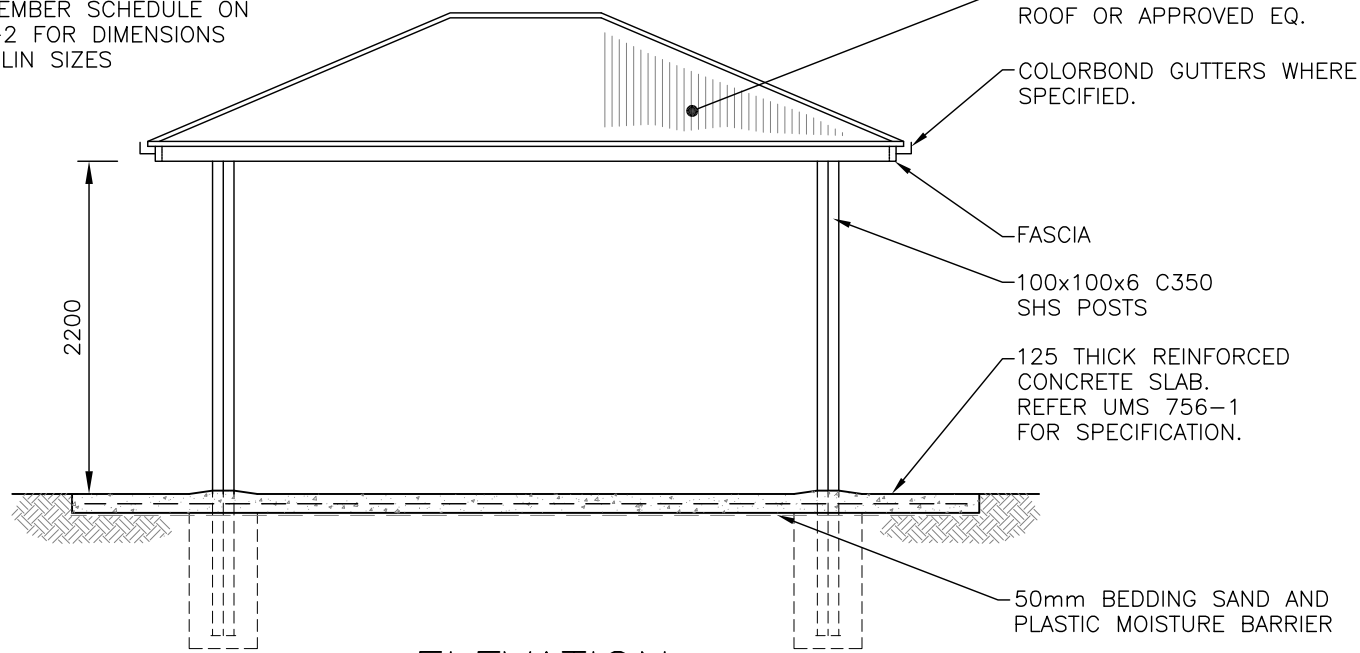
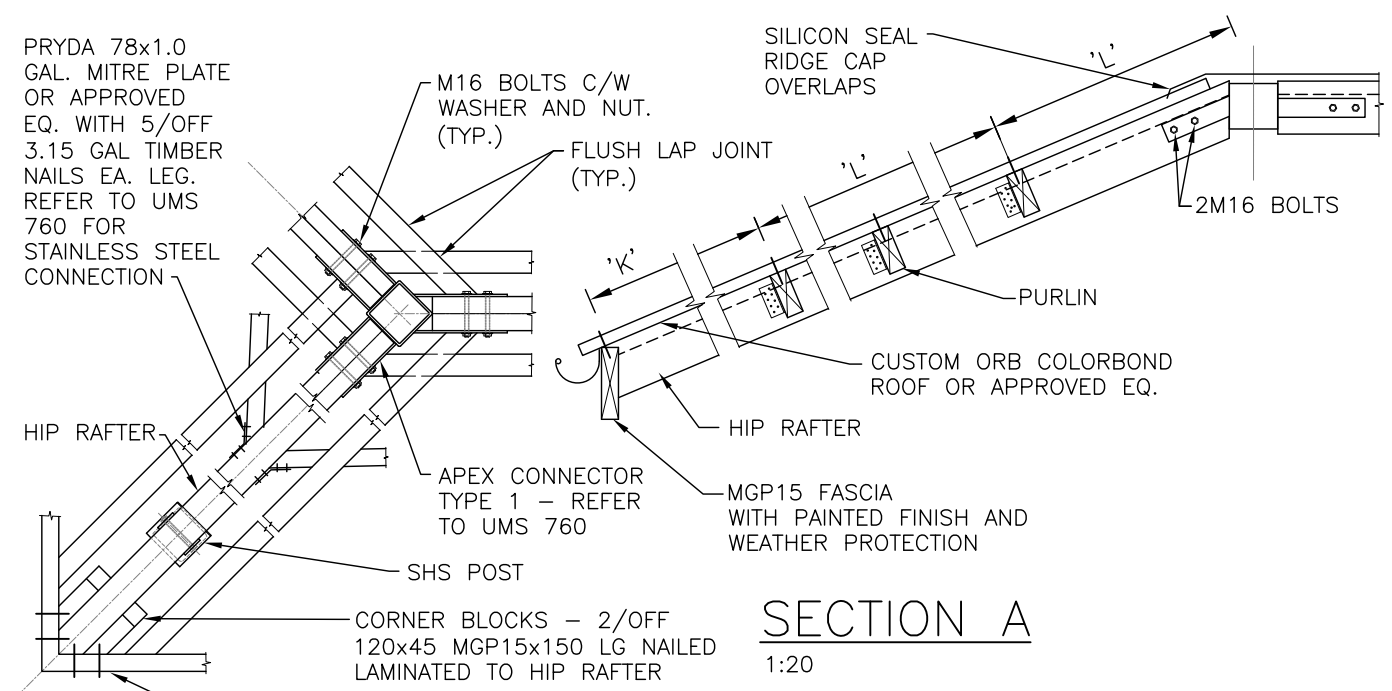


PLAN
1:50

REFER MEMBER SCHEDULE ON DWG756-2 FOR DIMENSIONS AND PURLIN SIZES



ELEVATION
1:50



SECTION A
1:20

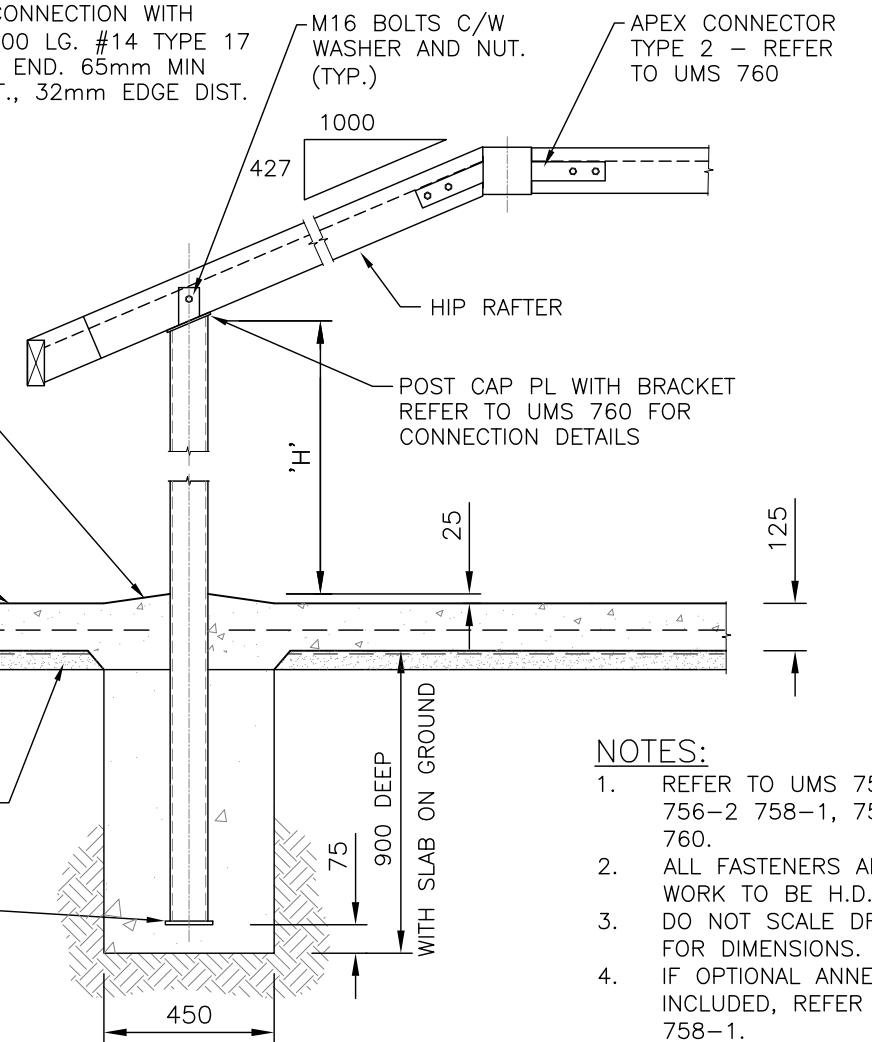
DETAIL PLAN
1:20

PROVIDE DOME SURFACE TO CONCRETE TO SHED WATER AWAY FROM POST. (TYP.)

125 THICK REINFORCED CONCRETE SLAB. REFER UMS 756-1 CONCRETE REINFORCING NOTES.

50mm BEDDING SAND AND PLASTIC MOISTURE BARRIER

125x125x10 COL. BASE PL. ALLOWABLE BEARING CAPACITY OF SOIL 100 kPa. IF SITE CONDITION IS DIFFERENT, CONSULT A STRUCTURAL ENGINEER



SECTION B
1:20

NOTES:

1. REFER TO UMS 756-1, 756-2 758-1, 758-2 AND 760.
2. ALL FASTENERS AND METAL WORK TO BE H.D.G.
3. DO NOT SCALE DRAWING FOR DIMENSIONS.
4. IF OPTIONAL ANNEX INCLUDED, REFER TO UMS 758-1.

STRUCTURAL DESIGN REVIEWED AND CERTIFIED FOR ISSUE

NAME: LENITA MENDIS RPEQ: 8950
SIGNATURE: ON ORIGINAL DATE: 14/09/2011

B	REVISED NEW ISSUE	ZB 06/11	LM 06/11	BB 09/11
A	ORIGINAL ISSUE	Aug '05	Nov '05	Mar '06
ISSUE	AMENDMENT	DRAWN DATE	CHK'D DATE	APPR'D DATE

DESIGN AUTHORISED FOR ISSUE			
P COTTON SIGNATURE ON ORIGINAL DATED 21/03/06			
MANAGER CITY ASSETS, R.P.E.Q: 2546			
DESIGN APPROVED			
L PLANT SIGNATURE ON ORIGINAL DATED 12/05			
PRINCIPAL PROGRAM OFFICER PARKS			
DESIGN	L.M.	DATE	Aug '11
DRAWN	Z.B.	DATE	Aug '11
CHECKED	V.F.	DATE	Aug '11
DRAWING FILENAME	UMS 758/1.dwg		
ASSOCIATED PLANS	UMS 760/1, 760/2, 756, 758/2, 757		



BRISBANE CITY COUNCIL STANDARD DRAWING

PARK SHELTERS
OPTIONAL SIZES
FRAMING PLAN & DETAILS

SCALE	AS SHOWN
DWG No.	UMS 758/1
ORIGINAL SIZE	A3
REVISION	B