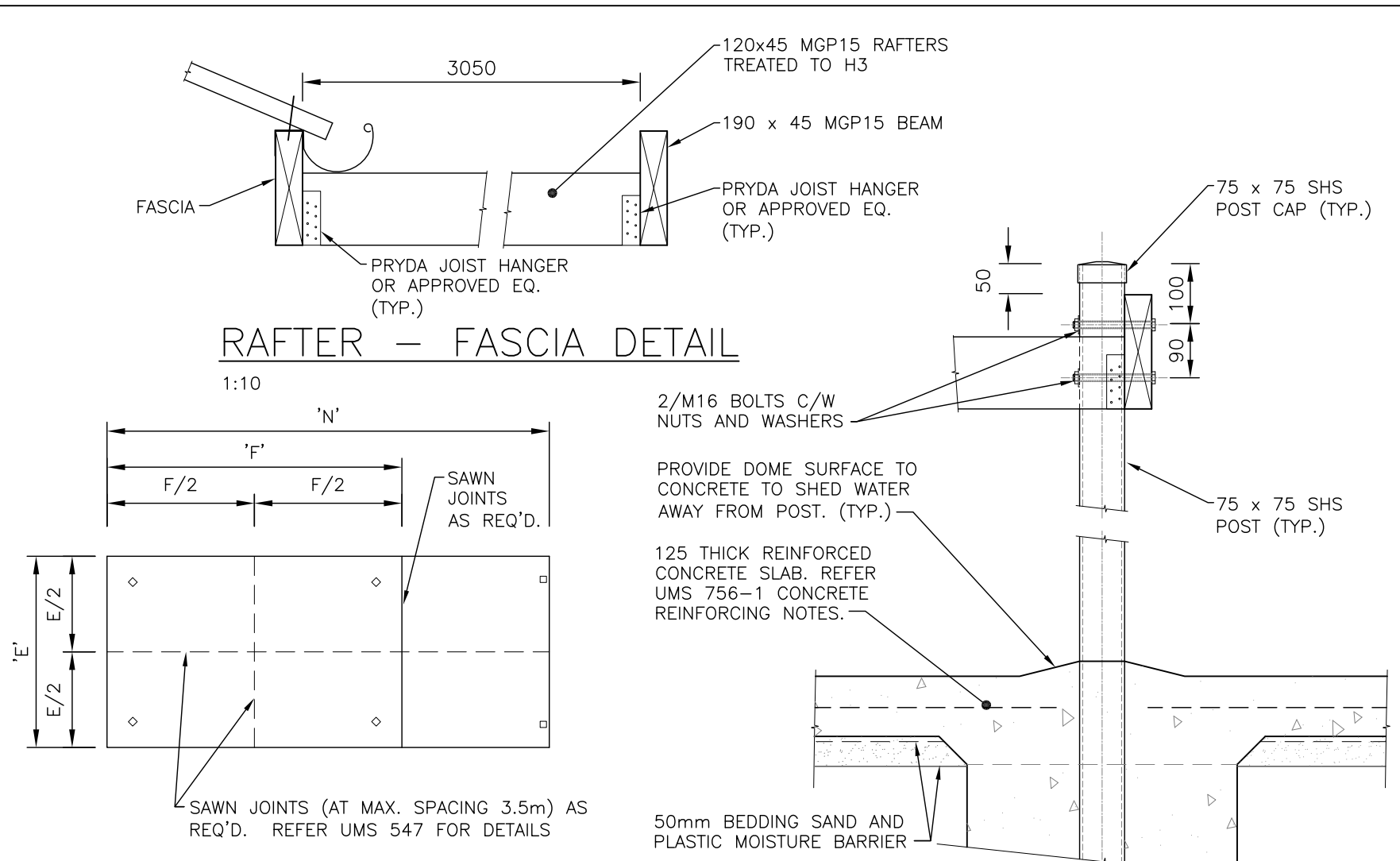
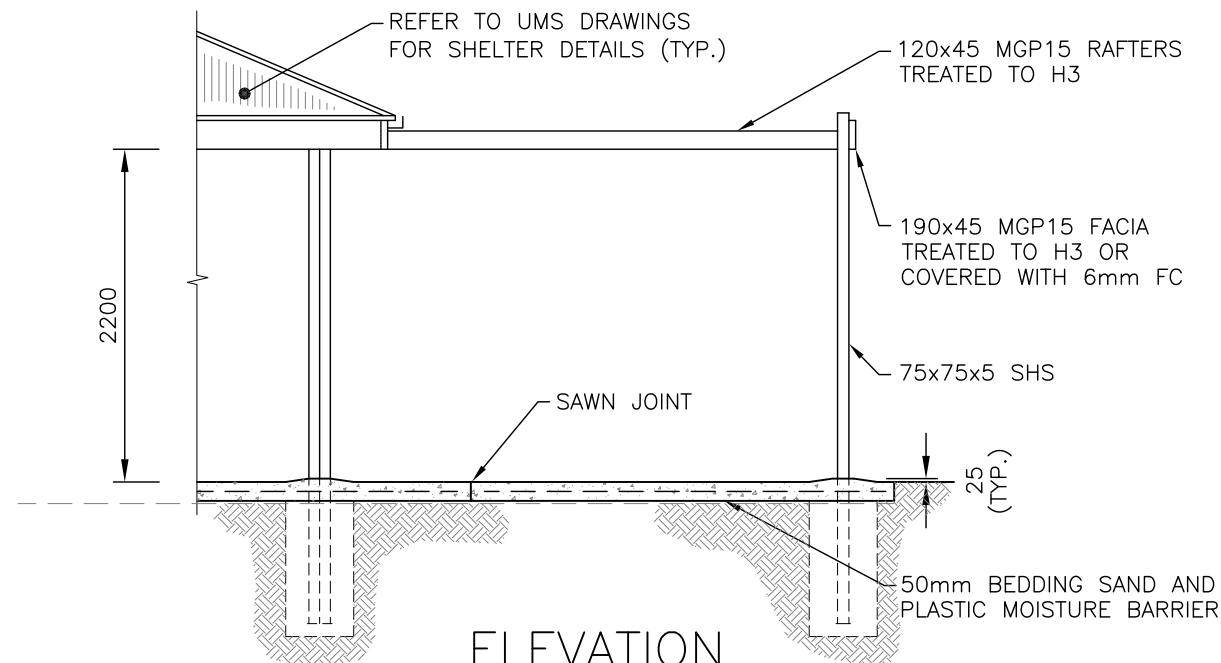


PLAN
1:50

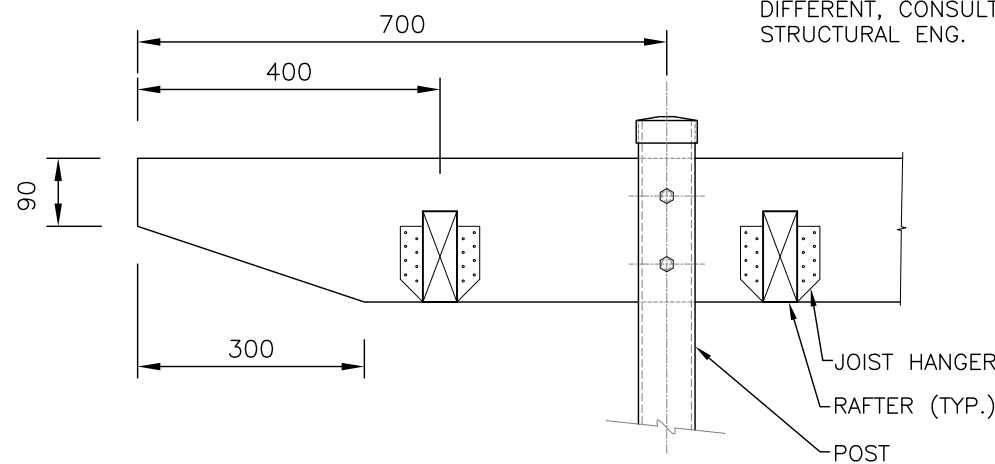


SLAB LAYOUT DIAGRAM
NO SCALE

POST - FOOTING DETAIL
1:10 (SECTION A-A)



ELEVATION
1:50



POST - RAFTER DETAIL
1:10 (SECTION B-B)

- NOTES:**
- REFER TO UMS 756-1, 756-2, 757, 758-1 AND 760 FOR PARK SHELTERS. (UMS 756 FOR NOTES.)
 - ALL FASTENERS AND METAL WORK TO BE H.D.G.
 - DO NOT SCALE DRAWING FOR DIMENSIONS.

STRUCTURAL DESIGN REVIEWED AND CERTIFIED FOR ISSUE
NAME: LENITA MENDIS RPEQ: 8950
SIGNATURE: ON ORIGINAL DATE: 14/09/2011

ISSUE	AMENDMENT	DRAWN DATE	CHK'D DATE	APPR'D DATE
A	ORIGINAL ISSUE	Sept '11	Sept '11	Sept '11

DESIGN AUTHORISED FOR ISSUE INGA CONDRIĆ SIGNATURE ON ORIGINAL - JUNE 2012 for ASSET ENGINEERING MANAGER STRATEGIC ASSET MANAGEMENT PLANNING DESIGN APPROVED ORIGINAL SIGNED 20/9/11 SENIOR COORDINATOR PARKS				DESIGN	L.M.	DATE	Aug. '11
				DRAWN	Z.B.	DATE	Aug. '11
				CHECKED	V.F.	DATE	Aug. '11
				DRAWING FILENAME	UMS 758/2.dwg		
				ASSOCIATED PLANS	UMS 760/1, 760/2, 756, 758/1, 757		



BRISBANE CITY COUNCIL STANDARD DRAWING

PARK SHELTERS
OPTIONAL ANNEX
PLAN & DETAILS

SCALE	AS SHOWN
DWG No.	UMS 758/2
ORIGINAL SIZE	A3
REVISION	A