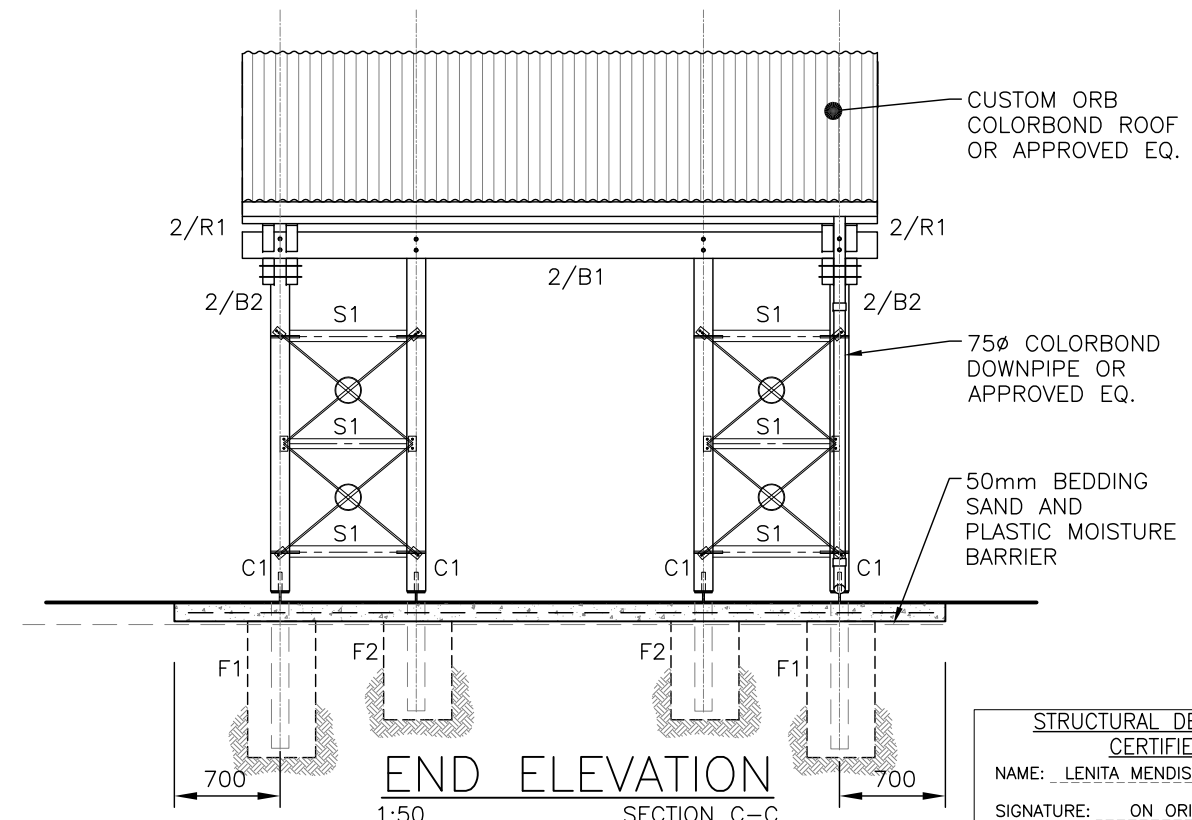
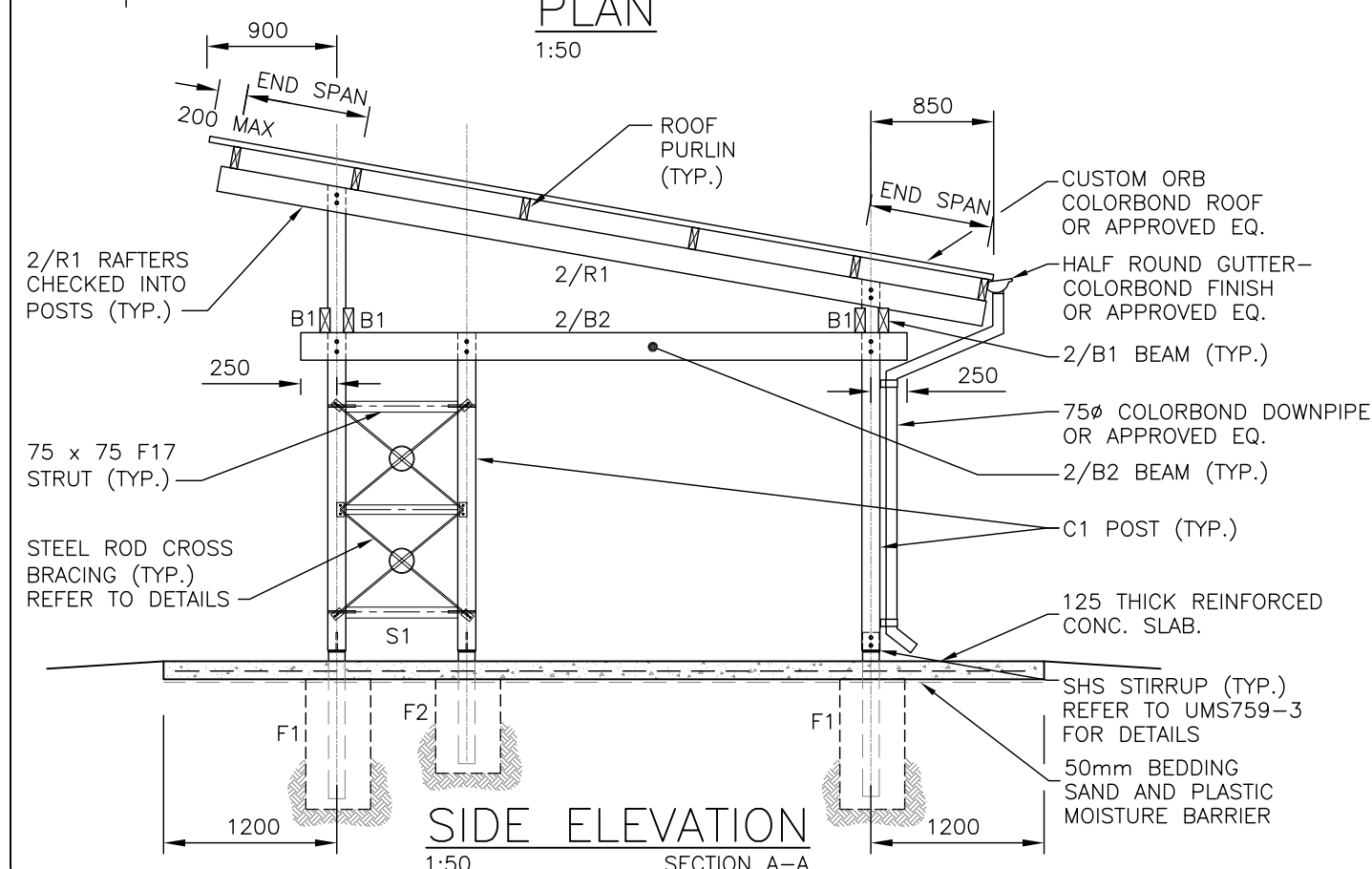
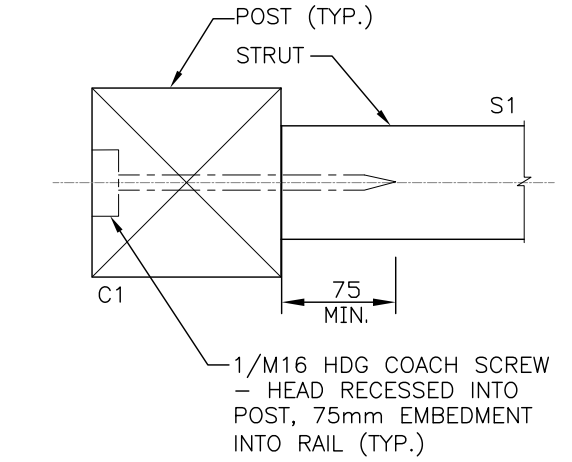


- NOTES:**
- ALLOWABLE BEARING CAPACITY OF SOIL 100 kPa MIN. IF SITE CONDITION IS DIFFERENT, CONSULT A STRUCTURAL ENGINEER.
  - THIS DRAWING IS TO BE READ IN CONJUNCTION WITH UMS 759-1, 759-2 AND 759-4



STRUCTURAL DESIGN REVIEWED AND CERTIFIED FOR ISSUE  
 NAME: LENITA MENDIS RPEQ: 8950  
 SIGNATURE: ON ORIGINAL DATE: 14/09/2011

ISSUE	AMENDMENT	DRAWN DATE	CHK'D DATE	APPR'D DATE
A	ORIGINAL ISSUE	Sept '11	Sept '11	Sept '11

DESIGN	L.M.	DATE	Aug. '11
DRAWN	Z.B.	DATE	Aug. '11
CHECKED	V.F.	DATE	Aug. '11
DRAWING FILENAME	UMS 759/3.dwg		
ASSOCIATED PLANS	UMS 759/1, 759/2, 759/4		

DESIGN AUTHORISED FOR ISSUE  
 INGA CONDRIK SIGNATURE ON ORIGINAL - JUNE 2012  
 for ASSET ENGINEERING MANAGER  
 STRATEGIC ASSET MANAGEMENT PLANNING  
 DESIGN APPROVED  
 ORIGINAL SIGNED 20/9/11  
 SENIOR COORDINATOR PARKS



**BRISBANE CITY COUNCIL STANDARD DRAWING**

PARK SHELTERS  
 SKILLION ROOF TYPE  
 PLAN, SLAB & FOOTING

SCALE: AS SHOWN  
 DWG No. UMS 759/3  
 ORIGINAL SIZE: A3 REVISION: A