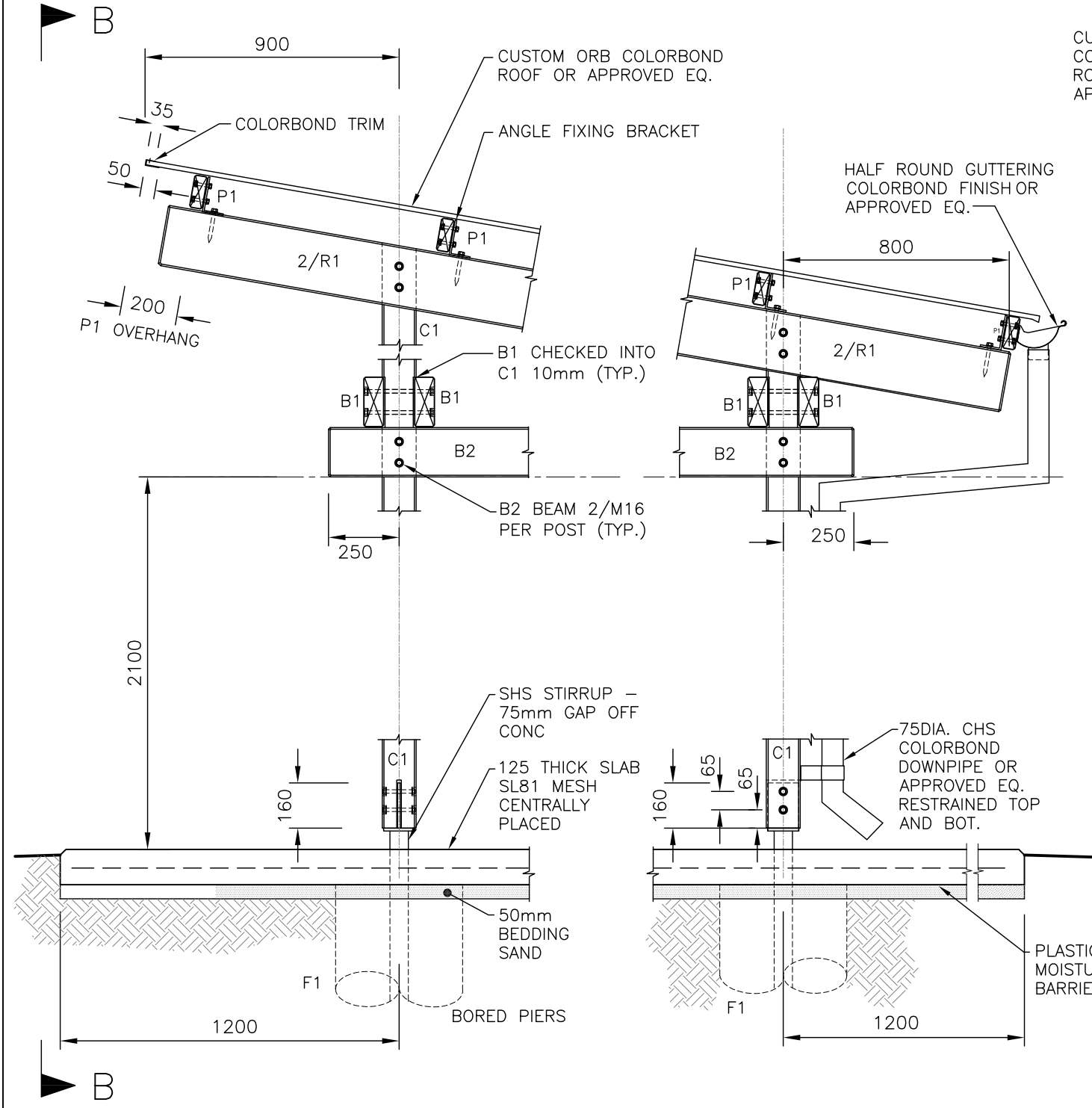
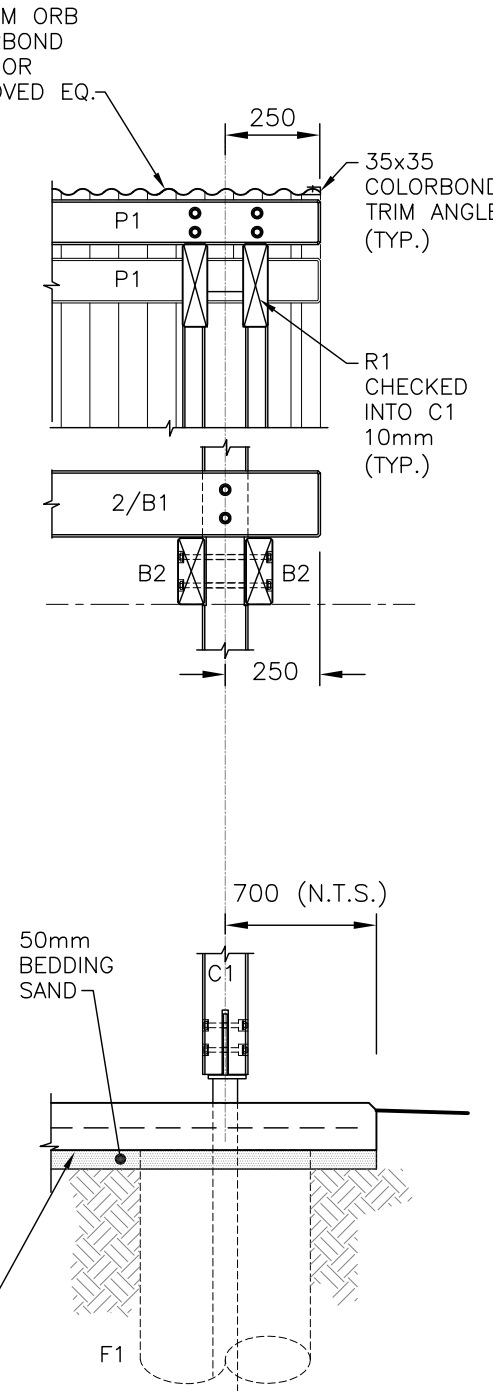


NOTES
 1. THIS DRAWING IS TO BE READ IN CONJUNCTION WITH UMS 759-1 AND 759-2 AND 759-3



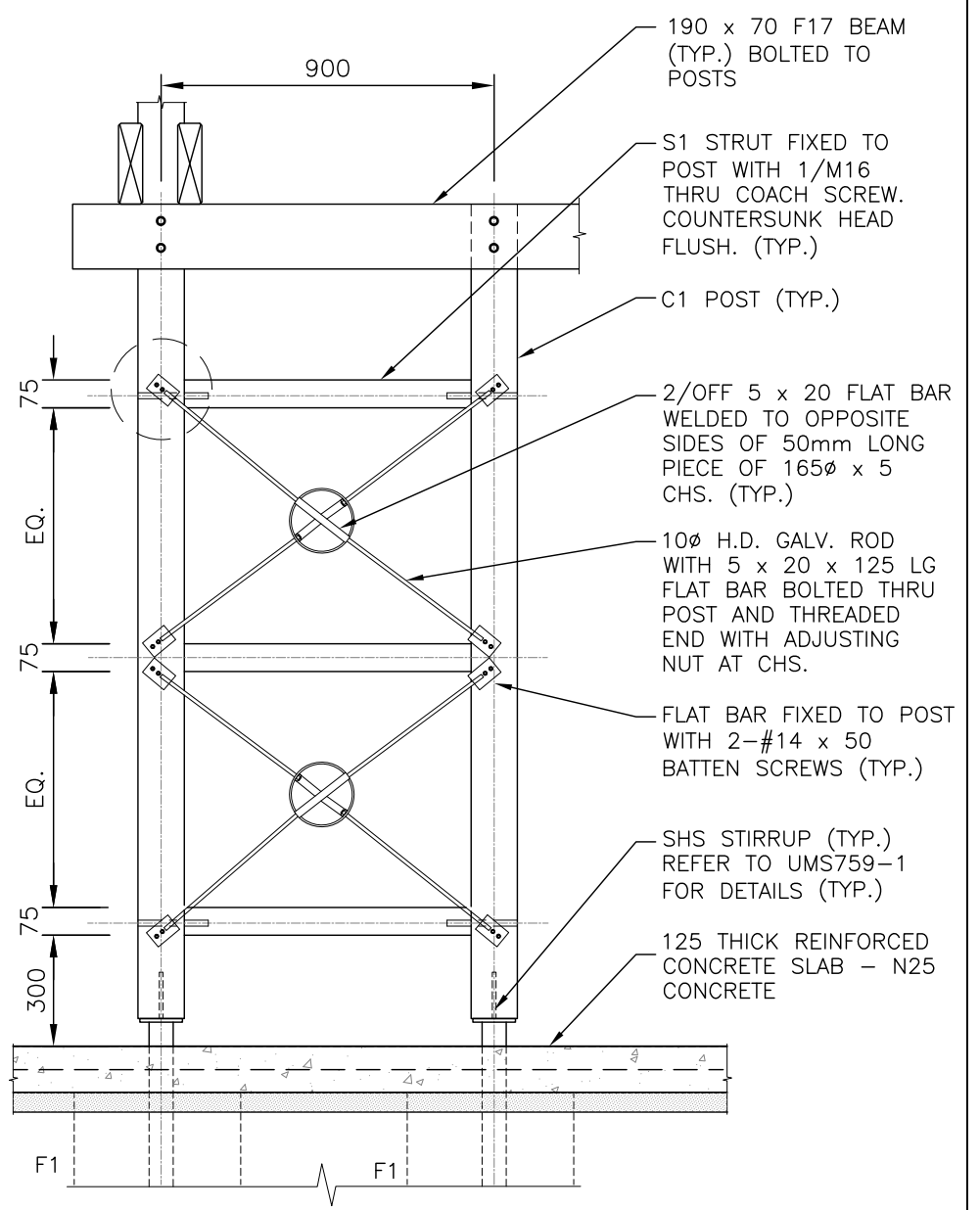
POST-BEAM-RAFTER CONNECTION DETAILS

1:20



SECTION B-B

1:20



BRACING PANEL - STRUT DETAILS

1:20

STRUCTURAL DESIGN REVIEWED AND CERTIFIED FOR ISSUE
 NAME: LENITA MENDIS RPEQ: 8950
 SIGNATURE: ON ORIGINAL DATE: 14/09/2011

ISSUE	AMENDMENT	DRAWN DATE	CHK'D DATE	APPR'D DATE
A	ORIGINAL ISSUE	Sept '11	Sept '11	Sept '11

INGA CONDRIĆ SIGNATURE ON ORIGINAL - JUNE 2012 for ASSET ENGINEERING MANAGER STRATEGIC ASSET MANAGEMENT PLANNING DESIGN APPROVED ORIGINAL SIGNED 20/9/11 SENIOR COORDINATOR PARKS	DESIGN	L.M.	DATE	Aug. '11
	DRAWN	Z.B.	DATE	Aug. '11
	CHECKED	V.F.	DATE	Aug. '11
	DRAWING FILENAME	UMS 759/4.dwg		
	ASSOCIATED PLANS	UMS 759/1, 759/2, 759/3		



BRISBANE CITY COUNCIL STANDARD DRAWING

PARK SHELTERS SKILLION
 ROOF TYPE FRAMING
 & CONNECTION DETAILS

SCALE: AS SHOWN
 DWG No. UMS 759/4
 ORIGINAL SIZE: A3 REVISION: A