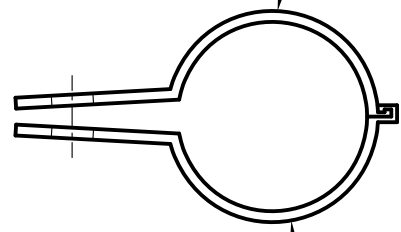
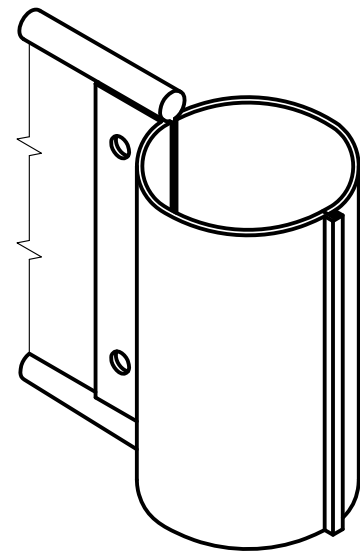


ALUMINIUM FIXING BRACKET
APPLETON TYPE BR-62-A-1
OR APPROVED EQUIVALENT

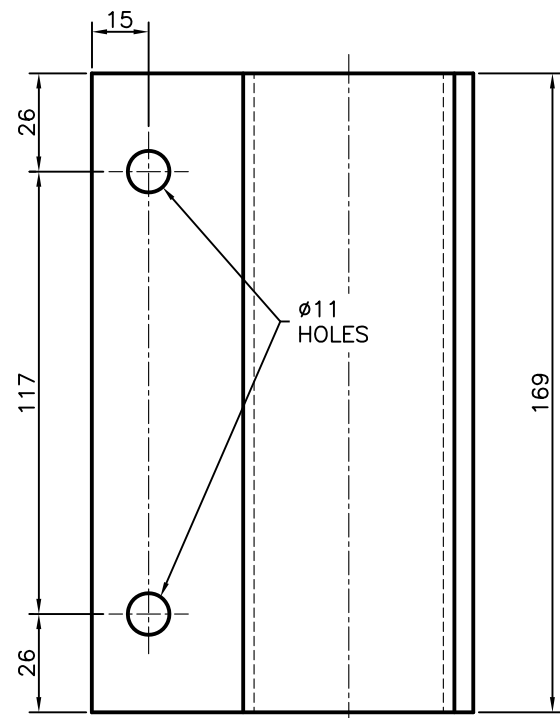


ALUMINIUM FIXING BRACKET
APPLETON TYPE BR-62-A-2
OR APPROVED EQUIVALENT

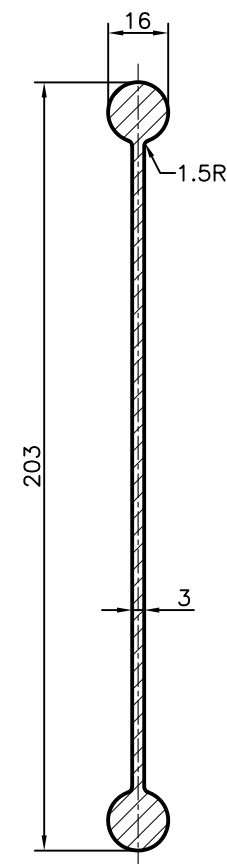
**BRACKET
PLAN VIEW**



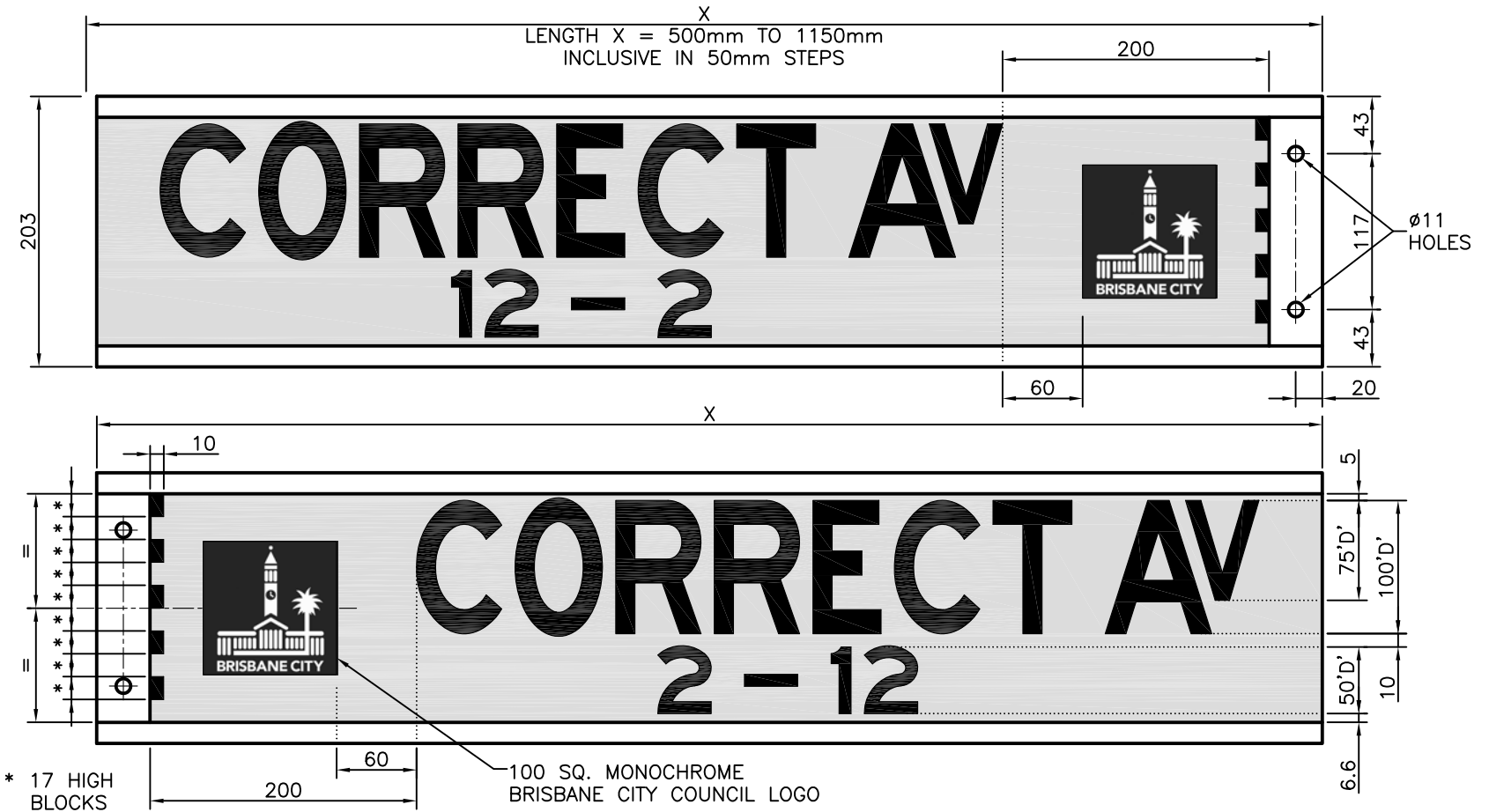
**GENERAL ASSEMBLY
SIDE MOUNTED STREET
NAME SIGN**



**BRACKET
ELEVATION**



**SIGN PLATE
SECTION**



**GENERAL STREET NAME PLATE
(SIGN CODE G5-2)**

100 WIDE COLOUR BRISBANE CITY COUNCIL LOGO. PROVIDE 10 WIDE WHITE BOUNDARY AROUND LOGO.



**CBD STREET NAME PLATE
(SIGN CODE G5-2)**

CLEAT DIMENSIONS AS PER GENERAL STREET SIGN DETAIL

NOTES:

- SIGN BRACKET TO BE ALUMINIUM ALLOY TYPE 6063, TEMPER T5 OR SIMILAR.
- SIGN BLADE TO BE ALUMINIUM ALLOY TYPE 6063, TEMPER T5 TO AS1734. ALTERNATIVE MATERIALS MAY BE USED UPON APPROVAL FROM COUNCIL.
- WHERE BLADE LENGTH MAY EXCEED 1150mm, SERIES 'C' LETTERING MAY BE USED TO REDUCE CONGESTION ON THE SIGN.
- ALL SIGN LETTERING TO AS1744.
- REFER TO BRISBANE CITY COUNCIL REFERENCE SPECIFICATION FOR CIVIL ENGINEERING WORKS S154 FOR REFLECTIVE SHEETING REQUIREMENTS.
- HOUSE NO. RANGE, IF SIGN ON ODD SIDE OF ROAD: ODD NUMBERS ONLY. IF SIGN ON EVEN SIDE OF ROAD: EVEN NUMBERS ONLY.
- ALL DIMENSIONS IN MILLIMETRES (U.N.O.).

LEGEND:

- BLACK LEGEND
- WHITE LEGEND
- WHITE CLASS 1W RETROREFLECTIVE BACKGROUND
- BLUE CLASS 1W RETROREFLECTIVE BACKGROUND
- CBD STREET SIGN - YELLOW CLEAT SECTION COLOUR: PMS YELLOW 116

ISSUE	AMENDMENT	DRAWN DATE	CHK'D DATE	APPR'D DATE
C	Sign Lettering Style Corrected, Reflect Sheet Req. Mod.	DL 11/11	IC 4/4/12	GB 31/5/12
B	CBD Sign & Council Logo Add, Dwg Name Changed, Notes Mod.	DL 03/10	IC 06/10	PC 06/10
A	ORIGINAL ISSUE	Nov '04	Nov '05	Mar '06

DESIGN AUTHORIZED FOR ISSUE P COTTON SIGNATURE ON ORIGINAL DATED 21/03/06	DESIGN	BCC	DATE	Nov '04
MANAGER CITY ASSETS, R.P.E.O. 2546	DRAWN	CA (DJL)	DATE	Nov '04
DESIGN APPROVED B HANSEN SIGNATURE ON ORIGINAL DATED 13/03/06	CHECKED	CA (GMC)	DATE	Nov '05
PRINCIPAL ENGINEER STRATEGIC ASSET MANAGEMENT	DRAWING FILENAME	UMS 823.dwg		
	ASSOCIATED PLANS	SUPERSEDES TOC-206		



BRISBANE CITY COUNCIL STANDARD DRAWING

**STREET NAME PLATE SETOUT AND BRACKET
(SIGN CODE G5-2)**

SCALE: **NOT TO SCALE**

DWG No. **UMS 823**

ORIGINAL SIZE: **A3** REVISION: **C**