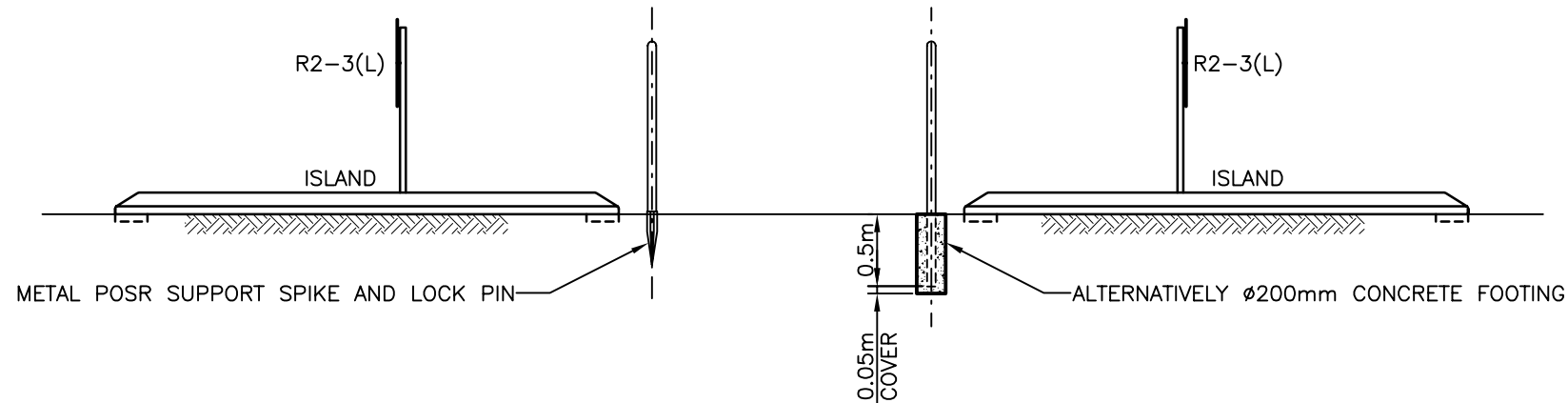
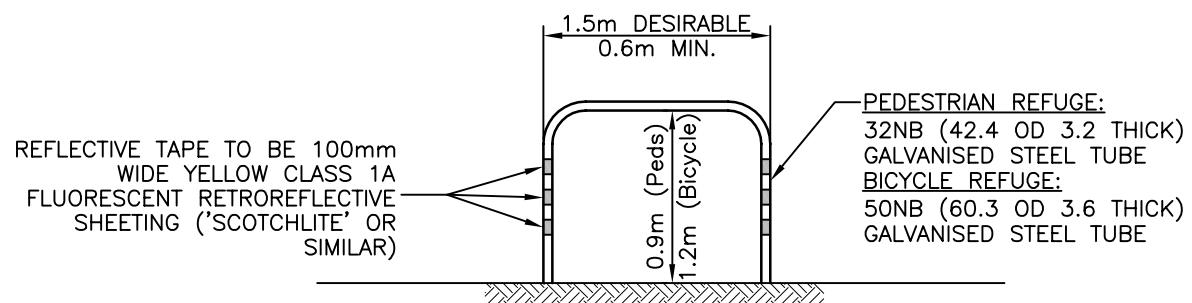


PLAN

(FOR DESIGN NOTES, CONSTRUCTION NOTES AND LEGEND REFER TO UMS 901)

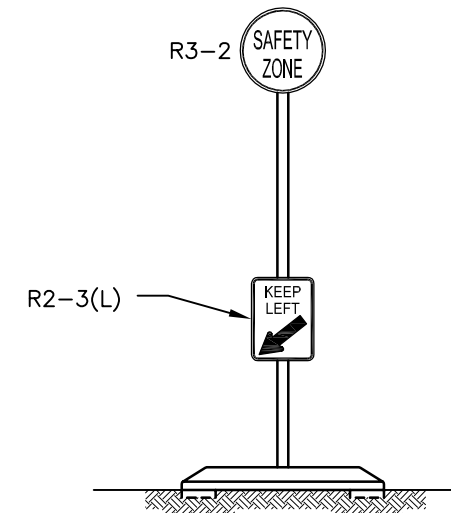


SECTION



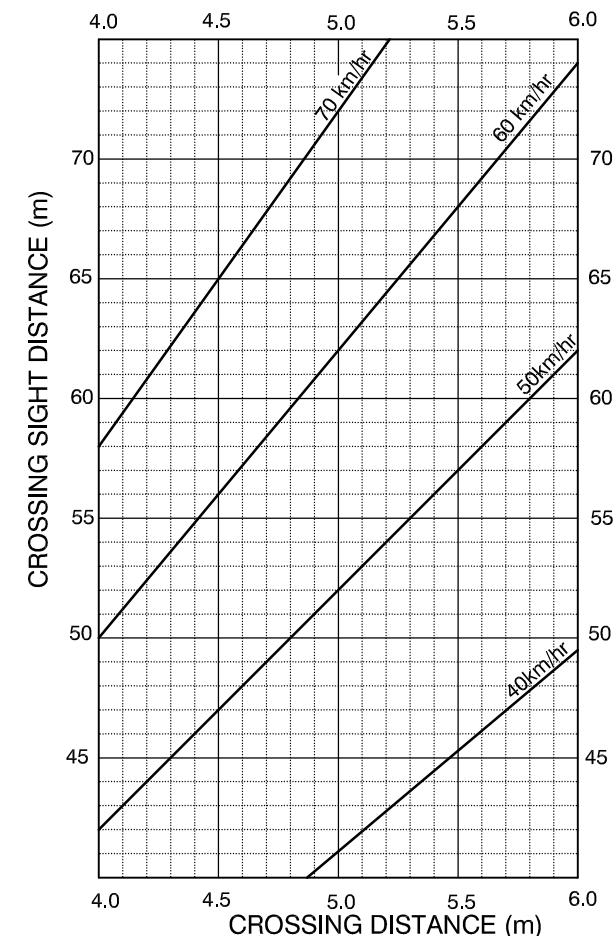
HANDRAILS TO BE GALVANISED TUBE ROLLFORMED FROM ONE PIECE OF PIPE IN ACCORDANCE WITH AS 1163

ELEVATION



ALTERNATIVE ISLAND SIGN

SPECIAL USE ONLY – REFER TO M.U.T.C.D – PART 10, CLAUSE 7.4



CROSSING SIGHT DISTANCE (CSD) FOR PEDESTRIAN REFUGE

Source : AUSTRROADS, Part 13, Clause 3.3.4

ISSUE	AMENDMENT	DRAWN DATE	CHK'D DATE	APPR'D DATE
B	NOTE ADDED UNDER PLAN	May '07	May '07	May '07
A	ORIGINAL ISSUE	May '06	June '06	Aug '06

DESIGN AUTHORIZED FOR ISSUE	DESIGN	STANDARDS WORKING GROUP	DATE	May '06
P COTTON SIGNATURE ON ORIGINAL DATED 06/09/06	DRAWN	CITY DESIGN	DATE	May '06
MANAGER CITY ASSETS, R.P.E.Q. 2 5 4 6	CHECKED	D Maher	DATE	June '06
DESIGN APPROVED	DRAWING FILENAME	UMS 924		
V NASH SIGNATURE ON ORIGINAL	ASSOCIATED PLANS			
SENIOR PROGRAM OFFICER - ROAD NETWORK				



BRISBANE CITY COUNCIL - CITY POLICY & STRATEGY DIVISION

ROAD NETWORK GUIDELINES
PEDESTRIAN REFUGE
 SUPPLEMENTARY DETAILS

SCALE	NOT TO SCALE
DWG No.	UMS 924
ORIGINAL SIZE	A3
REVISION	B