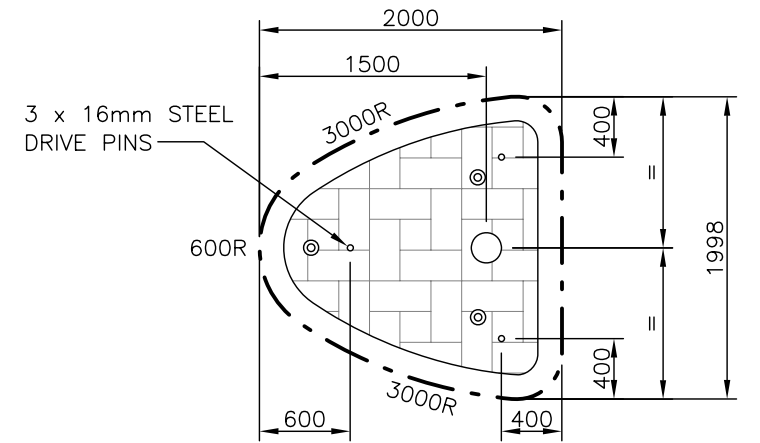


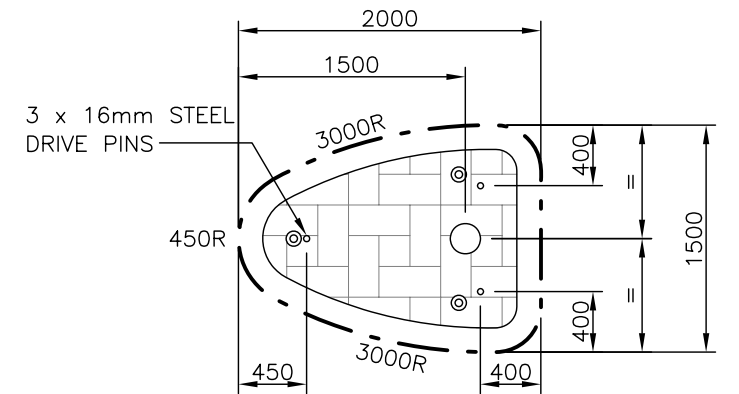
**PC-1**

**PC-2**

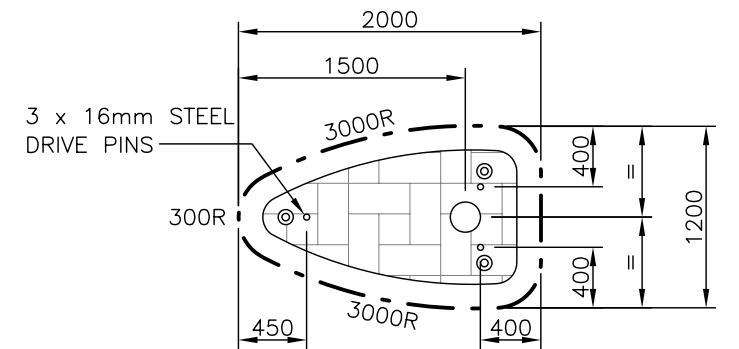
(MIRRORED VERSION PC-12)



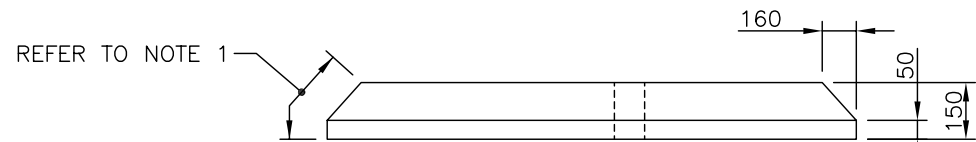
**PC-3**



**PC-4**



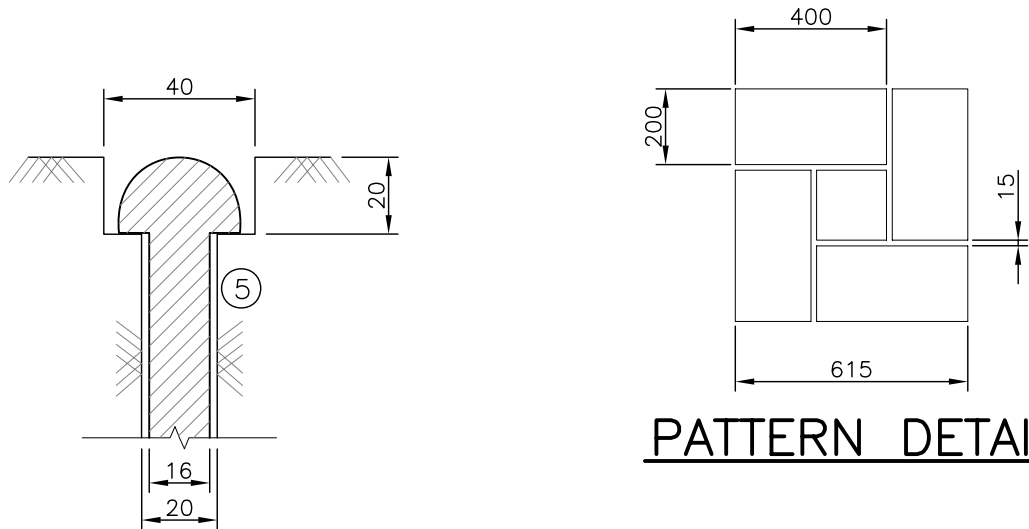
**PC-5**



**TYPICAL ELEVATION**

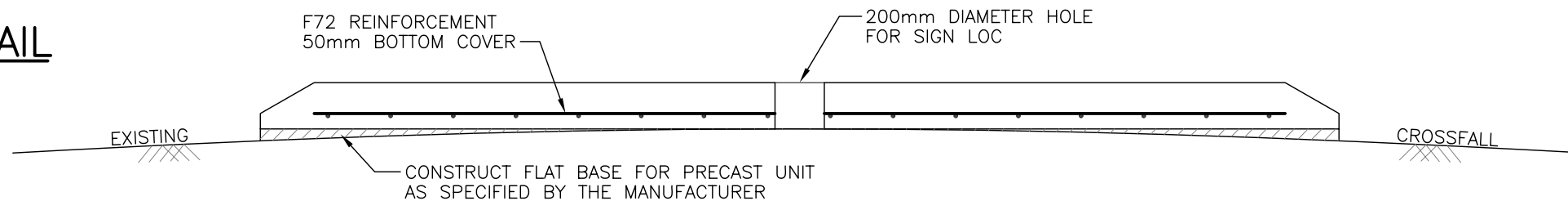
**NOTES**

1. ALL FACE OF KERBS ARE TO BE PAINTED WITH WHITE RETROREFLECTIVE PAINT OR SIMILAR.
2. ISLAND SURFACE SHALL BE STAMPED "FLEMISH" PATTERN WITH BCC TERRACOTTA COLOUR AND BCC TERRACOTTA RELEASE AGENT.
3. ALL PRECAST UNITS CONCRETE STRENGTH TO BE 32MPa.
4. ALL DIMENSIONS IN mm AND RADII 300mm UNLESS NOTED OTHERWISE.
5. DRIVE PINS ARE TO BE 16mm DIAMETER MILD STEEL (4.6) 260mm LONG GALVANISED CUPHEAD AND COUNTERSUNK.
6. © DENOTES SWING LIFT ANCHORS.
7. FOR DESIGN NOTES, CONSTRUCTION NOTES AND LEGEND REFER TO UMS 901.



**PATTERN DETAIL**

**DRIVE PIN DETAIL**



**TYPICAL SECTION**

ISSUE	AMENDMENT	DRAWN DATE	CHK'D DATE	APPR'D DATE
B	NOTE 7 ADDED	May '07	May '07	May '07
A	ORIGINAL ISSUE	May '06	June '06	Aug '06

DESIGN AUTHORIZED FOR ISSUE	DESIGN	STANDARDS WORK	DATE
P COTTON SIGNATURE ON ORIGINAL DATED 06/09/06	CITY DESIGN	CITY DESIGN	May '06
MANAGER CITY ASSETS, R.P.E.O. 2, 5, 4, 6	CHECKED	D Maher	DATE June '06
DESIGN APPROVED	DRAWING FILENAME	UMS 981	
V NASH SIGNATURE ON ORIGINAL	ASSOCIATED PLANS	Supersedes UAPC-1	
SENIOR PROGRAM OFFICER - ROAD NETWORK			



**BRISBANE CITY COUNCIL - CITY POLICY & STRATEGY DIVISION**

ROAD NETWORK GUIDELINES  
 PRECAST TRAFFIC ISLANDS  
 CODES AND DETAILS

SCALE	NOT TO SCALE
DWG No.	UMS 981
ORIGINAL SIZE	A3
REVISION	B