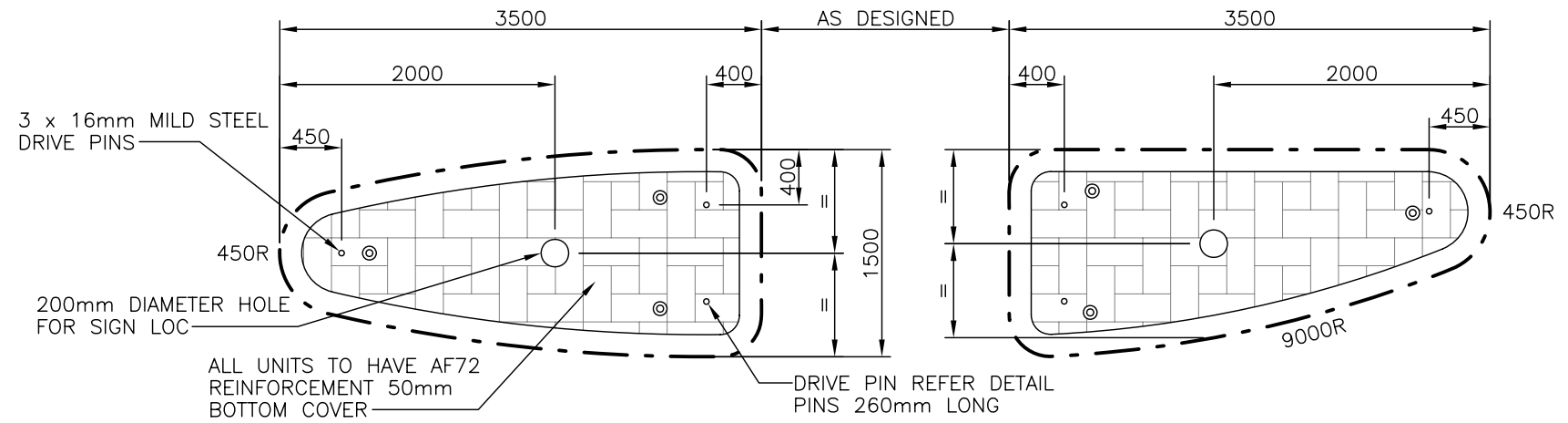


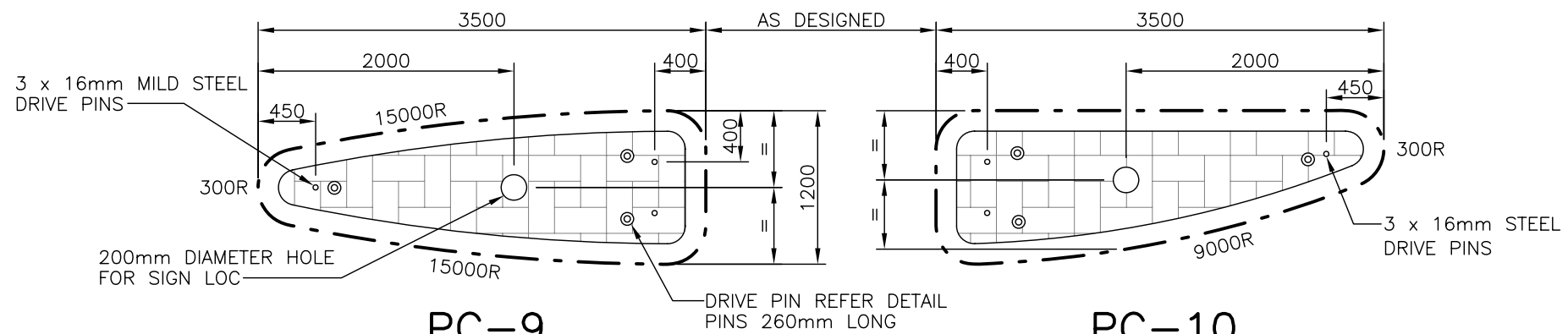
**PC-6**



**PC-7**

**PC-8**

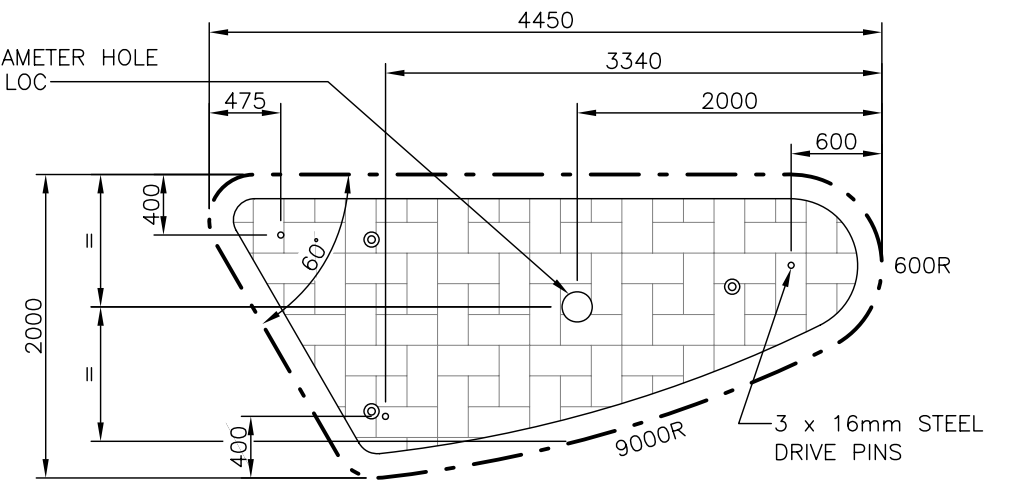
(MIRRORED VERSION PC-13)



**PC-9**

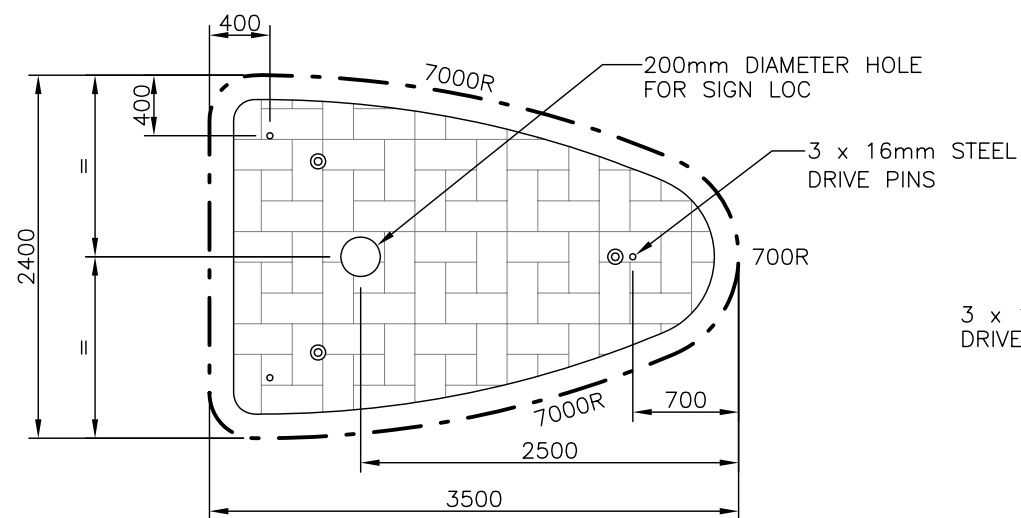
**PC-10**

(MIRRORED VERSION PC-14)

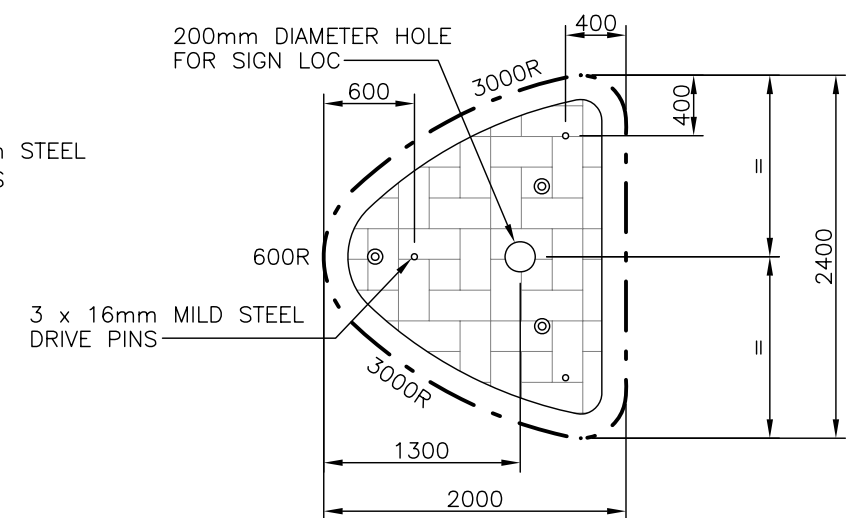


**PC-11**

(MIRRORED VERSION PC-15)



**PC-16**



**PC-17**

**NOTES**

1. ALL FACES OF KERBS ARE TO BE PAINTED WITH WHITE RETROREFLECTIVE PAINT OR SIMILAR.
2. SURFACE SHOWN AS HATCHED ON THE PLANS SHALL BE STAMPED "FLEMISH" PATTERN WITH BCC TERRACOTTA COLOUR AND BCC TERRACOTTA RELEASE AGENT.
3. ALL PRECAST UNITS CONCRETE STRENGTH TO BE 32MPa.
4. ALL DIMENSIONS IN mm AND RADII 300mm UNLESS NOTED OTHERWISE.
5. DRIVE PINS ARE TO BE 16mm DIAMETER MILD STEEL (4.6) 260mm LONG GALVANISED CUPHEAD AND COUNTERSUNK.
6. © DENOTES SWING LIFT ANCHORS.
7. REFER TO UMS 982 FOR TYPICAL ELEVATION, SECTION AND DRIVE PIN DETAILS.
8. FOR DESIGN NOTES, CONSTRUCTION NOTES AND LEGEND REFER TO UMS 901.

ISSUE	AMENDMENT	DRAWN DATE	CHK'D DATE	APPR'D DATE
B	NOTE 8 ADDED	May '07	May '07	May '07
A	ORIGINAL ISSUE	May '06	June '06	Aug '06

DESIGN AUTHORISED FOR ISSUE				
P COTTON SIGNATURE ON ORIGINAL DATED 06/09/06				
MANAGER CITY ASSETS, R.P.E.Q. 2 5 4 6 DESIGN APPROVED				
V NASH SIGNATURE ON ORIGINAL				
SENIOR PROGRAM OFFICER - ROAD NETWORK				
DESIGN	STANDARDS WORKING GROUP	DATE	May '06	
DRAWN	CITY DESIGN	DATE	May '06	
CHECKED	D Maher	DATE	June '06	
DRAWING FILENAME	UMS 982			
ASSOCIATED PLANS	Supersedes UAPC-2			



**BRISBANE CITY COUNCIL - CITY POLICY & STRATEGY DIVISION**

ROAD NETWORK GUIDELINES PRECAST TRAFFIC ISLANDS CODES AND DETAILS		SCALE NOT TO SCALE
		DWG No. <b>UMS 982</b>
ORIGINAL SIZE A3	REVISION B	